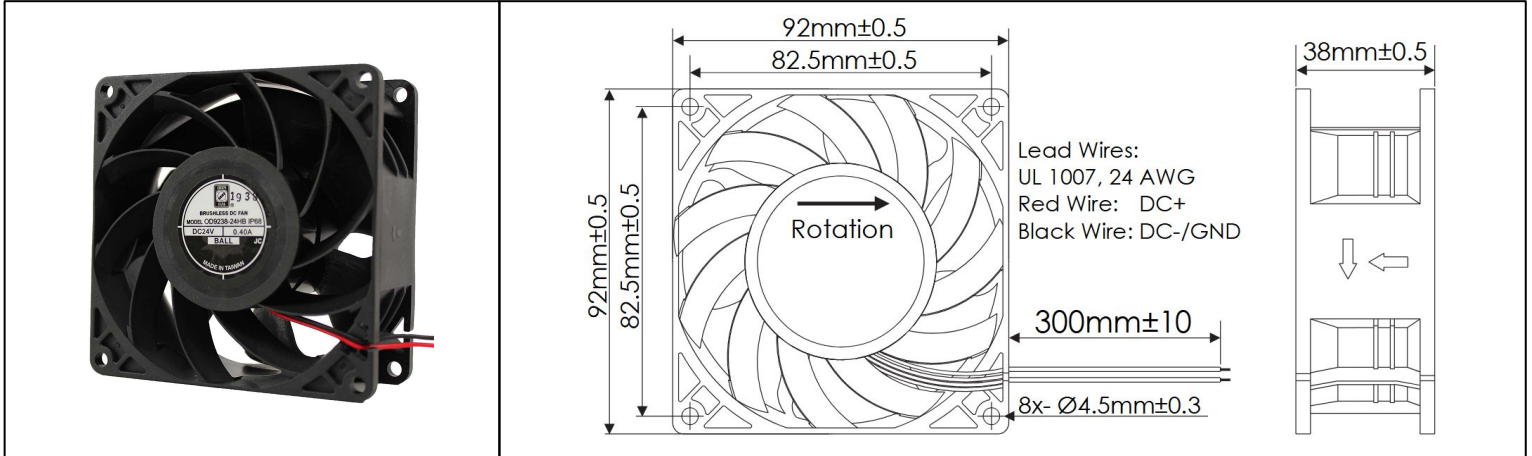


OD9238 Series



DC Fans - 12, 24, 48V
92mm x 38mm (3.62" x 1.5")



Frame	PBT, UL94 V-0 Plastic	Operating Temperature -20°C ~ +65°C Storage Temperature -20°C ~ +75°C Life Expectancy 60,000 Hours (L10 at 45°C) Available Options Tachometer Output Alarm Output PWM Speed Control Thermistor Speed Control IP Ratings Weight: 0.44 lbs	
Impeller	PBT, UL94 V-0 Plastic		
Connection	2x Lead Wires, 24 AWG		
Motor	Brushless DC, Auto Cutoff, Auto Restart, Polarity Protected, Electronically Protected		
Bearing System	Ball Bearings		
Dielectric Strength	500VDC/min, <5mA		
Insulation Resistance	≥10MΩ @ 500V DC		

Part Number	Rated Voltage (Volts DC)	Voltage Range (Volts DC)	Input Power (Watts)	Rated Current (Amps)	Rated Speed (RPM)	Max Airflow (CFM)	Noise Level (dBA)	Max Static Pressure ("H ₂ O)
OD9238-12HHB	12	10 ~ 13.8	18.2	1.5	5000	110	58.3	0.86
OD9238-12HB	12	10 ~ 13.8	12.1	1.0	4500	100	56.1	0.70
OD9238-12MB	12	10 ~ 13.8	9.7	0.8	4000	89	53.7	0.55
OD9238-12LB	12	10 ~ 13.8	7.2	0.6	3500	78	50.2	0.42
OD9238-24HHB	24	15 ~ 26	10.8	0.45	5000	110	58.3	0.86
OD9238-24HB	24	15 ~ 26	9.6	0.40	4500	100	56.1	0.70
OD9238-24MB	24	15 ~ 26	7.2	0.30	4000	89	53.7	0.55
OD9238-24LB	24	15 ~ 26	4.8	0.20	3500	78	50.2	0.42
OD9238-48HHB	48	28 ~ 52	14.4	0.30	5000	110	58.3	0.86
OD9238-48HB	48	28 ~ 52	12	0.25	4500	100	56.1	0.70
OD9238-48MB	48	28 ~ 52	9.6	0.20	4000	89	53.7	0.55
OD9238-48LB	48	28 ~ 52	7.2	0.15	3500	78	50.2	0.42