

The 5000 Series Expanded Beam Connector range provides a high performance and a simple termination process. This allows for a rapid in-field termination and repair where inserts and termination kits are available. Moreover, the newly designed cable management system prevents fibers and cable to be twisted and their corresponding performance loss.



Key Features:

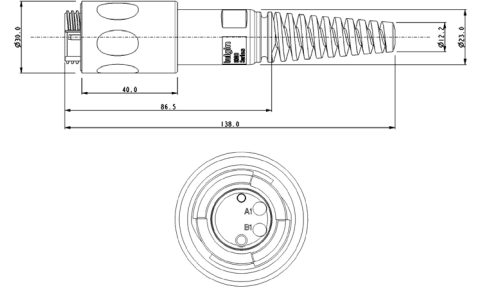
- Designed to MIL-DTL-83526D
- Compatible with any Connector that follows MIL-DTL-83526D
- Max Insertion Loss <2dB
Average Insertion Loss <1.5dB
- Rated to IP68
- Operating Temperature -50oC to +80oC (With Outdoor Tactical Cable)
- Available with 2 and 4 Channels
- Available with OM1 and OM3 Fiber Types
- Cable range from 1 to 450m
- Plug, Jam Nut, and Flange Mount Connector Body Options
- Plug to Plug, Plug to LC, and Plug to SC Cable Assembly Options Available
- Secure, proven locking system
- All plastic body version; UL94-V0 rated, UV stable, halogen free
Light-weight, self-extinguishing material suitable for long-term outdoor and defence use.

2 Channel Plug Connector



PXEB5200MM4045

- ⬡ Non-terminated Connector for a 2-Channel Cable
- ⬡ Compatible with OM1 & OM3
- ⬡ Dust Cap, Lanyard, & Ferrules (termini) for the Cable Included
- ⬡ Mates with Plug, Jam Nut, & Flange Mount Connectors (hermaphroditic)
- ⬡ 4.0mm – 6.0mm Cable Acceptance
- ⬡ Available in 4 Channels
- ⬡ Cable Assembly Available



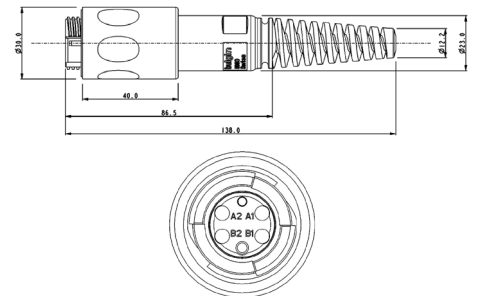
Part Number	Channels	Multimode / Singlemode	Fiber Type	Cable Acceptance
PXEB5200MM4045	2	Multimode	OM1 & OM3	4.0mm – 4.5mm
PXEB5200MM4550	2	Multimode	OM1 & OM3	4.5mm – 5.0mm
PXEB5200MM5055	2	Multimode	OM1 & OM3	5.0mm – 5.5mm
PXEB5200MM5560	2	Multimode	OM1 & OM3	5.5mm – 6.0mm

4 Channel Plug Connector



PXEB5400MM4045

- ⬡ Non-terminated Connector for a 4-Channel Cable
- ⬡ Compatible with OM1 & OM3
- ⬡ Dust Cap, Lanyard, & Ferrules (termini) for the Cable Included
- ⬡ Mates with Plug, Jam Nut, & Flange Mount Connectors (hermaphroditic)
- ⬡ 4.0mm – 6.0mm Cable Acceptance
- ⬡ Available in 2 Channels
- ⬡ Cable Assembly Available



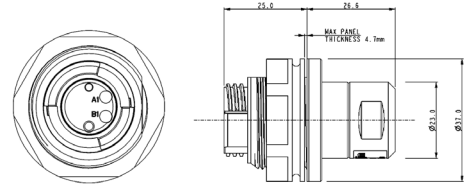
Part Number	Channels	Multimode / Singlemode	Fiber Type	Cable Acceptance
PXEB5400MM4045	4	Multimode	OM1 & OM3	4.0mm – 4.5mm
PXEB5400MM4550	4	Multimode	OM1 & OM3	4.5mm – 5.0mm
PXEB5400MM5055	4	Multimode	OM1 & OM3	5.0mm – 5.5mm
PXEB5400MM5560	4	Multimode	OM1 & OM3	5.5mm – 6.0mm

2 Channel Jam Nut Bulkhead Connector



PXEB5210MM

- Non-terminated Connector for 2 patch leads
- Compatible with OM1 & OM3
- Dust Cap, Lanyard, & Ferrules (termini) for the patch leads included
- Mates with Plug Connectors (hermaphroditic)
- Available in 4 Channels
- Cable Assembly Available
- Maximum Panel Thickness – 4.7mm



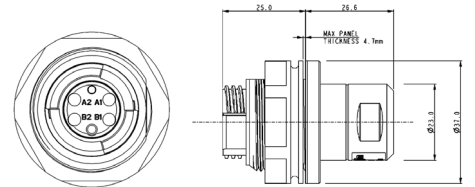
Part Number	Channels	Multimode / Singlemode	Fiber Type	Cable Acceptance
PXEB5210MM	2	Multimode	OM1 & OM3	N/A

4 Channel Jam Nut Bulkhead Connector



PXEB5410MM

- Non-terminated Connector for 4 patch leads
- Compatible with OM1 & OM3
- Dust Cap, Lanyard, & Ferrules (termini) for the patch leads included
- Mates with Plug Connectors (hermaphroditic)
- Available in 2 Channels
- Cable Assembly Available
- Maximum Panel Thickness – 4.7mm



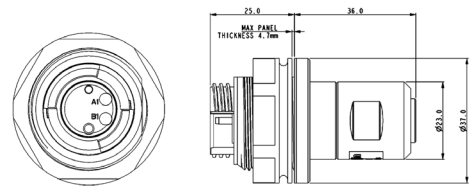
Part Number	Channels	Multimode / Singlemode	Fiber Type	Cable Acceptance
PXEB5410MM	4	Multimode	OM1 & OM3	N/A

2 Channel Jam Nut Bulkhead Connector with Cable Acceptance



PXEB5210MM4045

- Non-terminated Connector for a 2-Channel Cable
- Compatible with OM1 & OM3
- Dust Cap, Lanyard, & Ferrules (termini) for the Cable Included
- Mates with Plug Connectors (hermaphroditic)
- Available in 4 Channels
- Maximum Panel Thickness – 4.7mm



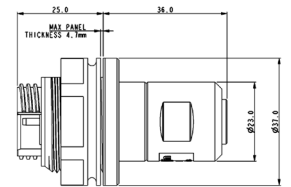
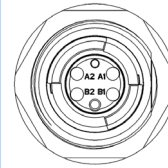
Part Number	Channels	Multimode / Singlemode	Fiber Type	Cable Acceptance
PXEB5210MM4045	2	Multimode	OM1 & OM3	4.0mm – 4.5mm
PXEB5210MM4550	2	Multimode	OM1 & OM3	4.5mm – 5.0mm
PXEB5210MM5055	2	Multimode	OM1 & OM3	5.0mm – 5.5mm
PXEB5210MM5560	2	Multimode	OM1 & OM3	5.5mm – 6.0mm

4 Channel Jam Nut Bulkhead Connector with Cable Acceptance



PXEB5410MM4550

- Non-terminated Connector for a 4-Channel Cable
- Compatible with OM1 & OM3
- Dust Cap, Lanyard, & Ferrules (termini) for the Cable Included
- Mates with Plug Connectors (hermaphroditic)
- Available in 2 Channels
- Maximum Panel Thickness – 4.7mm



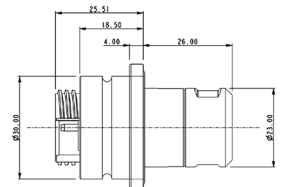
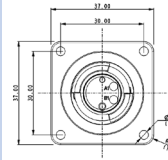
Part Number	Channels	Multimode / Singlemode	Fiber Type	Cable Acceptance
PXEB5410MM4045	4	Multimode	OM1 & OM3	4.0mm – 4.5mm
PXEB5410MM4550	4	Multimode	OM1 & OM3	4.5mm – 5.0mm
PXEB5410MM5055	4	Multimode	OM1 & OM3	5.0mm – 5.5mm
PXEB5410MM5560	4	Multimode	OM1 & OM3	5.5mm – 6.0mm

2 Channel Flange Mount Bulkhead Connector



PXEB5220MM

- Non-terminated Connector for 2 patch leads
- Compatible with OM1 & OM3
- Dust Cap, Lanyard, & Ferrules (termini) for the patch leads included
- Mates with Plug Connectors (hermaphroditic)
- Available in 4 Channels



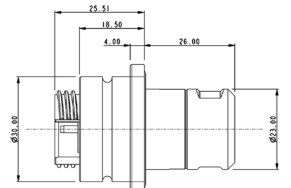
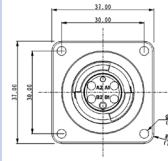
Part Number	Channels	Multimode / Singlemode	Fiber Type	Cable Acceptance
PXEB5220MM	2	Multimode	OM1 & OM3	N/A

4 Channel Flange Mount Bulkhead Connector



PXEB5420MM

- Non-terminated Connector for 4 patch leads
- Compatible with OM1 & OM3
- Dust Cap, Lanyard, & Ferrules (termini) for the patch leads included
- Mates with Plug Connectors (hermaphroditic)
- Available in 2 Channels



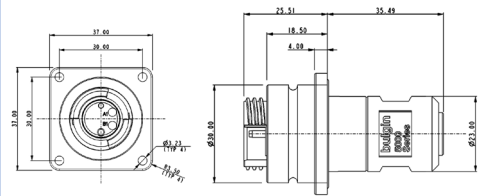
Part Number	Channels	Multimode / Singlemode	Fiber Type	Cable Acceptance
PXEB5420MM	4	Multimode	OM1 & OM3	N/A

2 Channel Flange Mount Bulkhead Connector with Cable Acceptance



PXEB5220MM4045

- Non-terminated Connector for a 2-Channel Cable
- Compatible with OM1 & OM3
- Dust Cap, Lanyard, & Ferrules (termini) for the Cable Included
- Mates with Plug Connectors (hermaphroditic)
- Available in 4 Channels
- Maximum Panel Thickness – 4.7mm



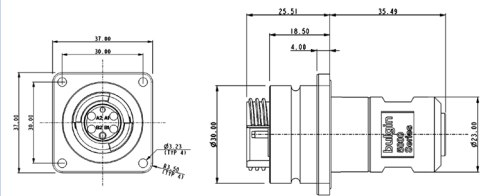
Part Number	Channels	Multimode / Singlemode	Fiber Type	Cable Acceptance
PXEB5220MM4045	2	Multimode	OM1 & OM3	4.0mm – 4.5mm
PXEB5220MM4550	2	Multimode	OM1 & OM3	4.5mm – 5.0mm
PXEB5220MM5055	2	Multimode	OM1 & OM3	5.0mm – 5.5mm
PXEB5220MM5560	2	Multimode	OM1 & OM3	5.5mm – 6.0mm

4 Channel Flange Mount Bulkhead Connector with Cable Acceptance



PXEB5420MM4550

- Non-terminated Connector for a 4-Channel Cable
- Compatible with OM1 & OM3
- Dust Cap, Lanyard, & Ferrules (termini) for the Cable Included
- Mates with Plug Connectors (hermaphroditic)
- Available in 2 Channels



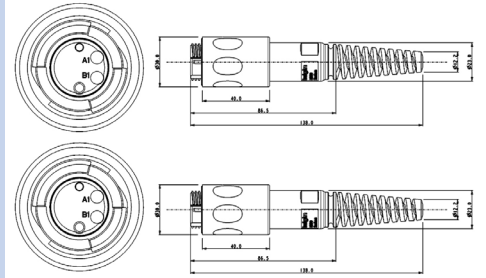
Part Number	Channels	Multimode / Singlemode	Fiber Type	Cable Acceptance
PXEB5420MM4045	4	Multimode	OM1 & OM3	4.0mm – 4.5mm
PXEB5420MM4550	4	Multimode	OM1 & OM3	4.5mm – 5.0mm
PXEB5420MM5055	4	Multimode	OM1 & OM3	5.0mm – 5.5mm
PXEB5420MM5560	4	Multimode	OM1 & OM3	5.5mm – 6.0mm

2 Channel Plug to Plug Connector
Cable Assembly



PXEB5201B005

- Two-terminated Plug Connectors with a 2-Channel Outdoor Tactical Cable
- OM1 or OM3 Fiber Type Options
- 5 – 450m Cable Length Options
- Dust Cap & Lanyard included for each Connector
- Mates with Plug, Jam Nut, & Flange Mount Connectors (hermaphroditic)
- Available in 4 Channels
- Available in Plug to LC & Plug to SC Cable Assembly



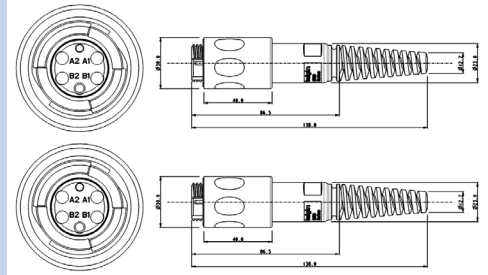
Part Number	Channels	Multimode / Singlemode	Fiber Type	Cable Length	Termination
PXEB5201B005	2	Multimode	OM1	5m	Plug to Plug
PXEB5201C005	2	Multimode	OM3	5m	Plug to Plug
PXEB5201B010	2	Multimode	OM1	10m	Plug to Plug
PXEB5201C010	2	Multimode	OM3	10m	Plug to Plug
PXEB5201B015	2	Multimode	OM1	15m	Plug to Plug
PXEB5201C015	2	Multimode	OM3	15m	Plug to Plug
PXEB5201B025	2	Multimode	OM1	25m	Plug to Plug
PXEB5201C025	2	Multimode	OM3	25m	Plug to Plug
PXEB5201B050	2	Multimode	OM1	50m	Plug to Plug
PXEB5201C050	2	Multimode	OM3	50m	Plug to Plug
PXEB5201B100	2	Multimode	OM1	100m	Plug to Plug
PXEB5201C100	2	Multimode	OM3	100m	Plug to Plug
PXEB5201B200	2	Multimode	OM1	200m	Plug to Plug
PXEB5201C200	2	Multimode	OM3	200m	Plug to Plug
PXEB5201B300	2	Multimode	OM1	300m	Plug to Plug
PXEB5201C300	2	Multimode	OM3	300m	Plug to Plug
PXEB5201B450	2	Multimode	OM1	450m	Plug to Plug
PXEB5201C450	2	Multimode	OM3	450m	Plug to Plug

4 Channel Plug to Plug Connector
Cable Assembly



PXEB5401B005

- Two-terminated Plug Connectors with a 4-Channel Outdoor Tactical Cable
- OM1 or OM3 Fiber Type Options
- 5 – 450m Cable Length Options
- Dust Cap & Lanyard included for each Connector
- Mates with Plug, Jam Nut, & Flange Mount Connectors (hermaphroditic)
- Available in 2 Channels
- Available in Plug to LC & Plug to SC Cable Assembly



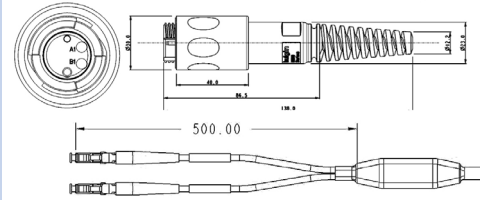
Part Number	Channels	Multimode / Singlemode	Fiber Type	Cable Length	Termination
PXEB5401B005	4	Multimode	OM1	5m	Plug to Plug
PXEB5401C005	4	Multimode	OM3	5m	Plug to Plug
PXEB5401B010	4	Multimode	OM1	10m	Plug to Plug
PXEB5401C010	4	Multimode	OM3	10m	Plug to Plug
PXEB5401B015	4	Multimode	OM1	15m	Plug to Plug
PXEB5401C015	4	Multimode	OM3	15m	Plug to Plug
PXEB5401B025	4	Multimode	OM1	25m	Plug to Plug
PXEB5401C025	4	Multimode	OM3	25m	Plug to Plug
PXEB5401B050	4	Multimode	OM1	50m	Plug to Plug
PXEB5401C050	4	Multimode	OM3	50m	Plug to Plug
PXEB5401B100	4	Multimode	OM1	100m	Plug to Plug
PXEB5401C100	4	Multimode	OM3	100m	Plug to Plug
PXEB5401B200	4	Multimode	OM1	200m	Plug to Plug
PXEB5401C200	4	Multimode	OM3	200m	Plug to Plug
PXEB5401B300	4	Multimode	OM1	300m	Plug to Plug
PXEB5401C300	4	Multimode	OM3	300m	Plug to Plug
PXEB5401B450	4	Multimode	OM1	450m	Plug to Plug
PXEB5401C450	4	Multimode	OM3	450m	Plug to Plug

2 Channel Plug to LC Connector
Cable Assembly



PXEB5202B005

- A Terminated Plug Connector with a 2-Channel Outdoor Tactical Cable that breaks out in 2 independent cables (0.5m long) with LC Terminations
- OM1 or OM3 Fiber Type Options
- 5 – 450m Cable Length Options
- Dust Caps for all Connectors & Plug Lanyard included
- Mates with Plug, Jam Nut, & Flange Mount Connectors (hermaphroditic)
- Available in 4 Channels
- Available in Plug to Plug & Plug to SC Cable Assembly



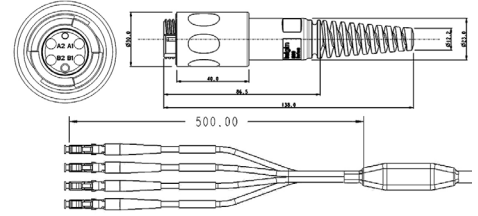
Part Number	Channels	Multimode / Singlemode	Fiber Type	Cable Length	Termination
PXEB5202B005	2	Multimode	OM1	5m	Plug to LC
PXEB5202C005	2	Multimode	OM3	5m	Plug to LC
PXEB5202B010	2	Multimode	OM1	10m	Plug to LC
PXEB5202C010	2	Multimode	OM3	10m	Plug to LC
PXEB5202B015	2	Multimode	OM1	15m	Plug to LC
PXEB5202C015	2	Multimode	OM3	15m	Plug to LC
PXEB5202B025	2	Multimode	OM1	25m	Plug to LC
PXEB5202C025	2	Multimode	OM3	25m	Plug to LC
PXEB5202B050	2	Multimode	OM1	50m	Plug to LC
PXEB5202C050	2	Multimode	OM3	50m	Plug to LC
PXEB5202B100	2	Multimode	OM1	100m	Plug to LC
PXEB5202C100	2	Multimode	OM3	100m	Plug to LC
PXEB5202B200	2	Multimode	OM1	200m	Plug to LC
PXEB5202C200	2	Multimode	OM3	200m	Plug to LC
PXEB5202B300	2	Multimode	OM1	300m	Plug to LC
PXEB5202C300	2	Multimode	OM3	300m	Plug to LC
PXEB5202B450	2	Multimode	OM1	450m	Plug to LC
PXEB5202C450	2	Multimode	OM3	450m	Plug to LC

4 Channel Plug to LC Connector
Cable Assembly



PXEB5402B005

- A Terminated Plug Connector with a 4-Channel Outdoor Tactical Cable that breaks out in 4 independent cables (0.5m long) with LC Terminations
- OM1 or OM3 Fiber Type Options
- 5 – 450m Cable Length Options
- Dust Caps for all Connectors & Plug Lanyard included
- Mates with Plug, Jam Nut, & Flange Mount Connectors (hermaphroditic)
- Available in 2 Channels
- Available in Plug to Plug & Plug to SC Cable Assembly



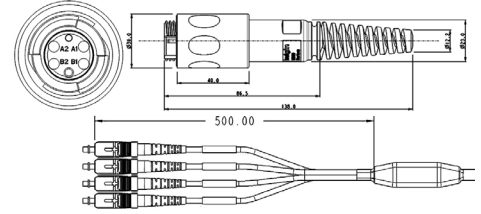
Part Number	Channels	Multimode / Singlemode	Fiber Type	Cable Length	Termination
PXEB5402B005	4	Multimode	OM1	5m	Plug to LC
PXEB5402C005	4	Multimode	OM3	5m	Plug to LC
PXEB5402B010	4	Multimode	OM1	10m	Plug to LC
PXEB5402C010	4	Multimode	OM3	10m	Plug to LC
PXEB5402B015	4	Multimode	OM1	15m	Plug to LC
PXEB5402C015	4	Multimode	OM3	15m	Plug to LC
PXEB5402B025	4	Multimode	OM1	25m	Plug to LC
PXEB5402C025	4	Multimode	OM3	25m	Plug to LC
PXEB5402B050	4	Multimode	OM1	50m	Plug to LC
PXEB5402C050	4	Multimode	OM3	50m	Plug to LC
PXEB5402B100	4	Multimode	OM1	100m	Plug to LC
PXEB5402C100	4	Multimode	OM3	100m	Plug to LC
PXEB5402B200	4	Multimode	OM1	200m	Plug to LC
PXEB5402C200	4	Multimode	OM3	200m	Plug to LC
PXEB5402B300	4	Multimode	OM1	300m	Plug to LC
PXEB5402C300	4	Multimode	OM3	300m	Plug to LC
PXEB5402B450	4	Multimode	OM1	450m	Plug to LC
PXEB5402C450	4	Multimode	OM3	450m	Plug to LC

4 Channel Plug to SC Connector
Cable Assembly



PXEB5403B005

- A Terminated Plug Connector with a 4-Channel Outdoor Tactical Cable that breaks out in 4 independent cables (0.5m long) with SC Terminations
- OM1 or OM3 Fiber Type Options
- 5 – 450m Cable Length Options
- Dust Caps for all Connectors & Plug Lanyard included
- Mates with Plug, Jam Nut, & Flange Mount Connectors (hermaphroditic)
- Available in 2 Channels
- Available in Plug to Plug & Plug to LC Cable Assembly



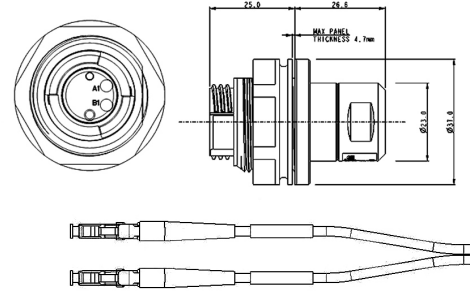
Part Number	Channels	Multimode / Singlemode	Fiber Type	Cable Length	Termination
PXEB5403B005	4	Multimode	OM1	5m	Plug to SC
PXEB5403C005	4	Multimode	OM3	5m	Plug to SC
PXEB5403B010	4	Multimode	OM1	10m	Plug to SC
PXEB5403C010	4	Multimode	OM3	10m	Plug to SC
PXEB5403B015	4	Multimode	OM1	15m	Plug to SC
PXEB5403C015	4	Multimode	OM3	15m	Plug to SC
PXEB5403B025	4	Multimode	OM1	25m	Plug to SC
PXEB5403C025	4	Multimode	OM3	25m	Plug to SC
PXEB5403B050	4	Multimode	OM1	50m	Plug to SC
PXEB5403C050	4	Multimode	OM3	50m	Plug to SC
PXEB5403B100	4	Multimode	OM1	100m	Plug to SC
PXEB5403C100	4	Multimode	OM3	100m	Plug to SC
PXEB5403B200	4	Multimode	OM1	200m	Plug to SC
PXEB5403C200	4	Multimode	OM3	200m	Plug to SC
PXEB5403B300	4	Multimode	OM1	300m	Plug to SC
PXEB5403C300	4	Multimode	OM3	300m	Plug to SC
PXEB5403B450	4	Multimode	OM1	450m	Plug to SC
PXEB5403C450	4	Multimode	OM3	450m	Plug to SC

2 Channel Jam Nut to LC Connector
Cable Assembly



PXEB5212B001

- A Terminated Jam Nut Bulkhead (JNBH) Connector with 2 LC terminated independent cables
- OM1 or OM3 Fiber Type Options
- 1, 2 & 5m Cable Length Options
- Dust Caps for all Connectors & Jam Nut Lanyard included
- Mates with Plug Connectors (hermaphroditic)
- Maximum Panel Thickness – 4.7mm
- Available in 4 Channels
- Available in Jam Nut to SC Cable Assembly



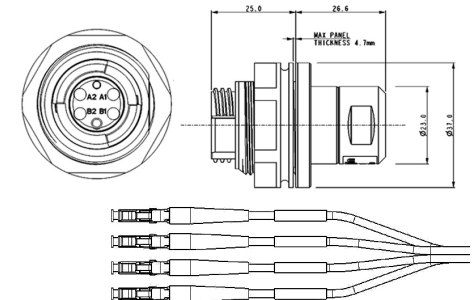
Part Number	Channels	Multimode / Singlemode	Fiber Type	Cable Length	Termination
PXEB5212B001	2	Multimode	OM1	1m	JNBH to LC
PXEB5212C001	2	Multimode	OM3	1m	JNBH to LC
PXEB5212B002	2	Multimode	OM1	2m	JNBH to LC
PXEB5212C002	2	Multimode	OM3	2m	JNBH to LC
PXEB5212B005	2	Multimode	OM1	5m	JNBH to LC
PXEB5212C005	2	Multimode	OM3	5m	JNBH to LC

4 Channel Jam Nut to LC Connector
Cable Assembly



PXEB5412B001

- A Terminated Jam Nut Bulkhead (JNBH) Connector with 4 LC terminated independent cables
- OM1 or OM3 Fiber Type Options
- 1, 2 & 5m Cable Length Options
- Dust Caps for all Connectors & Jam Nut Lanyard included
- Mates with Plug Connectors (hermaphroditic)
- Maximum Panel Thickness – 4.7mm
- Available in 2 Channels
- Available in Jam Nut to SC Cable Assembly



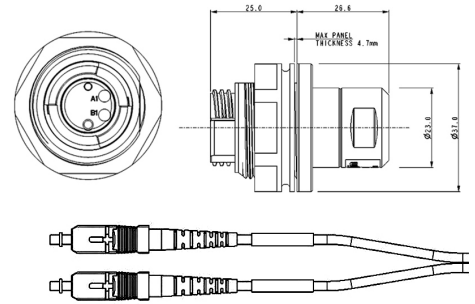
Part Number	Channels	Multimode / Singlemode	Fiber Type	Cable Length	Termination
PXEB5412B001	4	Multimode	OM1	1m	JNBH to LC
PXEB5412C001	4	Multimode	OM3	1m	JNBH to LC
PXEB5412B002	4	Multimode	OM1	2m	JNBH to LC
PXEB5412C002	4	Multimode	OM3	2m	JNBH to LC
PXEB5412B005	4	Multimode	OM1	5m	JNBH to LC
PXEB5412C005	4	Multimode	OM3	5m	JNBH to LC

2 Channel Jam Nut to SC Connector
Cable Assembly



PXEB5213B001

- A Terminated Jam Nut Bulkhead (JNBH) Connector with 2 SC terminated independent cables
- OM1 or OM3 Fiber Type Options
- 1, 2 & 5m Cable Length Options
- Dust Caps for all Connectors & Jam Nut Lanyard included
- Mates with Plug Connectors (hermaphroditic)
- Maximum Panel Thickness – 4.7mm
- Available in 4 Channels
- Available in Jam Nut to LC Cable Assembly



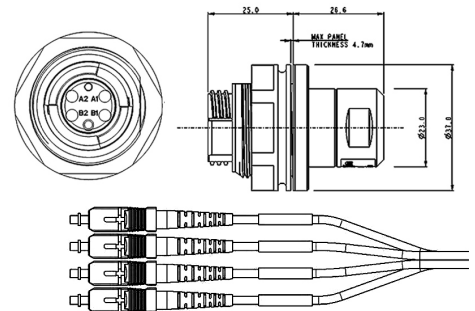
Part Number	Channels	Multimode / Singlemode	Fiber Type	Cable Length	Termination
PXEB5213B001	2	Multimode	OM1	1m	JNBH to SC
PXEB5213C001	2	Multimode	OM3	1m	JNBH to SC
PXEB5213B002	2	Multimode	OM1	2m	JNBH to SC
PXEB5213C002	2	Multimode	OM3	2m	JNBH to SC
PXEB5213B005	2	Multimode	OM1	5m	JNBH to SC
PXEB5213C005	2	Multimode	OM3	5m	JNBH to SC

4 Channel Jam Nut to SC Connector
Cable Assembly



PXEB5413B001

- A Terminated Jam Nut Bulkhead (JNBH) Connector with 4 SC terminated independent cables
- OM1 or OM3 Fiber Type Options
- 1, 2 & 5m Cable Length Options
- Dust Caps for all Connectors & Jam Nut Lanyard included
- Mates with Plug Connectors (hermaphroditic)
- Maximum Panel Thickness – 4.7mm
- Available in 2 Channels
- Available in Jam Nut to LC Cable Assembly



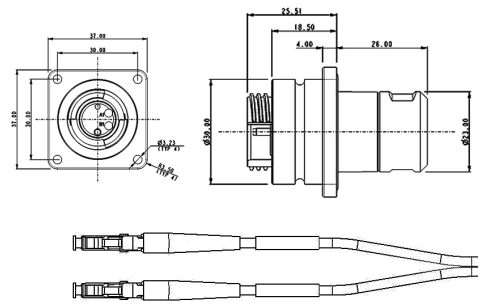
Part Number	Channels	Multimode / Singlemode	Fiber Type	Cable Length	Termination
PXEB5413B001	4	Multimode	OM1	1m	JNBH to SC
PXEB5413C001	4	Multimode	OM3	1m	JNBH to SC
PXEB5413B002	4	Multimode	OM1	2m	JNBH to SC
PXEB5413C002	4	Multimode	OM3	2m	JNBH to SC
PXEB5413B005	4	Multimode	OM1	5m	JNBH to SC
PXEB5413C005	4	Multimode	OM3	5m	JNBH to SC

2 Channel Flange Mount to LC Connector
Cable Assembly



PXE5222B001

- A Terminated Flange Mount Bulkhead (FMBH) Connector with 2 LC terminated independent cables
- OM1 or OM3 Fiber Type Options
- 1, 2 & 5m Cable Length Options
- Dust Caps for all Connectors & Flange Mount Lanyard included
- Mates with Plug Connectors (hermaphroditic)
- Available in 4 Channels
- Available in Jam Nut to SC Cable Assembly



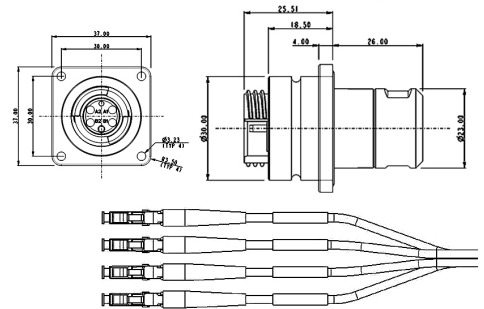
Part Number	Channels	Multimode / Singlemode	Fiber Type	Cable Length	Termination
PXE5222B001	2	Multimode	OM1	1m	FMBH to LC
PXE5222C001	2	Multimode	OM3	1m	FMBH to LC
PXE5222B002	2	Multimode	OM1	2m	FMBH to LC
PXE5222C002	2	Multimode	OM3	2m	FMBH to LC
PXE5222B005	2	Multimode	OM1	5m	FMBH to LC
PXE5222C005	2	Multimode	OM3	5m	FMBH to LC

4 Channel Flange Mount to LC Connector
Cable Assembly



PXE5422B001

- A Terminated Flange Mount Bulkhead (FMBH) Connector with 4 LC terminated independent cables
- OM1 or OM3 Fiber Type Options
- 1, 2 & 5m Cable Length Options
- Dust Caps for all Connectors & Flange Mount Lanyard included
- Mates with Plug Connectors (hermaphroditic)
- Available in 2 Channels
- Available in Jam Nut to SC Cable Assembly



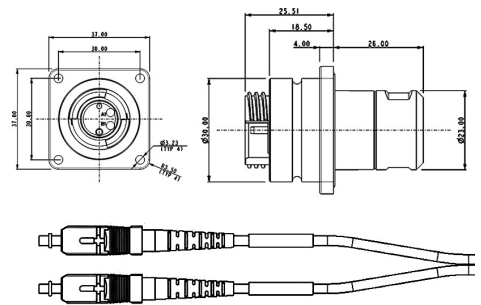
Part Number	Channels	Multimode / Singlemode	Fiber Type	Cable Length	Termination
PXE5422B001	4	Multimode	OM1	1m	FMBH to LC
PXE5422C001	4	Multimode	OM3	1m	FMBH to LC
PXE5422B002	4	Multimode	OM1	2m	FMBH to LC
PXE5422C002	4	Multimode	OM3	2m	FMBH to LC
PXE5422B005	4	Multimode	OM1	5m	FMBH to LC
PXE5422C005	4	Multimode	OM3	5m	FMBH to LC

2 Channel Flange Mount to SC Connector
Cable Assembly



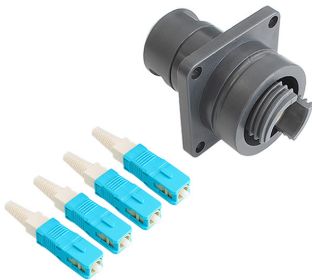
PXE5223B001

- A Terminated Flange Mount Bulkhead (FMBH) Connector with 2 SC terminated independent cables
- OM1 or OM3 Fiber Type Options
- 1, 2 & 5m Cable Length Options
- Dust Caps for all Connectors & Flange Mount Lanyard included
- Mates with Plug Connectors (hermaphroditic)
- Available in 4 Channels
- Available in Jam Nut to LC Cable Assembly



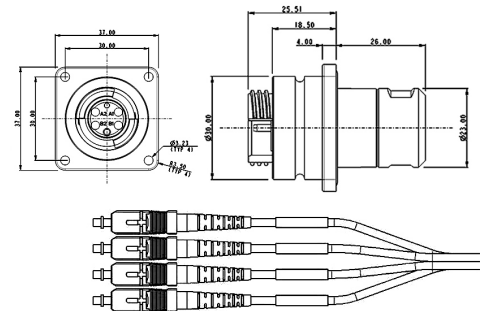
Part Number	Channels	Multimode / Singlemode	Fiber Type	Cable Length	Termination
PXE5223B001	2	Multimode	OM1	1m	FMBH to SC
PXE5223C001	2	Multimode	OM3	1m	FMBH to SC
PXE5223B002	2	Multimode	OM1	2m	FMBH to SC
PXE5223C002	2	Multimode	OM3	2m	FMBH to SC
PXE5223B005	2	Multimode	OM1	5m	FMBH to SC
PXE5223C005	2	Multimode	OM3	5m	FMBH to SC

4 Channel Flange Mount to SC Connector
Cable Assembly



PXE5423B001

- A Terminated Flange Mount Bulkhead (FMBH) Connector with 4 SC terminated independent cables
- OM1 or OM3 Fiber Type Options
- 1, 2 & 5m Cable Length Options
- Dust Caps for all Connectors & Flange Mount Lanyard included
- Mates with Plug Connectors (hermaphroditic)
- Available in 2 Channels
- Available in Jam Nut to LC Cable Assembly



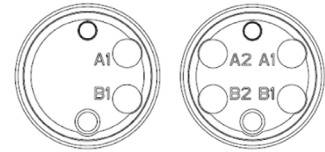
Part Number	Channels	Multimode / Singlemode	Fiber Type	Cable Length	Termination
PXE5423B001	4	Multimode	OM1	1m	FMBH to SC
PXE5423C001	4	Multimode	OM3	1m	FMBH to SC
PXE5423B002	4	Multimode	OM1	2m	FMBH to SC
PXE5423C002	4	Multimode	OM3	2m	FMBH to SC
PXE5423B005	4	Multimode	OM1	5m	FMBH to SC
PXE5423C005	4	Multimode	OM3	5m	FMBH to SC

Channel Inserts



PXEB5280

- Allows Plug, Jam Nut & Flange Mount to be re-terminated with 2 or 4 Channel Insert
- Ferrules (termini) included to terminate the Fiber



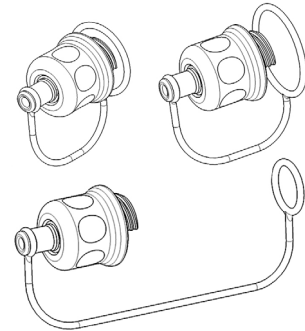
Part No	Description
PXEB5280	2 Channel Expanded Beam Insert Assembly
PXEB5480	4 Channel Expanded Beam Insert Assembly

Dust Caps



PXEB5080

- Dust Caps do not have an effect on IP68 rating as Plug, Jam Nut & Flange Mount Bulkhead are sealed without the Dust Cap
- Lanyard Included
- Different Lanyard for different Connectors but same Dust Cap



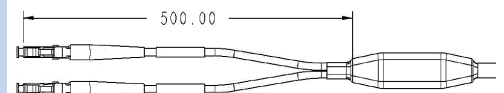
Part No	Description
PXEB5080	Dust Cap for Plug
PXEB5081	Dust Cap for Jam Nut Bulkhead
PXEB5082	Dust Cap for Flange Mount Bulkhead

LC & SC Termination Kit



PXEB5088

- Kit to terminate Plug & Jam Nut with Cable Acceptance Connector
- The kit includes: breakout tube parts, heat shrink cover, 500mm furcation tubes, & LC or SC Connectors
- Potting Compound is sold separately (PXEB5079)
- Beige - OM1
- Aqua - OM3



Part No	Cable Diameter	Description
PXEB5084	4-5mm	2 Channel Termination Kit (4-5mm) with LC (OM1)
PXEB5085	4-5mm	4 Channel Termination Kit (4-5mm) with LC (OM1)
PXEB5086	4-5mm	2 Channel Termination Kit (4-5mm) with SC (OM1)
PXEB5087	4-5mm	4 Channel Termination Kit (4-5mm) with SC (OM1)
PXEB5088	4-5mm	2 Channel Termination Kit (4-5mm) with LC (OM3)
PXEB5089	4-5mm	4 Channel Termination Kit (4-5mm) with LC (OM3)
PXEB5090	4-5mm	2 Channel Termination Kit (4-5mm) with SC (OM3)
PXEB5091	4-5mm	4 Channel Termination Kit (4-5mm) with SC (OM3)
PXEB5092	5-6mm	2 Channel Termination Kit (5-6mm) with LC (OM1)
PXEB5093	5-6mm	4 Channel Termination Kit (5-6mm) with LC (OM1)
PXEB5094	5-6mm	2 Channel Termination Kit (5-6mm) with SC (OM1)
PXEB5095	5-6mm	4 Channel Termination Kit (5-6mm) with SC (OM1)
PXEB5096	5-6mm	2 Channel Termination Kit (5-6mm) with LC (OM3)
PXEB5097	5-6mm	4 Channel Termination Kit (5-6mm) with LC (OM3)
PXEB5098	5-6mm	2 Channel Termination Kit (5-6mm) with SC (OM3)
PXEB5099	5-6mm	4 Channel Termination Kit (5-6mm) with SC (OM3)

Fiber Cable Crimp Tool



PXEB5083

- For terminating the Inner & Outer Crimp to the Fiber Cable
- Necessary for fixing the Cable to the Plug, Jam Nut & Flange Mount Bulkhead Connectors
- Die Set included

Part No

Description

PXEB5083

Cable Crimp Tool for Plug, Jam Nut & Flange Mount Bulkhead Connectors

Potting Compound



PXEB5079

- Potting Compound for use with Termination Kits
- Standard Cartridge that fits standard guns - 50ml
- Place 4ml inside the Breakout body through the two holes in the lid

Part No

Description

PXEB5079

Potting Compound for Breakout Termination

1ml Matching Index Gel Syringe



PXEB5078

- Matching Index Gel to improve the performance of Plug, Jam Nut & Flange Mount Connector
- A drop to be applied at the end of each ferrule (termini) that goes into the Expanded Beam Connector
- Refractive Index 1.71

Part No

Description

PXEB5078

1ml Matching Index Gel Syringe

Mechanical:

Sealing:	IP68, EN60529: 1992+ A2:2013
Panel Mount Nut:	1,0-1, 1Nm (91lb.in)
Operating temperature:	-50°C to +80°C
Salt Mist:	EN60068-2-52 Test Kb Salt Mist (Cyclic) Marine Severity Level 1

Material:

Body Mouldings:	Polyamide
Flammability Rating:	UL94v-0
UV Resistance:	To EN 500021:1999
O Rings:	Silicone
Panel Sealing O Ring:	Silicone
RoHS	Compliant

Plug Connector Designed to MIL-DTL-83525/20C specifications
 Jam Nut Connector Designed to MIL-DTL-83525/21C specifications

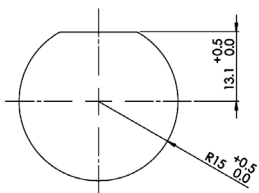
Optical:

IEC 61753-1:	
Max Insertion Loss:	<2dB
AVG Insertion Loss:	<1.5dB

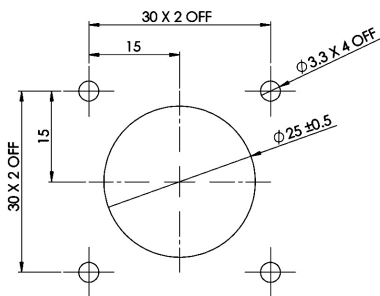
2 Channel Termination Table:	P1 Connector Channel:	Fiber Colour:	P2 Connector Channel:
	A1	BLUE	B1
	B1	ORANGE	A1

4 Channel Termination Table:	P1 Connector Channel:	Fiber Colour:	P2 Connector Channel:
	A1	BLUE	B1
	B1	ORANGE	A1
	A2	GREEN	B2
	B2	BROWN	A2

Jam Nut Bulkhead Panel Mount Cut out:



Flange Mount Bulkhead Panel Mount Cut out:



OM1

Item:	Detail:	Specification:
Fiber:	Type Channels	62.5um/125um (OM1) 2 or 4
Channel Diameter:	Dimension	62.5um
Cladding Diameter:	Dimension	125um
Buffer:	Construction Material Diameter	Tight Nylon 0.9mm
Outer Jacket:	Material Colour Outer Diameter Ripcord	PUR Black 5.4mm (2 Channel) 5.8mm (4 Channel) 1
Max Attenuation:	at 850nm at 1300nm	3.4dB/km 1.2dB/km
Temperature Range:	Operating Temp Installation Temp Storage Temp	-70 °C to +85 °C -5 °C to +50 °C -70 °C to +85 °C
Cable Min. Bend Radius Installation (Short Term)	IEC 60794-1-21-E6	43.2 mm
Cable Min. Bend Radius Operation (Long Term)	IEC 60794-1-21-E11	21.6 mm
Cable Max. Tensile Strength Installation (Short Term)	IEC 60794-1-21-E1	400 N (90 lbf)
Cable Max. Crush Resistance Installation (Short Term)	IEC 60794-1-21-E3	5 kN/m
Cable Max. Crush Resistance Operation (Long Term)	IEC 60794-1-21-E3	3 kN/m
Standards:	UL Rating/Flame Test REACH IEC Compliance EU Directive 2011/65/EU (RoHS 2) UV/ Sunlight Protection	Non-UL Rated Compliant IEC 60794 Compliant Yes

OM3

Item:	Detail:	Specification:
Fiber:	Type Count	50um/125um (OM3) 2 or 4
Channel Diameter: Cladding Diameter:	Dimension Dimension	50um 125um
Buffer:	Construction Material Diameter	Tight Nylon (2 Channel) Polyamide (4 Channel) 0.9mm
Outer Jacket:	Material Colour Outer Diameter Ripcord	PUR Black 5.4mm (2 Channel) 5.8mm (4 Channel) 1
Max Attenuation:	at 850nm at 1300nm	2.9dB/ km 1.0dB/km
Temperature Range:	Operating Temp Installation Temp Storage Temp	-70 °C to +85 °C (2 Channel) -55 °C to +85 °C (4 Channel) -5 °C to +50 °C (2 Channel) -15 °C to +50 °C (4 Channel) -70 °C to +85 °C (2 Channel) -30 °C to +70 °C (4 Channel)
Cable Min. Bend Radius Installation (Short Term)	IEC 60794-1-21-E6	43.2 mm (2 Channel) 46.4 mm (4 Channel)
Cable Min. Bend Radius Operation (Long Term)	IEC 60794-1-21-E11	21.6 mm (2 Channel) 23.2 mm (4 Channel)
Cable Max. Tensile Strength Installation (Short Term)	IEC 60794-1-21-E1	400 N (90 lbf)
Cable Max. Crush Resistance Installation (Short Term)	IEC 60794-1-21-E3	5 kN/m
Cable Max. Crush Resistance Operation (Long Term)	IEC 60794-1-21-E3	3 kN/m
Standards:	UL Rating/Flame Test REACH IEC Compliance EU Directive 2011/65/EU (RoHS 2) UV/ Sunlight Protection	Non-UL Rated Compliant IEC 60794 Compliant Yes