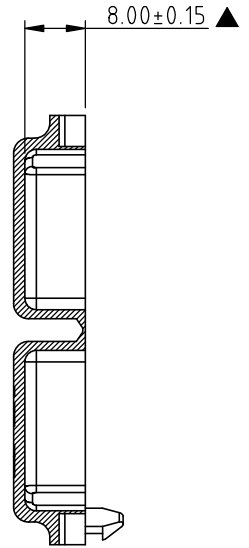
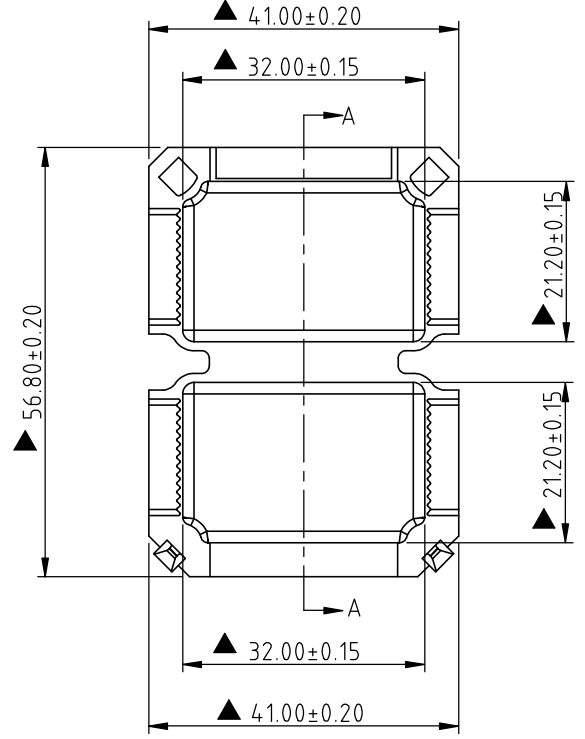
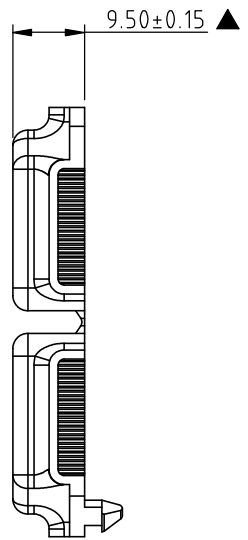
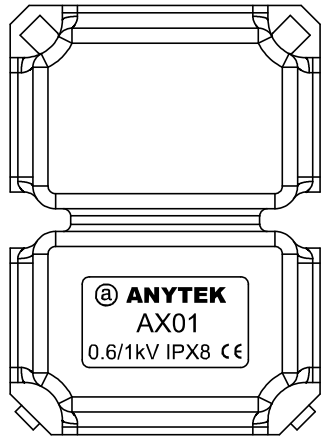


RoHS Compliant

REV	SIGN	DATE	DESCRIPTION	APPROVER
A0		2021.01.07	Initial Release	LENA

THIS IS CAD DRAWING, DO NOT REVISE MANUALLY!!!



Section A-A

Part No. AX0100x00000G

Small Size ————
 Color: ————
 RoHS compliant (lead<4%)
 In copper Alloy

Notes:
 1.Rated Voltage : IEC 50393 0.6/1kV
 2.Operation Temperature : -40℃~+50℃.

- 0 Black (RAL9005)
- 2 Red (RAL3001/D)
- 3 Orange(RAL2011/P)
- 4 Yellow(RAL1018/A)
- 5 Green(RAL6018/T)
- 6 Blue (RAL5015/A)
- 8 Grey(RAL7004)
- 9 White(RAL1102)
- C Multiple Colors

Amphenol ANYTEK				CUSTOMER COPY	
ALL RIGHTS RESERVED. REPRODUCTION OR ISSUE TO THIRD PARTIES IN ANY FORM WHATSOEVER IS NOT PERMITTED WITHOUT WRITTEN AUTHORITY FROM THE PROPRIETOR. PROPERTY OF ANYTEK TECHNOLOGY CO., LTD					
TITLE	AX01 Series ,waterproof box,small size				
PART NO.	AX0100x00000G	DWG NO.	8AX0001		
APPROVED	CHECKED	DESIGNED	DRAWN	CUST NO.	Tolerance
		LENA 2021.01.07	LENA 2021.01.07		X. ±0.50
					X.X ±0.30
					X.XX ±0.10
				SHEET: 01/01	REV: A0