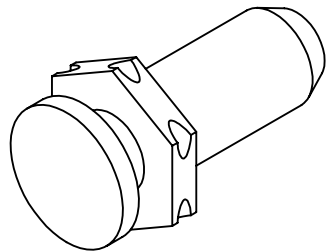
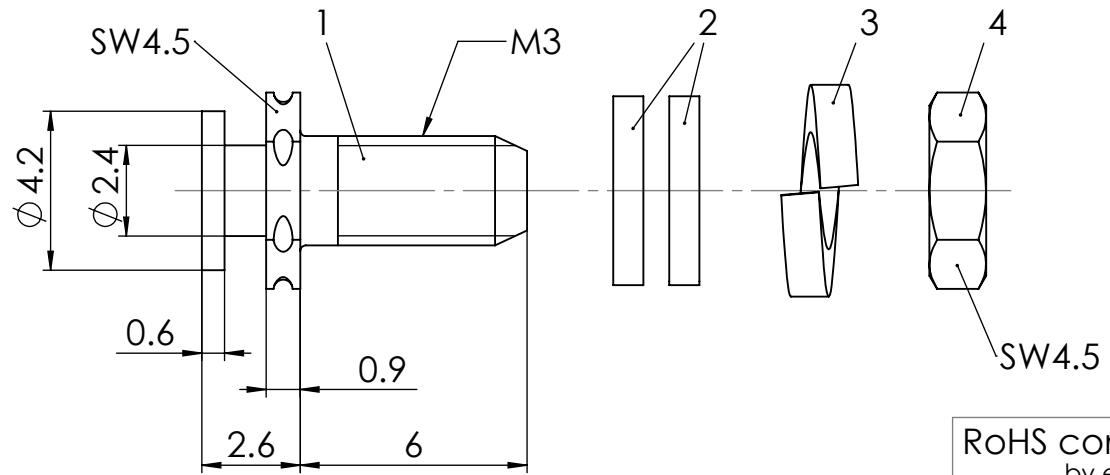


COMMENT:  
 ALL RIGHTS ARE RESERVED BY US FOR THIS DRAWING. WITHOUT OUR PRIOR CONSENT,  
 IT MAY NEITHER BE DUBLICATED NOR MADE AVAILABLE TO A THIRD PARTY,  
 AND IT ALSO MAY NOT BE IMPROPERLY USED BY TE RECEIVER, OR A THIRD PARTY.

1	2	3	4	5	6			
Part No.	Material	Surface	1 Screw (quantity)	2 Washer (quantity)	3 Spring washer (quantity)	4 Nut (quantity)	Package	Notice
F-SGV1/5-K981	Steel	zinc plated	2	4	2	2	in pairs	Packed together in a bag
F-SGV1/5-K981-M3		zinc plated	2	4	2	2	in pairs	Packed together in a bag
F-SGV1/5-K981SN		tin plated	2	4	2	2	in pairs	Packed together in a bag
F-SGV1/5-K981S		zinc plated	max. 5000	max. 10000	max. 5000	max. 5000	bulk packed	Individually packed in bags
F-SGV1/5-K981SSN		tin plated	max. 5000	max. 10000	max. 5000	max. 5000	bulk packed	Individually packed in bags
F56M049S245-M3+S		tin plated	max. 5000	-	-	-	bulk packed	Individually packed in bags
F56M049S245+S		tin plated	max. 5000	-	-	-	bulk packed	Individually packed in bags

MATERIAL NO.	TYPE DESCRIPTION
1731120234	F-SGV1/5-K981
1731120583	F-SGV1/5-K981SN
1731121263	F-SGV1/5-K981-M3
1731121326	F56M049S245-M3+S
1731121293	F56M049S245+S



<b>SYMBOLS</b> = 0 = 0 = 0 = 0 = 0 = 0 = 0 = 0		THIS DRAWING CONTAINS INFORMATION THAT IS PROPRIETARY TO MOLEX ELECTRONIC TECHNOLOGIES, LLC AND SHOULD NOT BE USED WITHOUT WRITTEN PERMISSION DIMENSION UNITS: <b>mm</b> SCALE: <b>2:1</b> MEASUREMENTS WITHOUT TOLERANCE ACC. TO ISO 2768-m		 <b>FCT-Corresponding Slide Lock Post F-SGV1/5-K981</b> PRODUCT CUSTOMER DRAWING	
REV. CH.-NO. 6 24140 5 24136 4 24069 3 23843 2 21785 1		CURRENT REVISION DRWN: DRAWN BY MTeubel 06-02-2020 APPR: APPR BY MTeubel 06-02-2020			
REPLACEMENT FOR:		THIRD ANGLE PROJECTION 		MATERIAL NUMBER: <b>see table</b> REVISION: <b>6</b>	
DRAWING: <b>A4-SIZE</b>		INITIAL REVISION DRWN: DRAWN BY Denzinger 29-10-2002 APPR: APPR BY cpasch 04-05-2005		DOCUMENT NUMBER: <b>F56M049_D</b> CUSTOMER: <b>GENERAL MARKET</b> SHEET NUMBER: <b>1 OF 1</b>	