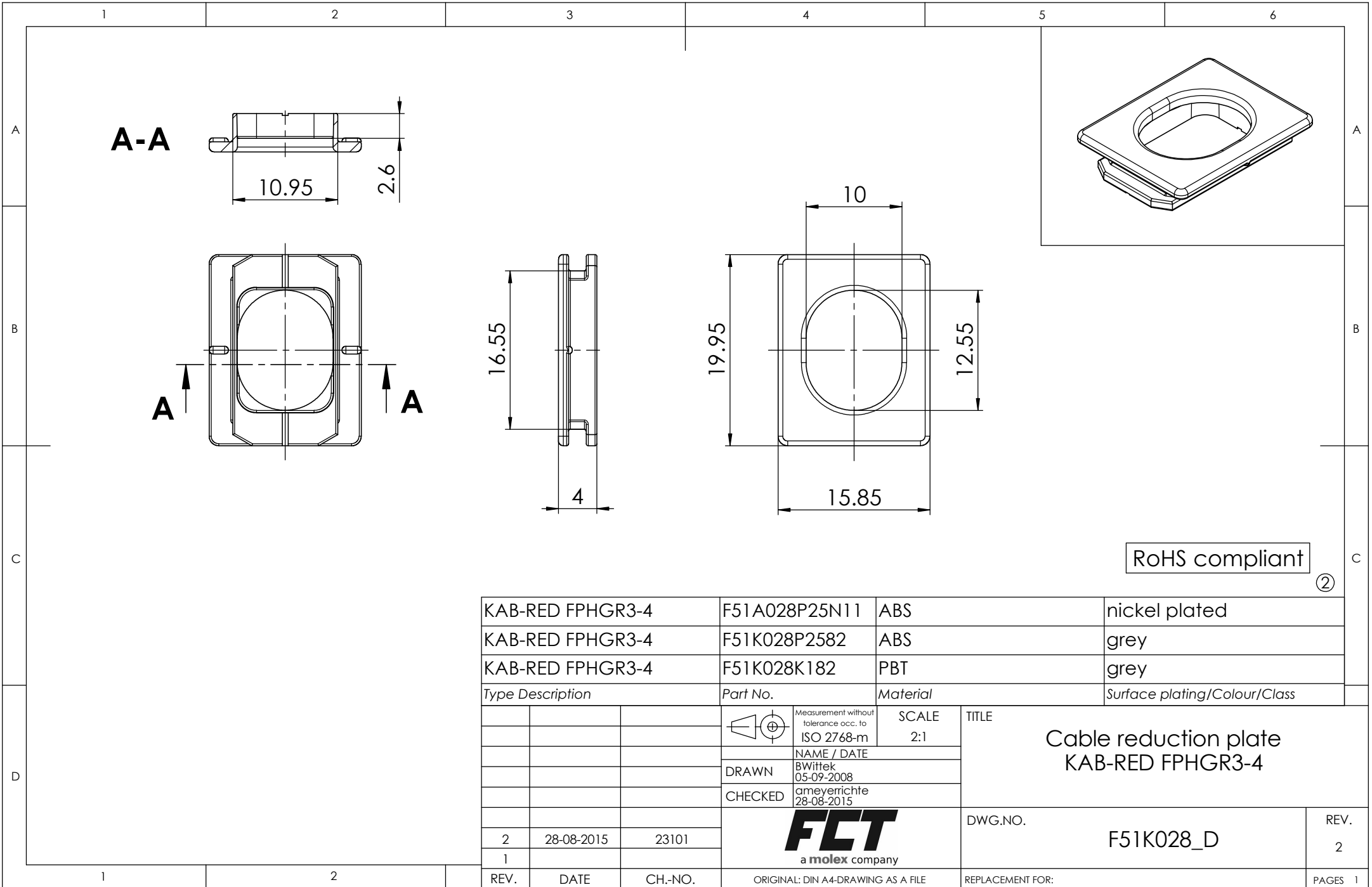
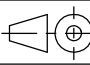



COMMENT:
 ALL RIGHTS ARE RESERVED BY US FOR THIS DRAWING. WITHOUT OUR PRIOR CONSENT,
 IT MAY NEITHER BE DUBLICATED NOR MADE AVAILABLE TO A THIRD PARTY,
 AND IT ALSO MAY NOT BE IMPROPERLY USED BY TE RECEIVER, OR A THIRD PARTY.



RoHS compliant ^②

KAB-RED FPHGR3-4	F51A028P25N11	ABS	nickel plated
KAB-RED FPHGR3-4	F51K028P2582	ABS	grey
KAB-RED FPHGR3-4	F51K028K182	PBT	grey
Type Description	Part No.	Material	Surface plating/Colour/Class
		 Measurement without tolerance acc. to ISO 2768-m	SCALE 2:1
		TITLE Cable reduction plate KAB-RED FPHGR3-4	
		NAME / DATE DRAWN BWittek 05-09-2008 CHECKED ameyerrichte 28-08-2015	
			
2	28-08-2015	23101	DWG.NO. F51K028_D
1			REV. 2
REV.	DATE	CH.-NO.	REPLACEMENT FOR: F51K028_D
		ORIGINAL: DIN A4-DRAWING AS A FILE	PAGES 1