

24VDC 8.3A 200W LED DRIVER



Multi Output Constant Voltage

Features:

- 100-305VAC Ultra Wide range Input Voltage
- Fanless Design – High Reliability
- IP67 rated suitable for indoor & outdoor use
- Protections OVP, SCP, OCP, OTP
- 5 Year Warranty
- Full Safety including CE, UL EN61347-1, EN61347-2-13



The Tiger Power range of LED drivers feature a comprehensive range of safety approvals for truly global requirements and meet latest energy efficiency legislation. The TGR-24V-200W 24vdc 8.3 amp model provides a reliable constant voltage output at up to 200 Watts continuous, suitable for a wide range of applications. This LED driver is supplied with a 1 input to 3 output high current splitter. Please see page 2 for example connection. Also available as 4 and 6 output versions on request

Part number :	TGR-24V-200W-OP3
Output:	24vdc Constant Voltage (16.8vdc to 24vdc in CC mode)
Output Current Adjustable Range in CC mode	4.15 amp to 8.3 amp (99.6 watt to 200 watts)
Input voltage:	100-305vac
Input frequency:	47 - 63Hz
No load power consumption:	<0.5W
Current:	8.3A
Power :	200 Watts
Protection:	Short Circuit, Over Temperature, Over voltage protection
Dimensions:	199 x 63 x 35.5mm
Weight:	850g
AC cord length (where supplied):	300mm
DC cord length:	300mm
DC output:	Red + Black -
Polarity:	No applicable
Efficiency:	94%
Input current RMS Max.:	2.0A
Inrush Current at 230vac:	65A max. at 230vac cold start, max. load
Load regulation:	+ / - 5%
Safety approval:	UL8750, CSA22.2 EN61347-1, EN61347-2-13, EN62384
M.T.B.F.:	749,060.00 hours min Telcordia SR-332 (Belcore)
Operating temperature:	-40°C to + 90°C (contact sales for derating info)

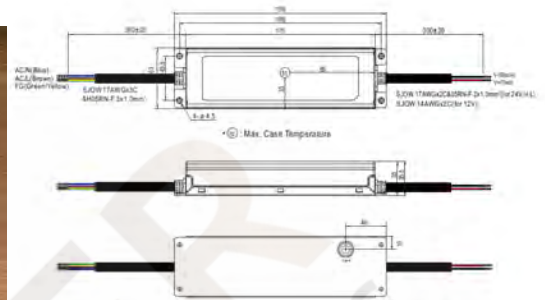
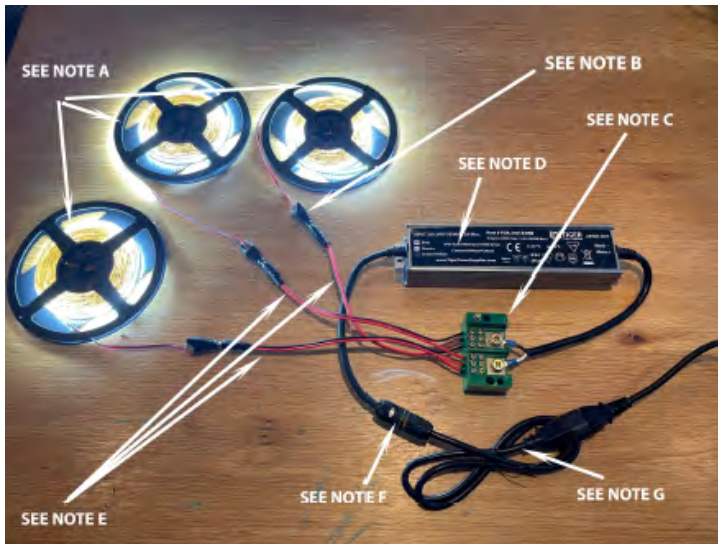
TIGER POWER PRODUCTS – QUALITY & RELIABILITY

This specification is not for general release or circulation. Tiger Power reserves the right to make changes to spec. or product without notice or liability.

24VDC 8.3A 200W LED DRIVER



Output Adjustable



- A) This is 3 reels of our 5 Metre (60W) 12W/M 128 LED/m 6500K 80CRI 24VDC 2350lm LED strip part number CW-128-12WM. Each reel of 5 metres is rated at 60 watts total, so the load on this power supply in the above photo is 3 x 60 W (180 watts). Each of the 3 outputs can supply 24VDC at 2.77A (66.67W) if all loaded together. Each output is rated to a max 100W. Total load 200W
- B) These connectors are our CON21-TERM-SOCKET push fit 2.1mm sockets which can quickly be attached to the LED strip for fast powering. Rated to 5A maximum
- C) This terminal block is part of our DC High Current Splitter range. This is part number TP-SPLIT-HW-OPX3 which is a 1 input to 3 output. The input side is rated to 30A max and each output terminal is rated to 8.3A max. Suitable only for low voltage 12V / 24V connection. In the photo this splitter is fitted with 3 of our EXT-CAB-A Red/Black cables
As well as this 3 output splitter connector, we also have 4, 6, 8 and 9 output splitter boxes if more outputs are required
- D) One of our TGR-24V-200W constant voltage 24VDC 200W LED drivers
- E) 3 pieces of our EXT-CAB-A cables which are rated to 4A 20AWG and 300mm length
- F) Here we use one of our IP68 2 or 3 wire waterproof cable joints CON-WP-IP68-M16 to connect an IEC input cable to the existing 300mm AC bare end cable. Please note the CON-WP-IP68-M16, EXT-CAB-A or IEC cable is not supplied as standard. The unit is supplied as per the photo on page 1 of this spec and all other parts are option extras available by contacting us
- G) IEC input cable fitted for fast AC connection (not waterproof) part CA-IEC-1M

TIGER POWER PRODUCTS – QUALITY & RELIABILITY

This specification is not for general release or circulation. Tiger Power reserves the right to make changes to spec. or product without notice or liability.