

7.5V DC 1.2A UK Power Supply

TIGER PART: TP1010

Features:

- Supplied with fixed UK pins
- Universal 100-240vac input voltage
- Level VI efficiency
- Approved to latest EN62368-1 safety standard
- CE and UKCA approved



Part number:	TP1010
Input voltage:	100-240vac (90-264vac max.)
Input frequency:	47 - 63Hz
Output voltage:	7.5vdc
Current:	1200mA (1.2amp)
Power :	8.4 Watts
Protection:	Short Circuit, Over voltage
Dimensions:	59 x 48 x 29mm
Cord length:	1.5 metres
DC connector:	2.5 x 5.5 x 12mm (Female)
Polarity:	+ve (positive) centre
Leakage current:	<0.25mA
Operating temperature:	0°C to + 40°C

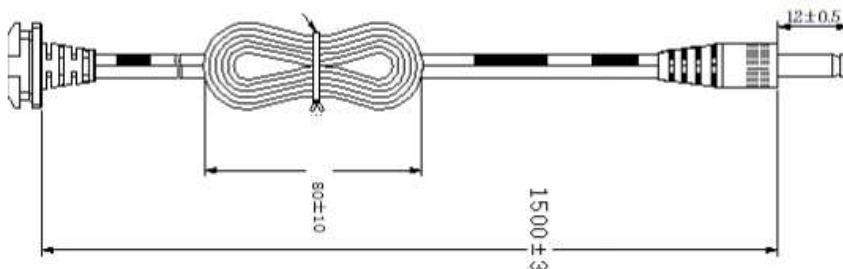
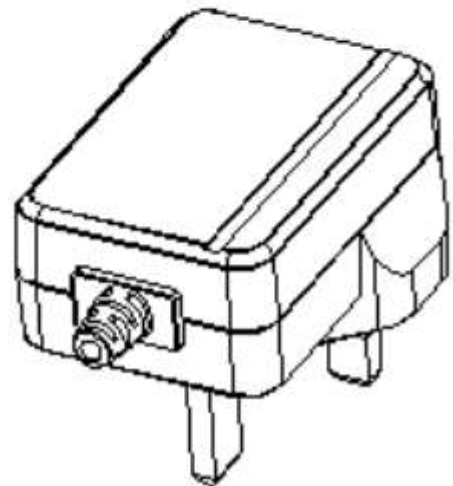
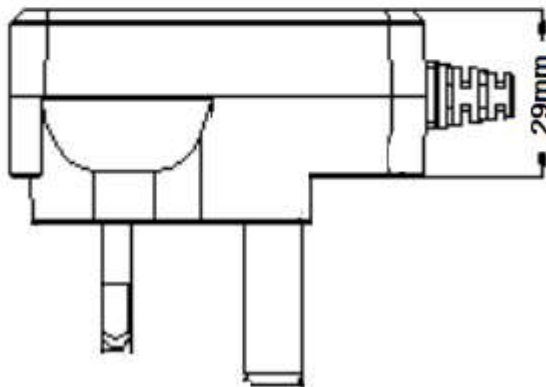
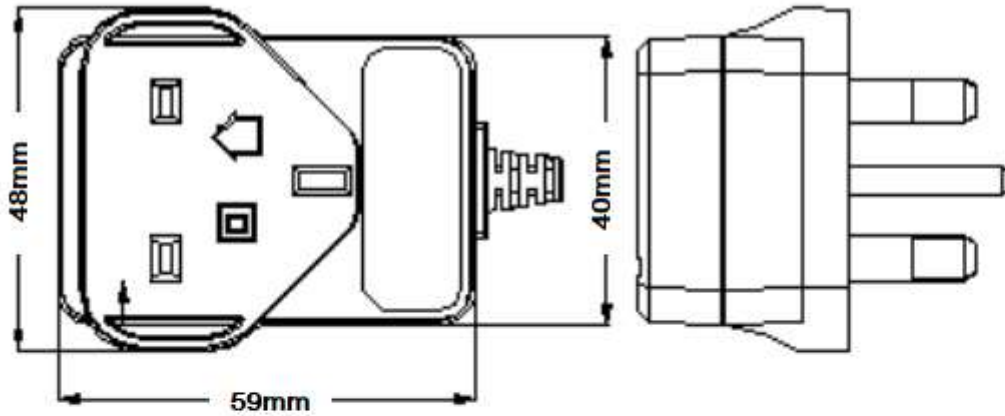
TIGER POWER PRODUCTS – QUALITY & RELIABILITY

This specification is not for general release or circulation. Tiger Power reserves the right to make changes to spec. or product without notice or liability.

7.5V DC 1.2A UK Power Supply



TIGER PART: TP1010



TIGER POWER PRODUCTS – QUALITY & RELIABILITY

This specification is not for general release or circulation. Tiger Power reserves the right to make changes to spec. or product without notice or liability.