

# SH37F-Tajimi Cable Pinout Guide

The SH37F-Tajimi cable, shown in Figure 1, is a 37-pin female DSUB cable for connecting sensors with a 7-pin male Tajimi push-pull connector to the NI 9237 with DSUB. Table 1 maps the pins between the cable DSUB connector and each of the 4 push-pull connectors. Shunt calibration is not possible when using this cable. Refer to the *NI 9237 Operating Instructions and Specifications* for more information about the NI 9237 with DSUB.

The SH37F-Tajimi cable has four push-pull connectors that are manufactured by Tajimi Electronics (part number PRC03-32A10-7F). National Instruments does not provide the mating connectors. Contact Tajimi Electronics for information regarding mating connectors.

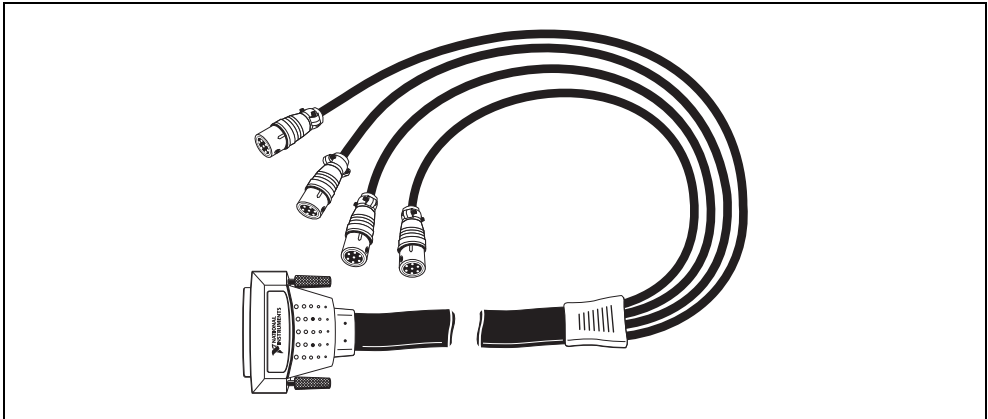


Figure 1. SH37F-Tajimi Cable

Refer to Figure 2 for an illustration of how to connect your sensor to the push-pull connector.

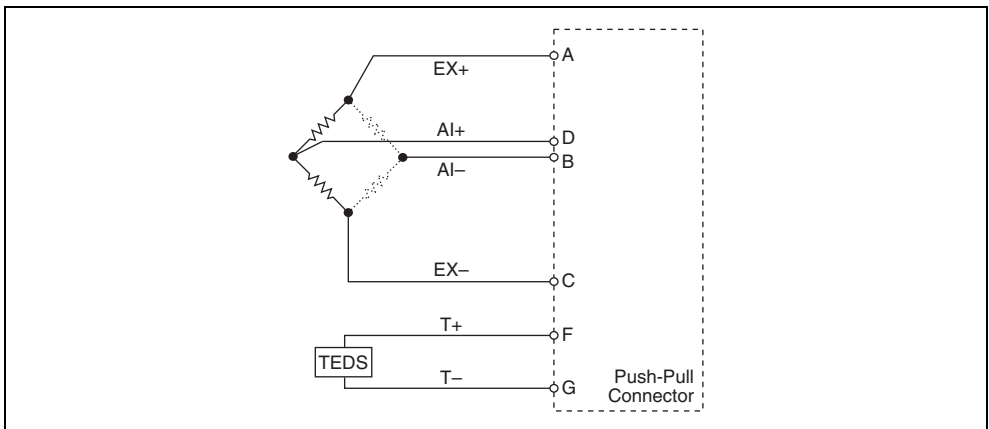


Figure 2. Sensor Signal to Push-Pull Connector Diagram

**Table 1.** SH37F-Tajimi Pin Assignments

Push-Pull Connector Diagram	Push-Pull Connector Number	Push-Pull Connector Pin	DSUB Pin(s)	NI 9237 with DSUB Signal Name
	0	A	1, 2	RS0+, EX0+
		B	22	AI0-
		C	20, 21	RS0-/SC0-, EX0-
		D	3	AI0+
		E	Shield*	—
		F	23	T0+
		G	9	T-
	—	—	4	SC0+
	1	A	5, 6	RS1+, EX1+
		B	26	AI1-
		C	24, 25	RS1-/SC1-, EX1-
		D	7	AI1+
		E	Shield*	—
		F	27	T1+
		G	28	T-
	—	—	8	SC1+
	2	A	11, 12	RS2+, EX2+
		B	32	AI2-
		C	30, 31	RS2-/SC2-, EX2-
		D	13	AI2+
		E	Shield*	—
		F	33	T2+
		G	28	T-
	—	—	14	SC2+
	3	A	15, 16	RS3+, EX3+
		B	36	AI3-
		C	34, 35	RS3-/SC3-, EX3-
		D	17	AI3+
E		Shield*	—	
F		37	T3+	
G		19	T-	
—	—	18	SC3+	

\* The cable shield is connected to pin E on the push-pull connector, the DSUB connector shell, and the push-pull connector shell.

National Instruments, NI, ni.com, and LabVIEW are trademarks of National Instruments Corporation. Refer to the *Terms of Use* section on [ni.com/legal](http://ni.com/legal) for more information about National Instruments trademarks. Other product and company names mentioned herein are trademarks or trade names of their respective companies. For patents covering National Instruments products/technology, refer to the appropriate location: **Help»Patents** in your software, the `patents.txt` file on your media, or the *National Instruments Patent Notice* at [ni.com/patents](http://ni.com/patents).