

PC CARD STRAIN-RELIEF ASSEMBLY

This guide describes how to install and use the PC Card strain-relief assembly with PC Card products.

Introduction

The PC Card strain-relief assembly provides strain relief to your PC Card I/O cables when you use your laptop computer and PC Card products. It helps prevent your PC Card I/O cable from getting disconnected from your PC Card product.

This assembly can also provide strain relief to other types of PC Card cables, such as modems, GPIB, ENET, and SCSI cables.

What You Need to Get Started

- PC Card strain-relief assembly
- Your PC Card and cable
- PC Card Strain-Relief Assembly Installation Guide*
- Your laptop computer

Installation and Configuration

Refer to Figure 1 for general parts identification.

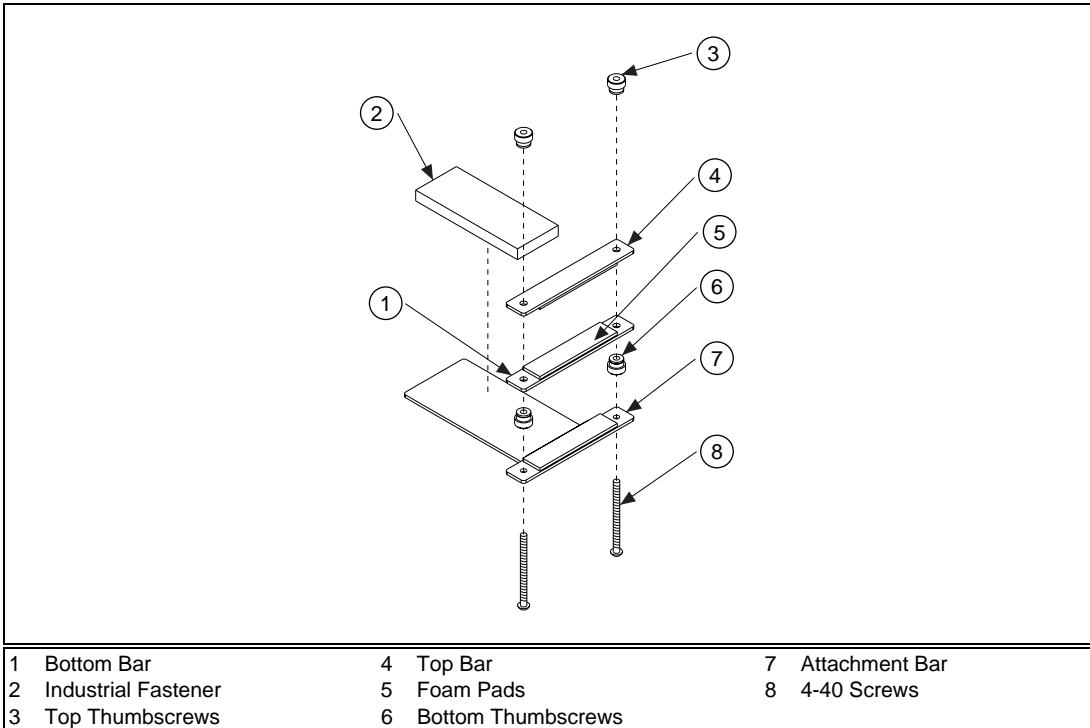


Figure 1. General Parts Location (Shipping Configuration Shown)

Three different configurations exist depending upon the height of the PC Card slot on your laptop computer. This height varies among computer manufacturers and models.

The PC Card slot height is measured from the laptop bottom. Follow these steps to configure your PC Card strain-relief assembly; the instructions are for all configurations, unless otherwise noted with a diamond (◆) symbol. The ◆ indicates that the information following applies only to a specific configuration. Refer to Figure 2 for the completed configurations.

1. Attach the attachment bar to the bottom of your laptop computer with the Dual Lock Industrial Fastener included in your kit. Center the bar on the PC Card slot.

2. Adjust the bottom bar for your PC Card slot height:
 - ◆ Greater than 0.64 cm (0.25 in.)—To adjust the bottom bar to the PC Card slot level on your computer, loosen the bottom thumbscrews as necessary.
 - ◆ From 0.25 to 0.64 cm (0.1 to 0.25 in.)— Remove the bottom thumbscrews and place the bottom bar on top of the attachment bar.
 - ◆ From 0 to 0.25 cm (0 to 0.1 in.)— Completely remove the bottom thumbscrews and bottom bar.
3. Plug the cable into your PC Card. The travel length for the top bar is long enough for more than one PC Card. Follow the instructions for your PC Card slot height:
 - ◆ Greater than 0.64 cm (0.25 in.) and from 0.25 to 0.64 cm (0.1 to 0.25 in.)—If you need additional length, replace the screws with longer screws (4-40 screws).
 - ◆ From 0 to 0.25 cm (0 to 0.1 in.)—If the 4-40 by 1.5-in. screws are too long, replace them with the 4-40 by 1-in. screws included in your kit
4. Tighten the top bar by turning the top thumbscrews. This tightening action will squeeze the cables between the bars and foam pads to provide strain relief.
5. If your laptop is uneven, add the rubber feet to the bottom of the laptop. These rubber feet are included in your kit.
6. To remove the strain-relief assembly, remove the attachment bar and the PC Card cables, and separate the Dual Lock Fastener.

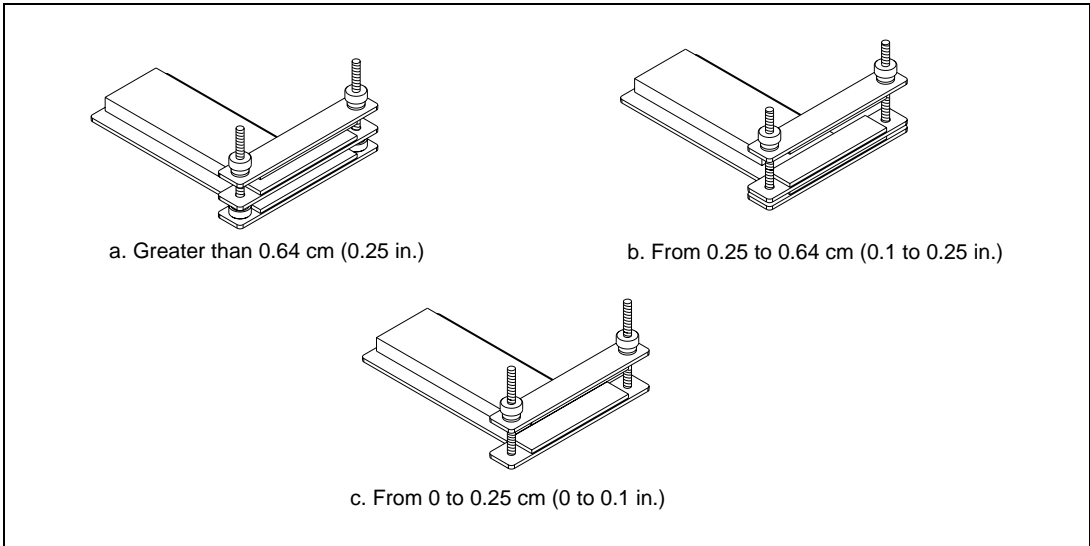


Figure 2. Completed Configurations for Different PC Card Slot Heights

Figure 3 shows the completed installation with your laptop. The configuration for PC Card slot heights greater than 0.64 cm (0.25 in.) is shown.

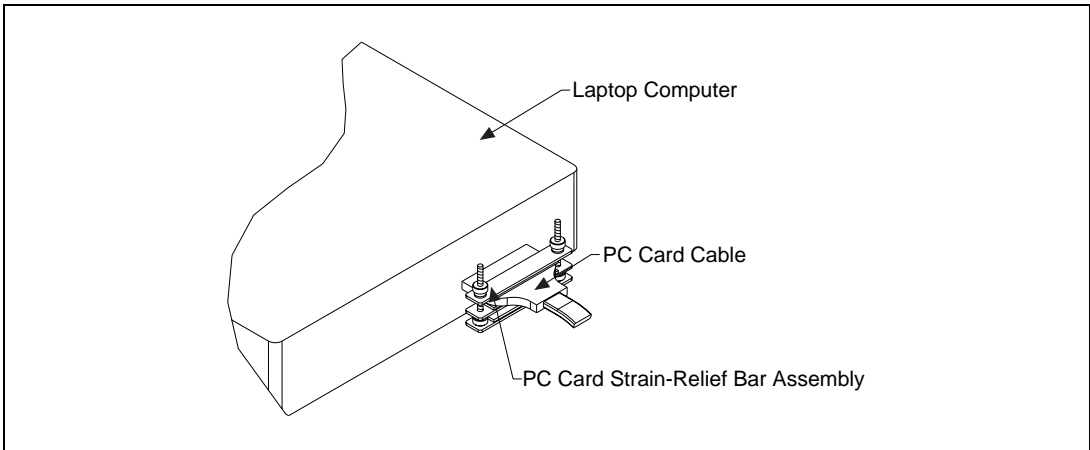


Figure 3. The Completed Installation (shown for PC Card greater than 0.25 in.)

