

## DATENBLATT – Data sheet

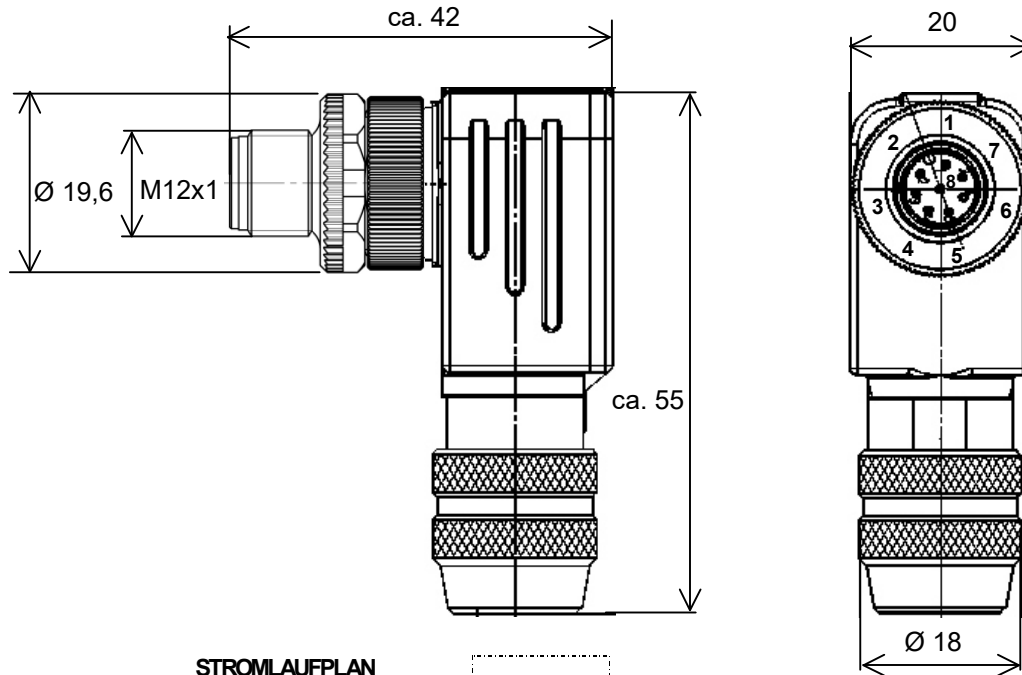
### MECHANISCHE DATEN *Mechanical data*

- **GEHÄUSE:** M12 Stecker gewink., 8pol. geschirmt  
*Housing: M12 male angular, 8cont. shielded*
- **ANSCHLUSSART:** Schraubklemmen (AEH verwenden)  
*Connection: Screw termination (use end splice)*
- **BEFESTIGUNG:** aufgesteckt, verschraubt, SW 18  
empfohlenes Anzugsmoment 0,6Nm  
*Connection: pluggable, screw locking, A/F 18  
recommended breakaway torque 0.6Nm*
- **SCHUTZGRAD:** IP67 im gesteckten und verschraubten Zustand  
*Protection: IP67 when plugged and screwed down*
- **TEMP. BER.:** -40...+85°C  
*temp. range: -40...+85°C*

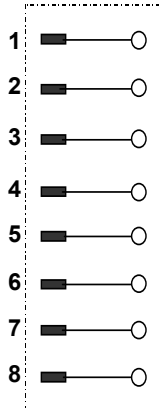
### ELEKTRISCHE DATEN *Electrical data*

- **ANSCHLUSSSPG.:** 30 V AC/DC  
*Nominal voltage: 30 V AC/DC*
- **BETRIEBSSTROM:** max. 2 A je Kontakt  
*Rated current: max. 2 A every contact*
- **BEM.-STOSSPANNUNG:** 0,8 kV  
*Rated impulse voltage: 0.8 kV*
- **VERSCHMUTZUNGSGRAD:** 3  
*Pollution degree: 3*
- **ISOLIERSTOFFGRUPPE:** Kategorie III nach IEC 60664-1  
*Material group: Category III according to IEC 60664-1*

### TECHNISCHE SKIZZE / Technical sketch



**STROMLAUFPLAN**  
*Schematic diagram*



					Datum/Date	Name	<b>Datenblatt / Data sheet</b> <b>Stromlaufplan / Schematic diagram</b>	
				Freigegeben <i>Released</i>			<b>Art. No.: 7277-17351-000000</b>	
				Gepr. <i>Approved</i>				
							M12 Stecker gewinkelt selbstanschließbar geschirmt / M12 male angular self connectable, shielded Belegung / configuration 1,2,3,4,5,6,7,8	
Idx.	Änderung / Update	Datum/ Date	Name					
a	Erstausgabe	6.2.18	Ma	06.02.2018	7277-17351db.doc			

**einsetzbare Litzenquerschnitte:** **max. 0,5 mm<sup>2</sup>**  
*possible conductor cross section: max. 0.5 mm<sup>2</sup>*

**möglicher Kabelmantel-Ø:** **6,0 mm ... 8,0 mm**  
*possible cable jacket-Ø: 6.0 mm ... 8.0 mm*

**VERPACKUNG / Packing instruction**


**Siehe Verpackungsvorschrift VP 7277-12121.**  
*See packing instruction VP 7277-12121.*

**BESTÄNDIGKEIT / Resistance**

**Gute Chemikalien- und Ölbeständigkeit.**  
**Beim Einsatz aggressiver Medien ist die Materialbeständigkeit applikationsbezogen zu überprüfen.**  
*Good chemical and oil resistance.*  
*When using aggressive mediums, material resistance based on application must be checked.*

**Datenblatt gilt für / data sheet valid for :**

ME-Art.-No.	National Instruments Art.-No. <i>National Instruments part number</i>	Vetriebstext 1 <i>sales text 1</i>	Vetriebstext 2 <i>sales text 2</i>
7277-17351-0000000	751783-01	8 PIN M12 MALE (RIGHT ANGLE) FIELD	SERVICEABLE CONNECTOR, SCREW TERMINAL

					Datum/Date	Name	<b>Datenblatt / Data sheet Stromlaufplan / Schematic diagram</b>
				Freigeg. <i>Released</i>			
				Gepr. <i>Approved</i>			<b>Art. No.: 7277-17351-0000000</b>
							M12 Stecker gewinkelt selbstanschließbar geschirmt / M12 male angular self connectable, shielded Belegung / configuration 1,2,3,4,5,6,7,8
Idx.	Änderung / Update	Datum/ Date	Name				
a	Erstausgabe	6.2.18	Ma	06.02.2018 7277-17351db.doc			

Refer to the *NI Trademarks and Logo Guidelines* at [ni.com/trademarks](http://ni.com/trademarks) for more information on NI trademarks. Other product and company names mentioned herein are trademarks or trade names of their respective companies. For patents covering NI products/technology, refer to the appropriate location: **Help»Patents** in your software, the `patents.txt` file on your media, or the *National Instruments Patents Notice* at [ni.com/patents](http://ni.com/patents). You can find information about end-user license agreements (EULAs) and third-party legal notices in the `readme` file for your NI product. Refer to the *Export Compliance Information* at [ni.com/legal/export-compliance](http://ni.com/legal/export-compliance) for the NI global trade compliance policy and how to obtain relevant HTS codes, ECCNs, and other import/export data. NI MAKES NO EXPRESS OR IMPLIED WARRANTIES AS TO THE ACCURACY OF THE INFORMATION CONTAINED HEREIN AND SHALL NOT BE LIABLE FOR ANY ERRORS. U.S. Government Customers: The data contained in this manual was developed at private expense and is subject to the applicable limited rights and restricted data rights as set forth in FAR 52.227-14, DFAR 252.227-7014, and DFAR 252.227-7015.

© 2018 National Instruments. All rights reserved.