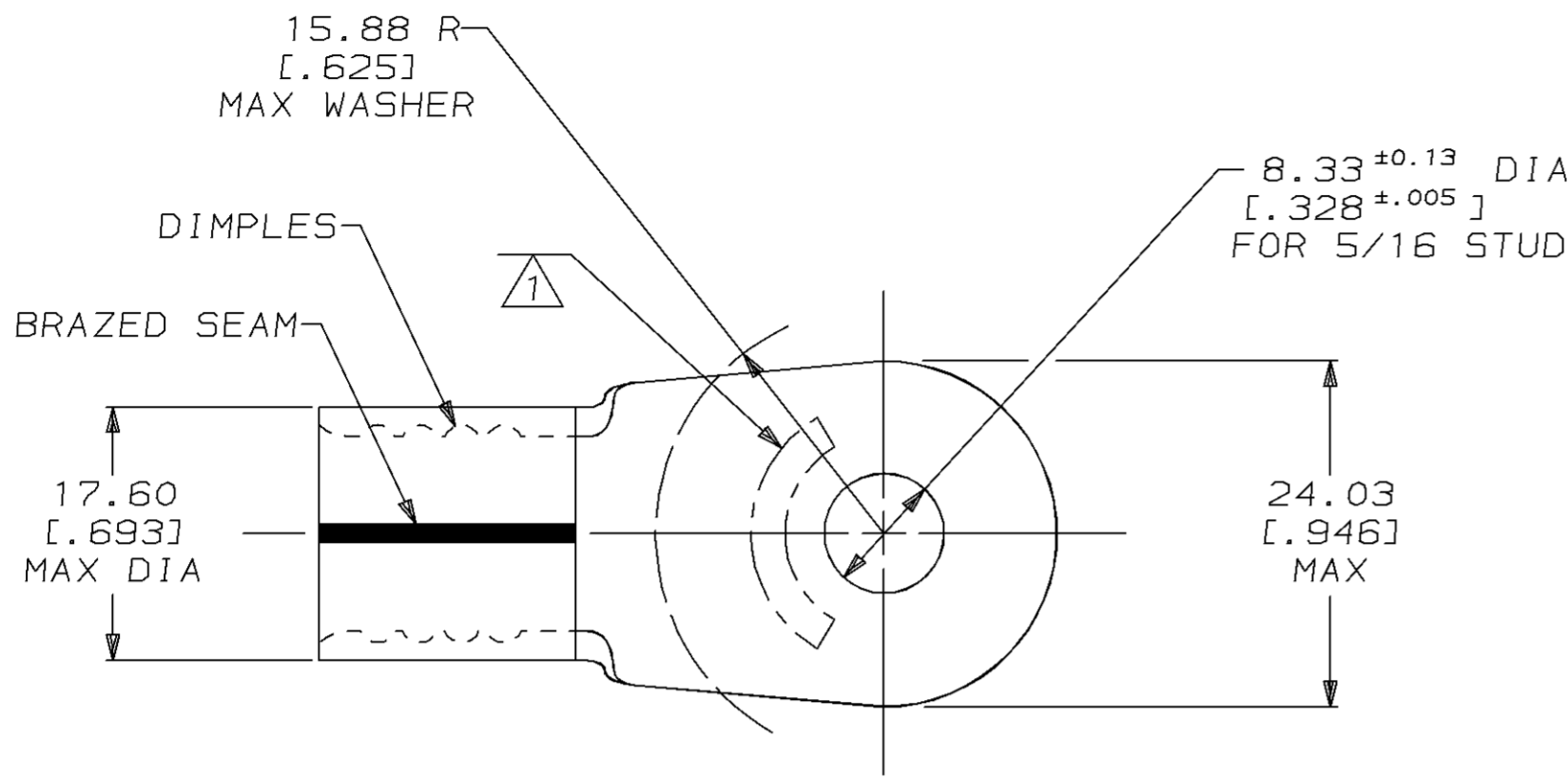


THIS DRAWING IS UNPUBLISHED. RELEASED FOR PUBLICATION, 19 .
 © COPYRIGHT 19 BY AMP INCORPORATED. ALL INTERNATIONAL RIGHTS RESERVED.

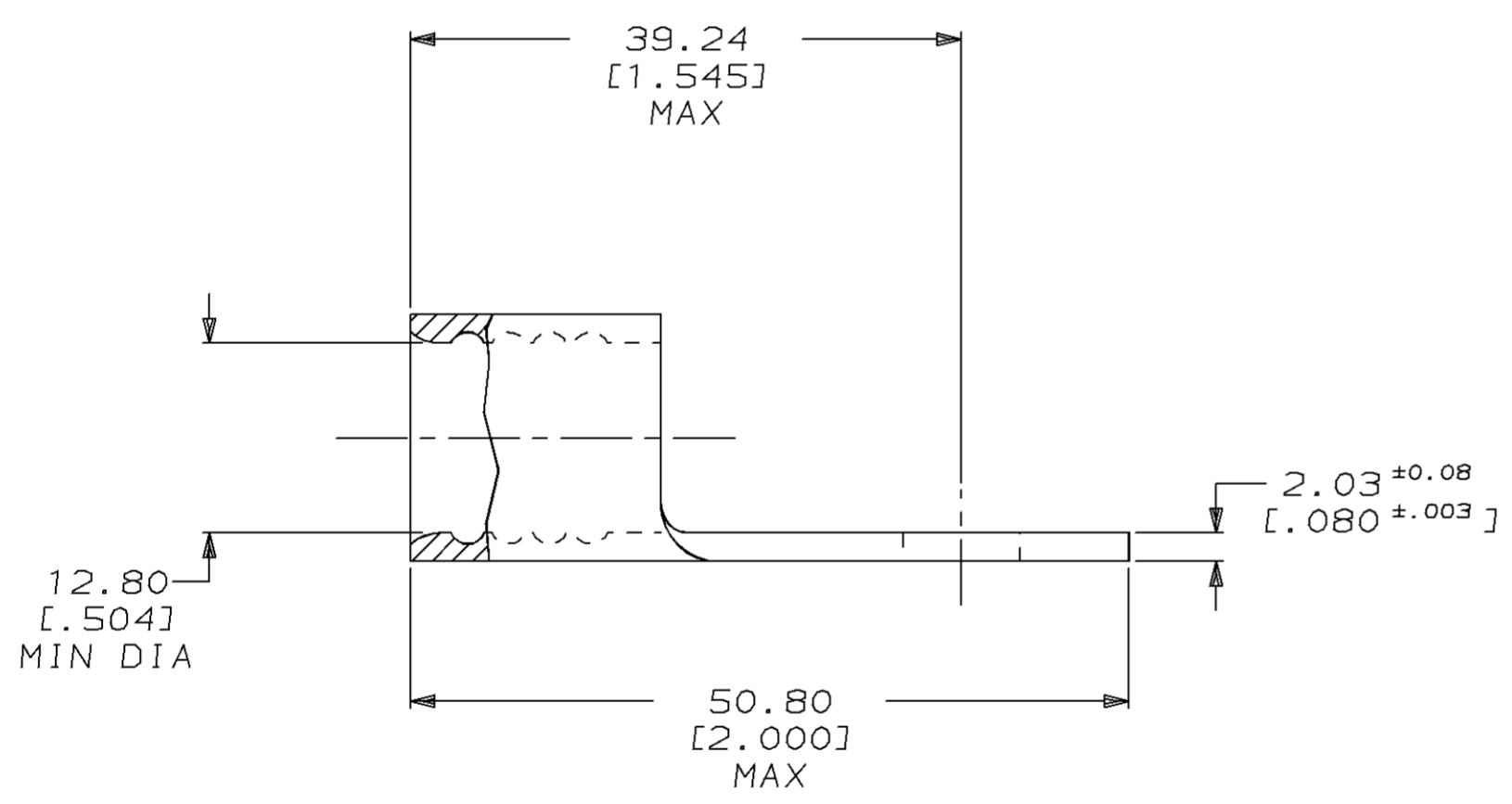
| LOC | DIST | P | F | ZONE | LTR | DESCRIPTION | DATE | APPD |
|-----|------|---|---|------|-----|--------------------------|---------|---------|
| G | 14 | | | | K | REVISED PER 0L20-0148-96 | 10DEC96 | OKS MJS |

METRIC
 DIMENSIONS LISTED IN mm [INCHES]



| | |
|-------------------------------|----------------------------|
| AMP WIRE RANGE | UL E13288 Listed |
| 2/0 AWG SOLID OR STRANDED | 2/0 AWG STRANDED |
| SR LR7189 Certified | MILITARY P/N AND CLASS |
| 2/0 AWG SOLID OR STRANDED | NOT APPLICABLE |

- ① STAMP AMP 2/0W* APPROX AS SHOWN
- ② TIN PLATE 0.00254 [0.00100] MIN THK PER MIL-T-10727
- ③ NICKEL PLATE 0.00076 [0.00030] MIN THK PER QQ-N-290



| | | |
|----------|--------|-----------|
| OBSOLETE | ③ | 2-36922-4 |
| | ② | 36922 |
| | FINISH | PART NO |

AMP INCORPORATED
CUSTOMER SERVICE SYSTEMS

MAX RECOMMENDED OPERATING TEMPERATURE:
 170°C MAX

DO NOT SCALE PRINT. UNLESS SPECIFIED
 DIMENSIONS IN mm [INCHES]
 TOLERANCES ON:
 2 PLC DEC ± 0.20 [0.008]
 3 PLC DEC ± -
 ANGLES ± -

DR 1/14/94
 DK SCHRUM
 CHK 1/19/94
 AJ KAUFMAN

AMP AMP Incorporated
 Harrisburg, PA 17105-3608

FOR ADDITIONAL PRODUCT INFORMATION OR COPIES OF DRAWINGS AND TECHNICAL DOCUMENTS

PRODUCT INFORMATION CENTER
 1-800-522-6752

VOLTAGE RATING:
 NOT APPLICABLE

MATERIAL
 COPPER PER ASTM B-152 ANNEALED

APPD 1/19/94
 RE ROSER
 APPD 1/19/94
 JL MECKLEY
 PRODUCT SPEC

NAME
TERMINAL, RING TONGUE, SOLISTRAND™

FOR APPLICATION TOOLING INFORMATION

TOOLING ASSISTANCE CENTER
 1-800-722-1111

WIRE CROSS SECTIONAL AREA RANGE:
 60.6-76.3mm² [119,500-150,500] CIR MILS
 SOLID OR STRANDED

FINISH
 SEE TABLE

APPLICATION SPEC
 -

SIZE **C** CAGE CODE 00779 DRAWING NO **C-36922**

FOR ORDER ENTRY

1-800-526-5142

THIS DRAWING IS A CONTROLLED DOCUMENT FOR AMP INCORPORATED. IT IS SUBJECT TO CHANGE AND THE CONTROLLING ENGINEERING ORGANIZATION SHOULD BE CONTACTED FOR THE LATEST REVISION.

WEIGHT -

SCALE 2:1 SHEET 1 OF 1