

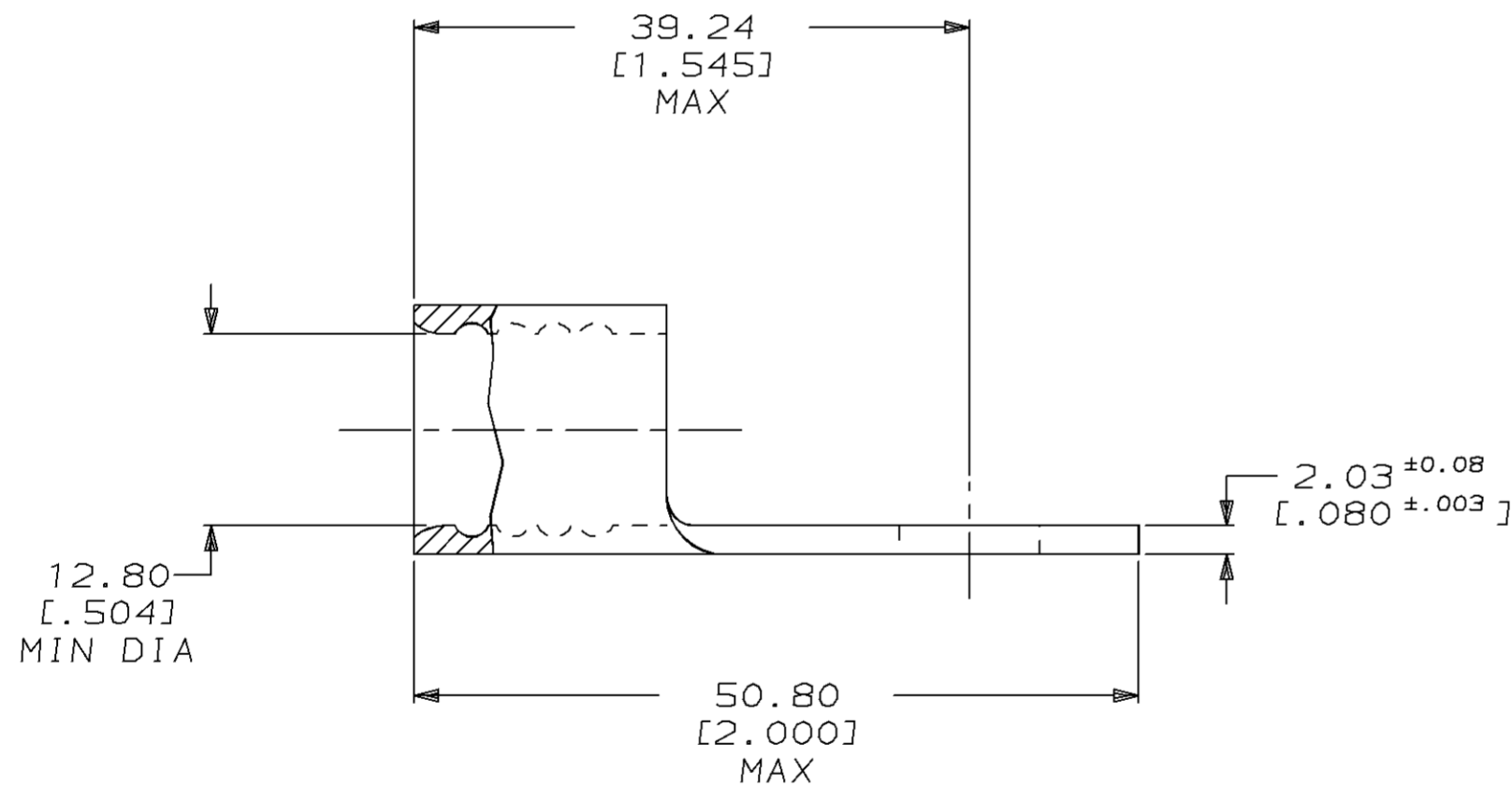
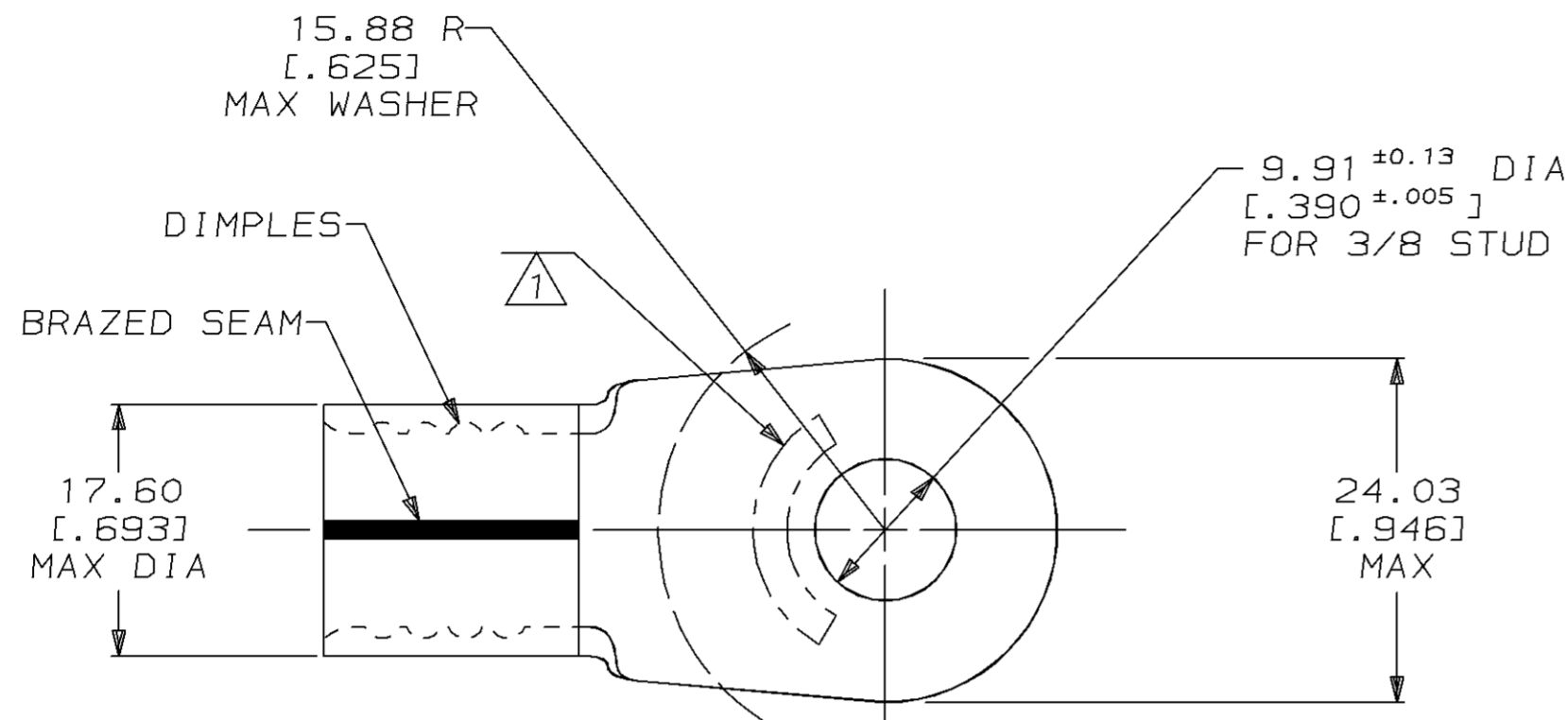
THIS DRAWING IS UNPUBLISHED. RELEASED FOR PUBLICATION , 19 .  
 © COPYRIGHT 19 BY AMP INCORPORATED. ALL INTERNATIONAL RIGHTS RESERVED.

AMP PART NO	MATERIAL	PKG TYPE	QTY
8-36923-3	M/F 8-36923-0	BOX	25
8-36923-5	M/F 8-36923-0	BAG	5

LOC	DIST	P	F	ZONE	LTR	DESCRIPTION	DATE	APPD
G	14				M	REVISED PER 0L20-0148-96	10DEC96	OKS MJS

**METRIC**  
 DIMENSIONS LISTED IN mm [ INCHES ]

<b>AMP</b> WIRE RANGE	<b>UL</b> E13288 Listed
2/0 AWG SOLID OR STRANDED	2/0 AWG STRANDED
<b>SR</b> LR7189 Certified	MILITARY P/N AND CLASS
2/0 AWG SOLID OR STRANDED	NOT APPLICABLE



- ① STAMP AMP 2/0W\* APPROX AS SHOWN
- ② TIN PL 0.00254 [ .000100 ] MIN THK PER MIL-T-10727
- ③ NICKEL PL 0.00076 [ .000030 ] MIN THK PER QQ-N-290

OBSOLETE	FINISH	PART NO
③		2-36923-4
②		36923

**AMP INCORPORATED**  
**CUSTOMER SERVICE SYSTEMS**

MAX RECOMMENDED OPERATING TEMPERATURE:  
 170°C MAX

DO NOT SCALE PRINT. UNLESS SPECIFIED  
 DIMENSIONS IN mm [ INCHES ]  
 TOLERANCES ON :  
 2 PLC DEC ± 0.20 [ .008 ]  
 3 PLC DEC ± -  
 ANGLES ± -  
 MATERIAL  
 COPPER PER ASTM B-152 ANNEALED

DR 1/14/94 DK SCHRUM  
 CHK 1/19/94 AJ KAUFMAN  
 APPD 1/19/94 RE ROSER  
 APPD 1/19/94 JL MECKLEY  
 PRODUCT SPEC -  
 APPLICATION SPEC -  
 WEIGHT -

**AMP** AMP Incorporated  
 Harrisburg, PA 17105-3608

FOR ADDITIONAL PRODUCT INFORMATION OR COPIES OF DRAWINGS AND TECHNICAL DOCUMENTS

PRODUCT INFORMATION CENTER  
 1-800-522-6752

VOLTAGE RATING:  
 NOT APPLICABLE

WIRE CROSS SECTIONAL AREA RANGE:  
 60.6-76.3mm<sup>2</sup> [ 119,500-150,500 ] CIR MILS  
 SOLID OR STRANDED

FINISH  
 SEE TABLE

NAME  
**TERMINAL, RING TONGUE, SOLISTRAND™**

FOR APPLICATION TOOLING INFORMATION

TOOLING ASSISTANCE CENTER  
 1-800-722-1111

FOR ORDER ENTRY

1-800-526-5142

THIS DRAWING IS A CONTROLLED DOCUMENT FOR AMP INCORPORATED. IT IS SUBJECT TO CHANGE AND THE CONTROLLING ENGINEERING ORGANIZATION SHOULD BE CONTACTED FOR THE LATEST REVISION.

SIZE CAGE CODE DRAWING NO  
 C 00779 C-36923  
 SCALE 2:1 SHEET 1 OF 1