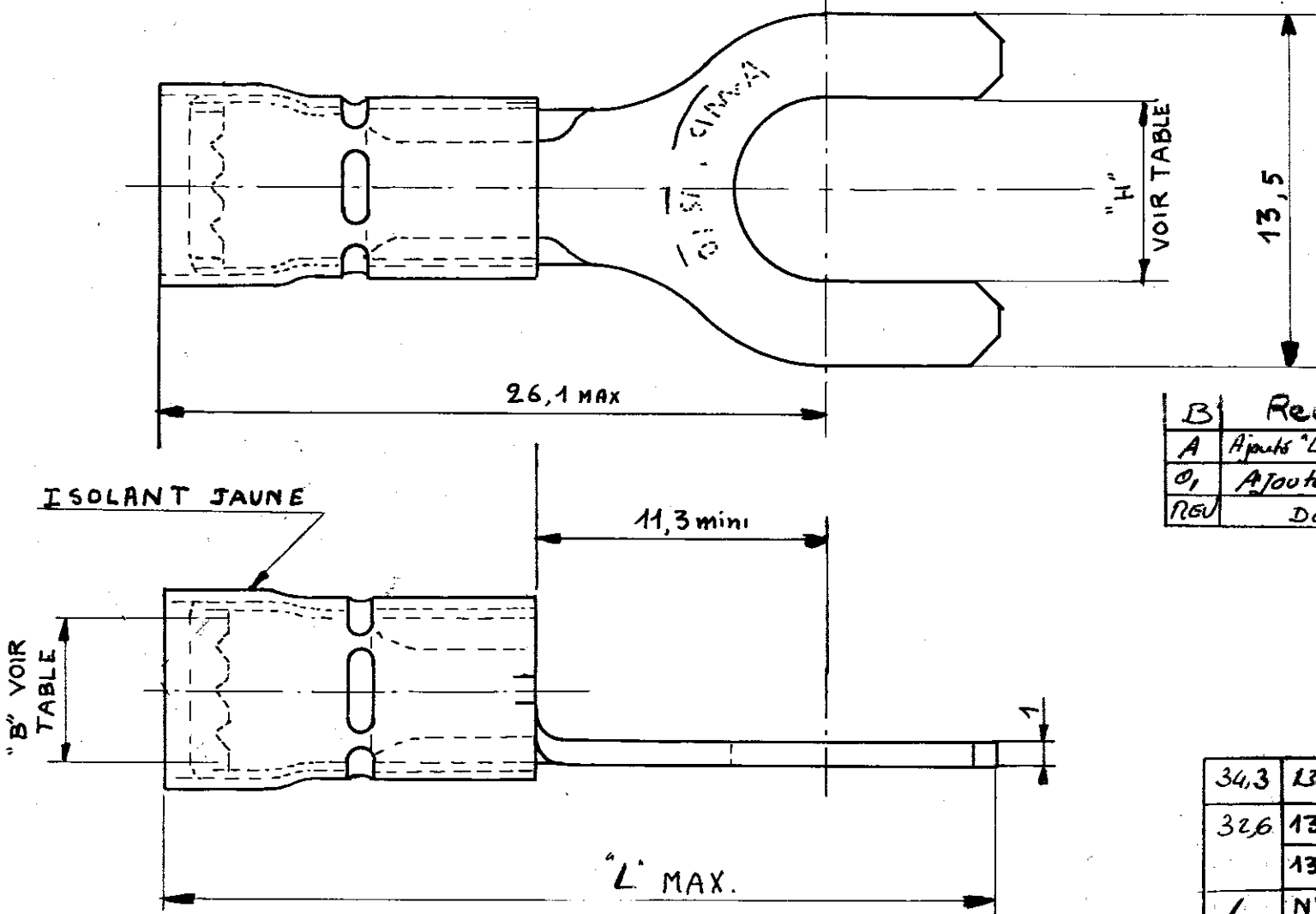


DIMENSIONS IN mm — DO NOT SCALE PRINT

NUMBER
C 130620



B	Revised	0396	GR
A	Ajouts "L" dans le tab.	Jun 93	GR
01	Ajoute 130625-1	Jan 89	GR
REV	DESIGNATION	DATE	PAR

34,3	130625-1	6,35	8,25
32,6	130625	6,35	6,4
	130620	5,2	6,4
L	N° ASSEMB.	H ± .003	B ± .002

CUSTOMER PRINT
FOR REFERENCE ONLY

©1959 BY AMP INCORPORATED. ALL RIGHTS RESERVED. A.M.P. PRODUCTS COVERED BY PATENTS AND/OR PATENTS PENDING.

-9	-8	-7	-6	-5	-4	-3	-2	-1
REQUIRED PER ASSEMBLY								
DESCRIPTION								

DWG SIZE	NUMBER	NAME	REMARKS	ITEM NO.
MATERIAL	HEAT TREAT	FINISH		
CUIVRE	RECUIT	ETAME		
DR. MASSIEUX 16-10-63		DATE APP.	DATE REL	DATE
CHK.		DATE APP.	DATE FIRST USED	
AMP AMP DE FRANCE	TYPE B.S. P.1DG	PRINT DIST	LOC F	SIZE NUMBER A C 130620
SCALE 4-1	WIRE SIZE 12-10	CMA MAX. MIN.	NAME COSSE A FOURCHE	REV B