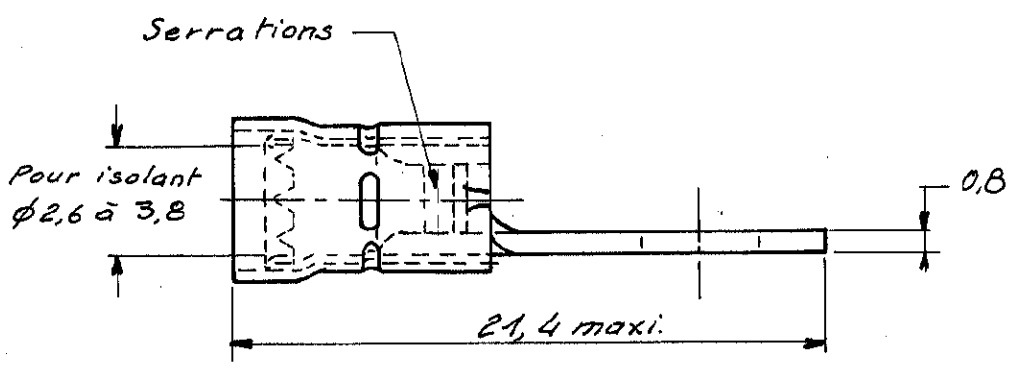
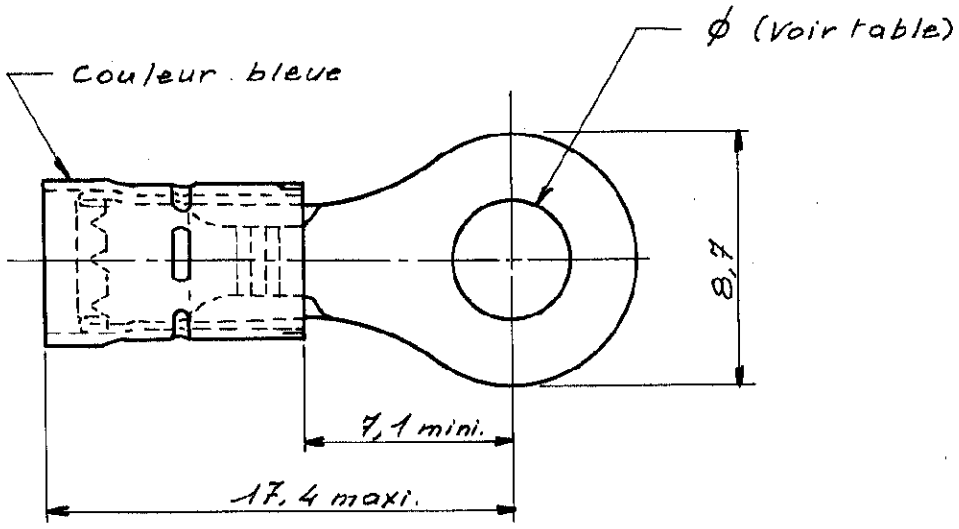


NUMBER
C.130662



INACTIF	130663	5,2	5
	130662	3,1	3
	Numéros	φ	φ Borne

DIMENSIONS IN MM DO NOT SCALE PRINT.

© 19 BY AMP INCORPORATED. ALL RIGHTS RESERVED. AMP PRODUCTS COVERED BY PATENTS AND/OR PATENTS PENDING.

**CUSTOMER COPY
REFERENCE ONLY**

MATERIAL AND FINISH
Cuivre recuit étamé



B Revised GR 03/96

WIRE — RANGE — INSULATION
16-14 P.I.D.G. Nylon

A 130662.0 INACTIF FID M/92

TOLERANCE EXCEPT AS NOTED ± .015 ± 1° 0' 4-1

LOC A NO C.130662 REV B

DR GRAND.M. 20.3.66 DE
CHK [Signature] APP

NAME **COSSE A PLAGÉ RONDE**