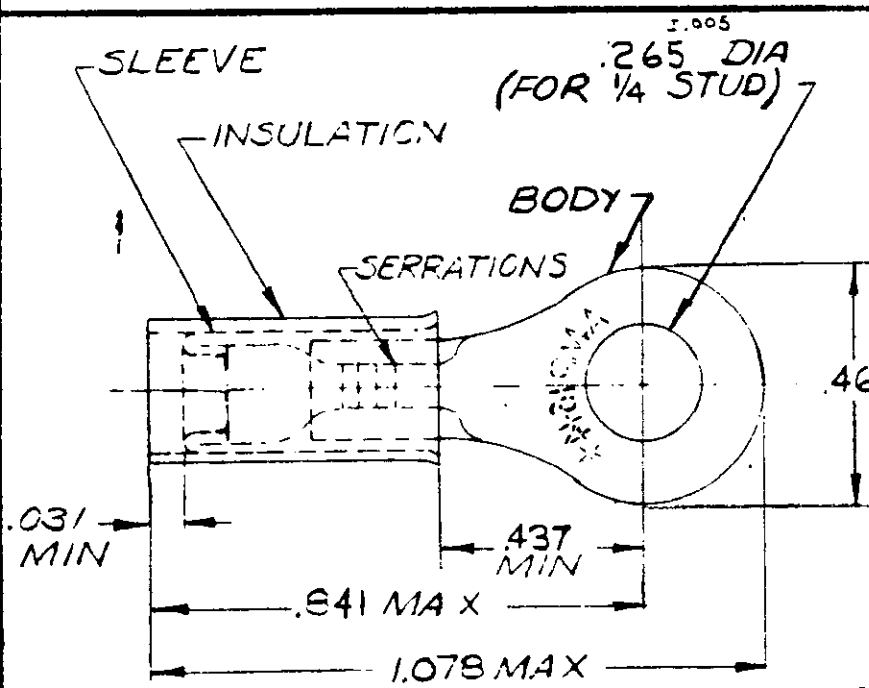
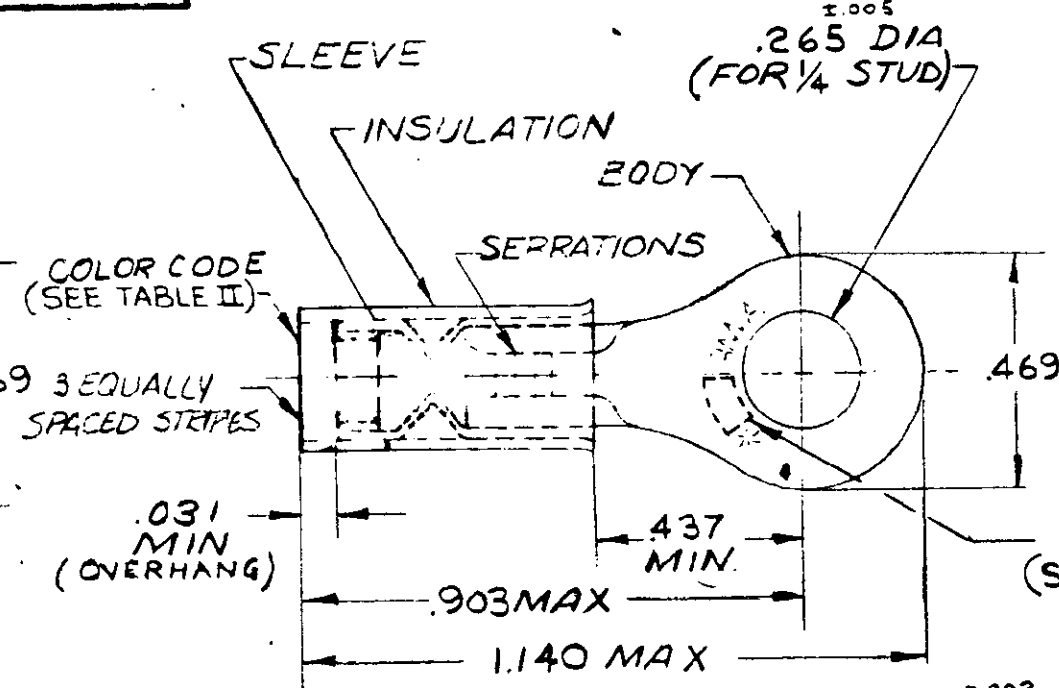


© 1968 BY AMP INCORPORATED, ALL RIGHTS RESERVED. AMP PRODUCTS COVERED BY PATENTS AND OR PATENTS PENDING.



TONGUE MATERIAL THK. = .031
FOR .105 TO .150 WIRE INS. DIA
STYLE "A"



TONGUE MATERIAL THK. = .031
FOR C/D WIRE INS. DIA
STYLE "B"

ZONE	LTR	DESCRIPTION	DATE	APPROVED
	E	REDRAWN & ADDED 2-320563-3 & 2-4	9-5-69	FCY
	E1	PER NPS 69-0260 & 0263		
	F	REVISED PC-5569	9-11-69	FCY
	G	REVISED B-630	12-18-69	FCY
	H	ADDED TAPE NO.'S	1-5-70	FCY
	J	ADDED 060 MIN COLOR BAND - G 1302	10-28-70	FCY
	K	REV PER PC-3820	5-3-76	FCY
	L	025 2-5 & 2-6 G 2583	10-9-87	PMF
	M	REV/0720-0056-93	3-30-93	TQ./me
	N	REV/0720-0496-95	2-6-95	LO/me

STAMPING
(SEE TABLE II)

TABLE I

QTY	DESCRIPTION	PART NO.	MATERIAL & FINISH
1	WIRE TERMINAL INSULATION RESTRICTING	2-320563-4	BODY: COPPER (QQ-C-576) TIN PL (MIL-T-10727)
		2-320563-3	SLEEVE: COPPER (QQ-C-576) NICKEL PL (QQ-N-290)
100	LOOSE PC. BOX	8-320563-1	INSULATION: NYLON (MIL-M-20693) TYPE I, COLOR: BLUE
1	WIRE TERMINAL	320563	BODY & SLEEVE: COPPER (QQ-C-576) TIN PL (MIL-T-10727)
			INSULATION: NYLON (MIL-M-20693) TYPE I, COLOR: BLUE

OBSOLETE 2--5 AND 2--6

TABLE II

PART NO.	PART NO. ON TAPE	COLOR CODE	WIRE STAMPING	"C" "D"	WIRE SIZE	STYLE
8-320563-1			AS SHOWN		16-14	"A"
2-320563-4	2-320563-6	GREEN	14	.078 .130	14	"B"
2-320563-3	2-320563-5	BLUE	16	.063 .130	16	"B"
320563	2-320563-2		AS SHOWN		16-14	"A"

UNLESS OTHERWISE SPECIFIED DIMENSIONS ARE IN INCHES. TOLERANCES ON DECIMALS: ±.008 ANGLES: 5°

CONTRACT NO. #

DR. Steve Kautz 9-2-69

CHK. P. C. Young/Hub 9-5-69

APPD. Luibel 9-5-69

REC. M. Croninger 9-19-69

OTHER APPD.

AMP INCORPORATED HARRISBURG, PENNSYLVANIA

WIRE TERMINAL P.I.D.G. - RING TONGUE

SIZE: B CODE IDENT NO: 00779 NUMBER: 320563

SCALE: NTS SHEET: 1 OF 1