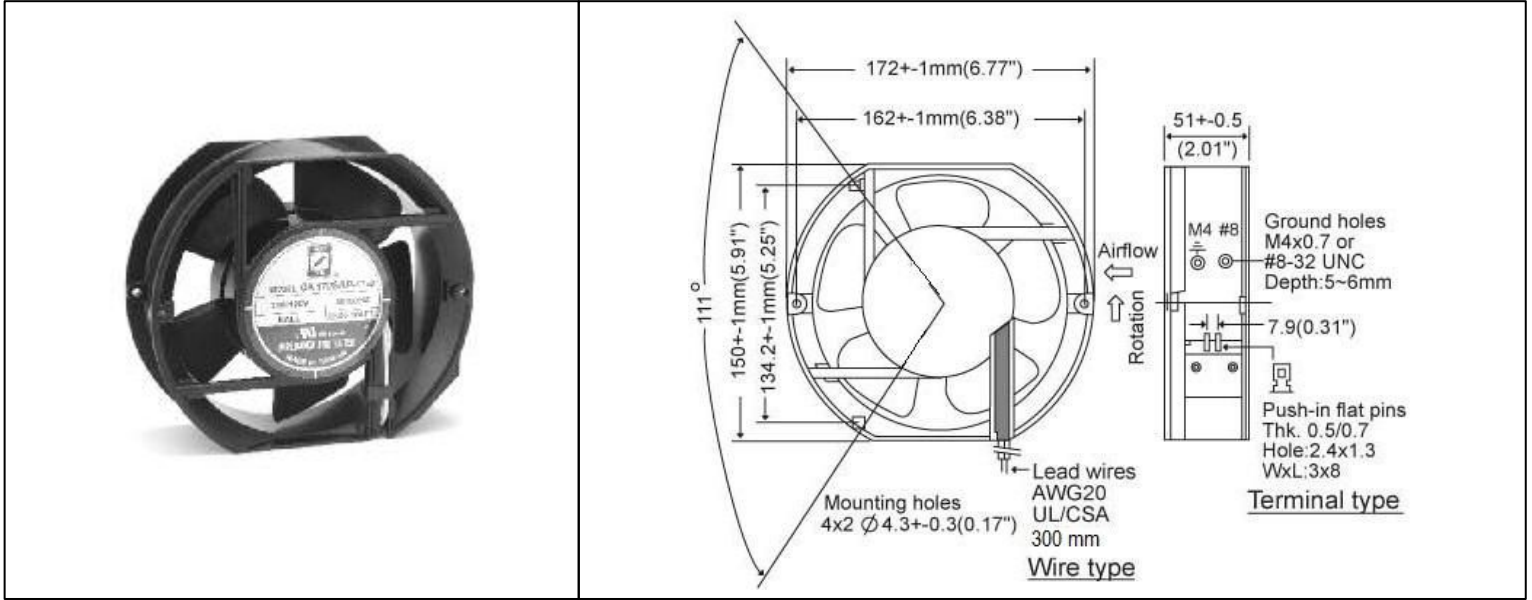


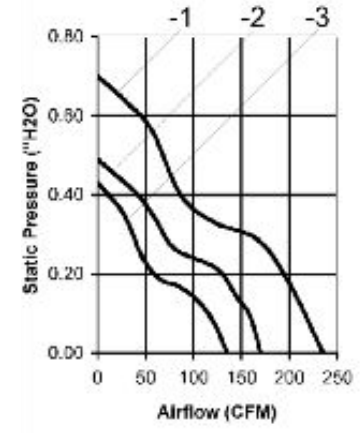
# OA172SAP Series



AC Fans - 115, 230V  
172mm x 150mm x 51mm (6.8" x 5.9" x 2.0")



Frame	Die Cast Aluminum, Black Finish	<b>Operating Temperature</b> -20°C ~ +70°C  <b>Storage Temperature</b> -40°C ~ +80°C  <b>Life Expectancy</b> 60,000 Hours (L10 at 40°C)  Weight: 2.6 lbs
Impeller	PBT, UL94 V-0 Plastic	
Connection	2x Lead Wires or Terminals	
Motor	Capacitor Induction, Single Phase, Thermally Protected	
Bearing System	Dual Ball Bearings	
Dielectric Strength	1500VAC/min, < 1mA	
Insulation Resistance	≥100MΩ @ 500 VDC	



Part Number	Frequency (Hz)	Rated Voltage (Volts AC)	Voltage Range (Volts AC)	Input Power (Watts)	Rated Speed (RPM)	Max Airflow (CFM)	Noise Level (dBA)	Max Static Pressure (\"H <sub>2</sub> O)
OA172SAP-11-1*	50/60	115	80 ~ 130	35	3200	235	52	0.70
OA172SAP-11-2*	50/60	115	80 ~ 130	20	2400	170	42	0.49
OA172SAP-11-3*	50/60	115	80 ~ 130	16	1800	135	33	0.43
OA172SAP-22-1*	50/60	230	160 ~ 260	35	3200	235	52	0.70
OA172SAP-22-2*	50/60	230	160 ~ 260	20	2400	170	42	0.49
OA172SAP-22-3*	50/60	230	160 ~ 260	16	1800	135	33	0.43

\* Indicate "TB" for terminal or "WB" for wire leads  
- 60Hz Values shown in table and PQ graph