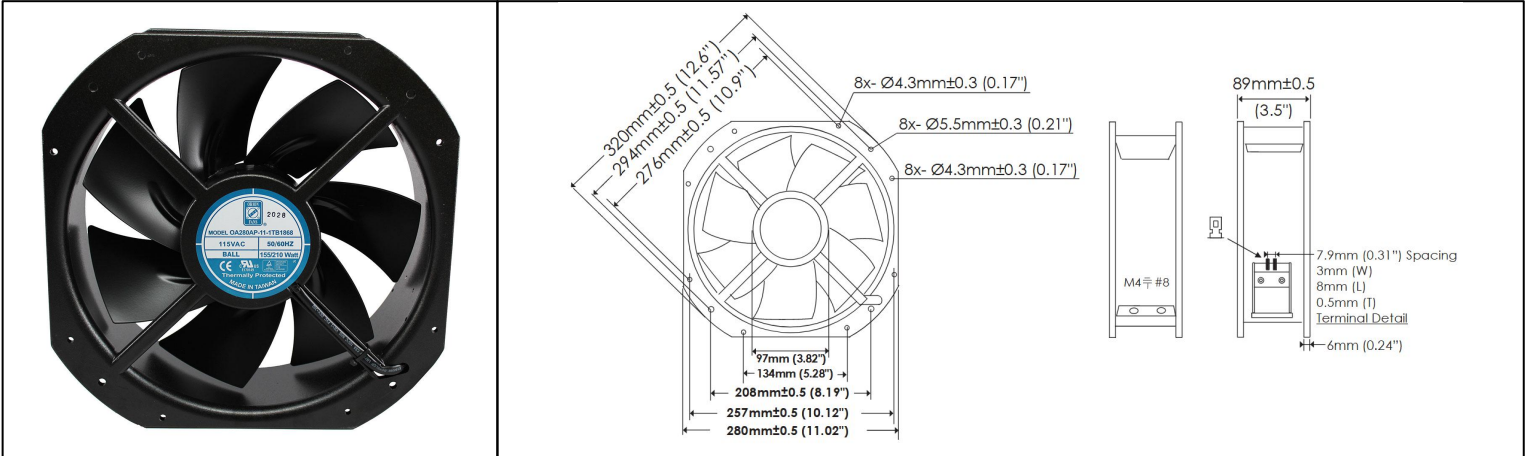


# OA280AP IP68 Series



AC Fan - 115V, 230V  
280x89mm (11"x3.5")



Frame	Die Cast Aluminum, Black	<p><b>Operating Temperature</b> -30°C ~ +80°C</p> <p><b>Storage Temperature</b> -40°C ~ +100°C</p> <p><b>Life Expectancy</b> 50,000 hours (L10 at 55°C)</p> <p>Weight: 7.4 lbs</p>	
Impeller	Steel, All Metal		
Connection	Lead wires 18 AWG, or Terminals		
Motor	AC, Capacitor Induction, Outer Rotor, Single Phase, Thermally Protected, IP68		
Bearing System	Dual Ball Bearings		
Dielectric Strength	1500VAC/min, < 1mA		
Insulation Resistance	Over 100MΩ at 500V DC		

Part Number	Rated Voltage	Input Power	Frequency	Rated Speed (RPM)	Airflow (CFM)	Noise Level (dB)	Max. Static Pressure
OA280AP-11-1*B1868	115 VAC	210 W	60 Hz	3200	1300	73	0.75" H <sub>2</sub> O
OA280AP-22-1*B1868	230 VAC	210 W	60 Hz	3200	1300	73	0.75" H <sub>2</sub> O

\*Use T for Terminal, or W for Lead Wires