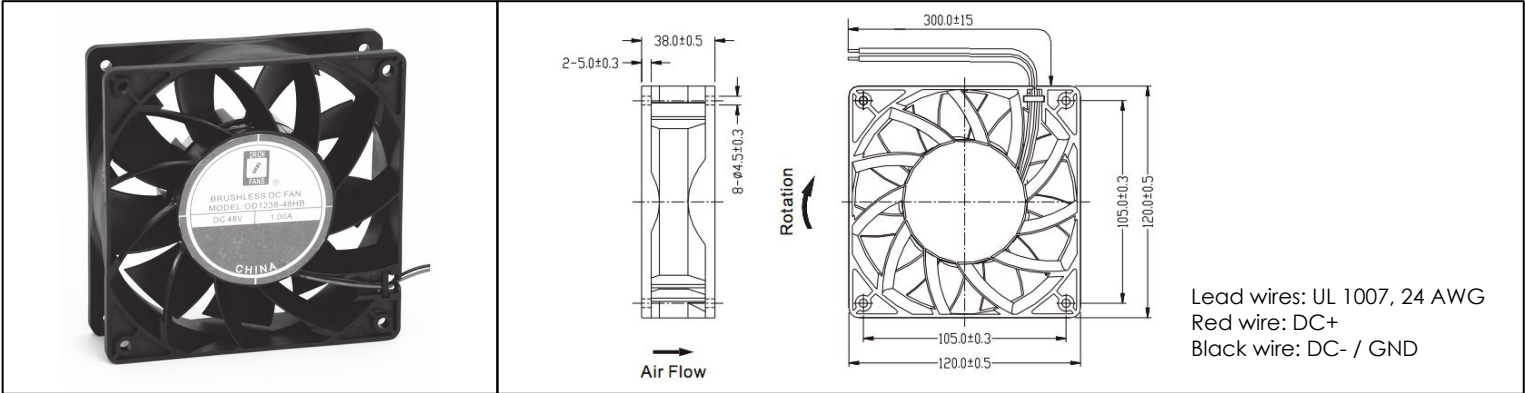


# OD1238 VXC Series

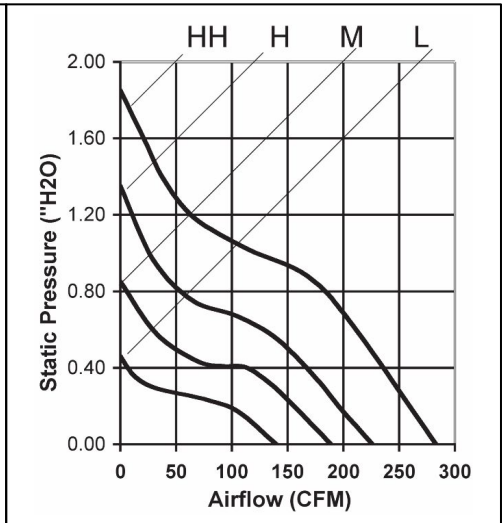


High Performance DC Fans - 12, 24, 48V  
120mm x 38mm (4.7" x 1.5")



Lead wires: UL 1007, 24 AWG  
Red wire: DC+  
Black wire: DC- / GND

Frame	PBT, UL94 V-0 Plastic	<b>Operating Temperature</b> -20°C ~ +75°C  <b>Storage Temperature</b> -40°C ~ +80°C  <b>Life Expectancy</b> 65,000 Hours (L10 at 45°C)  <b>Available Options</b> Tachometer Output Alarm Output PWM Speed Control Input IP55 Rating Salt Fog GR-487 Rating  Weight: 0.78 lbs
Impeller	PBT, UL94 V-0 Plastic	
Connection	2x Lead Wires, 24 AWG	
Motor	Brushless DC, Auto Cutoff, Auto Restart, Polarity Protected, Electronically Protected	
Bearing System	Ball Bearings	
Dielectric Strength	500VDC/min, <1mA	
Insulation Resistance	≥10M Ohm @ 500 VDC	



Part Number	Rated Voltage (Volts DC)	Voltage Range (Volts DC)	Rated Current (Amps)	Rated Speed (RPM)	Max Airflow (CFM)	Noise Level (dBA)	Max Static Pressure (\"H <sub>2</sub> O)
OD1238-12HBVXC	12	6 ~ 14	3.6	5000	226	65	1.35
OD1238-12MBVXC	12	6 ~ 14	2.0	4000	189	59	0.85
OD1238-12LBVXC	12	6 ~ 14	1.5	3000	140	52	0.46
OD1238-24HBVXC	24	12 ~ 28	1.7	5000	226	65	1.35
OD1238-24MBVXC	24	12 ~ 28	1.1	4000	189	59	0.85
OD1238-24LBVXC	24	12 ~ 28	0.6	3000	140	52	0.46
OD1238-48HBVXC	48	24 ~ 52	1.3	6000	283	70	1.85
OD1238-48MBVXC	48	24 ~ 52	1.0	5000	226	65	1.35
OD1238-48LBVXC	48	24 ~ 52	0.6	4000	189	59	0.85
OD1238-48LBVXC	48	24 ~ 52	0.4	3000	140	52	0.46