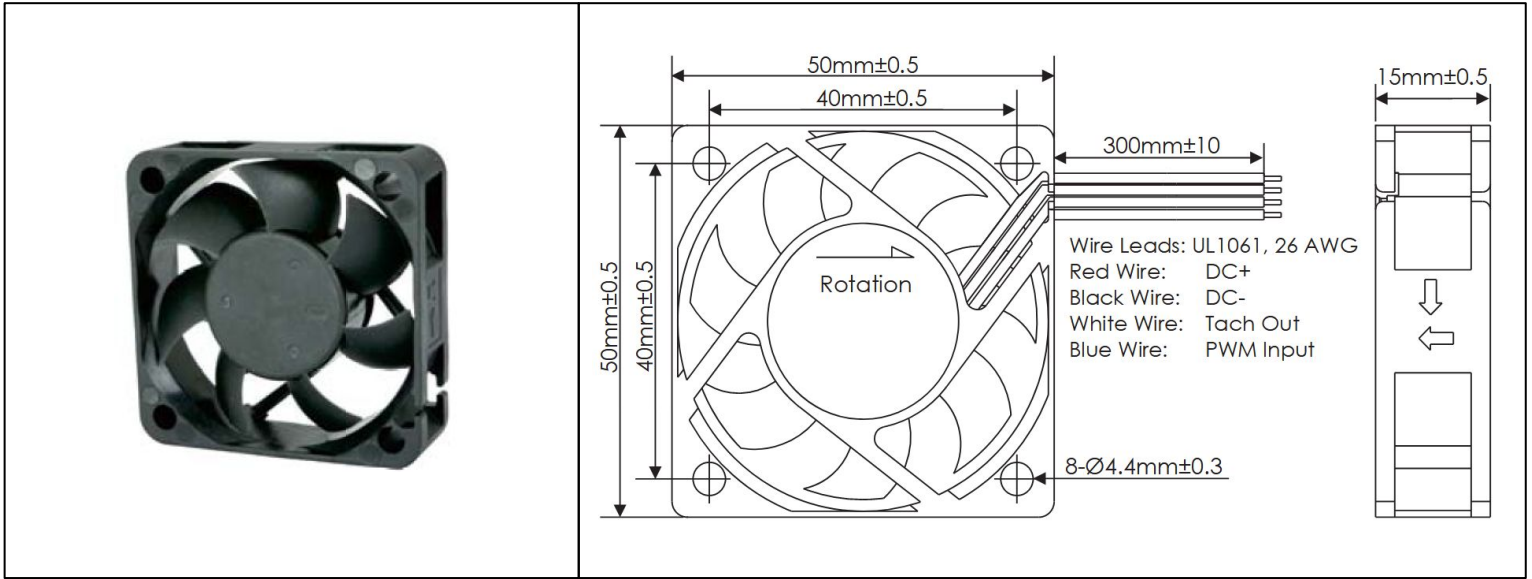


OD5015 Series



DC Fans - 5, 12, 24V
50mm x 50mm x 15mm (2.0" x 0.6")



Frame	PBT, UL94 V-0 Plastic	Operating Temperature -20°C ~ +65°C Storage Temperature -20°C ~ +75°C Life Expectancy 70,000 Hours (L10 at 40°C) Available Options PWM Speed Control Input Tachometer Outputs Alarm Outputs IP Ratings 48V Option Weight: 0.08 lbs	
Impeller	PBT, UL94 V-0 Plastic		
Connection	4x Wire Leads, 26 AWG		
Motor	Brushless DC, Auto Cutoff, Auto Restart, Electronically Protected, Polarity Protected		
Bearing System	Dual Ball Bearings		
Dielectric Strength	500VAC/min, < 1mA		
Insulation Resistance	≥10MΩ @ 500VDC		

Part Number	Rated Voltage (Volts DC)	Voltage Range (Volts DC)	Input Power (Watts)	Rated Current (Amps)	Rated Speed (RPM)	Airflow (CFM)	Noise Level (dB)	Max. Static Pressure ("H ₂ O)
OD5015-05HB	5	4.5 ~ 5.5	0.8	0.13	5475	14	32.1	0.20
OD5015-05MB	5	4.5 ~ 5.5	0.5	0.08	4180	11	25.2	0.16
OD5015-12HHB	12	9 ~ 13.8	2.4	0.20	6950	17	36.2	0.25
OD5015-12HB	12	9 ~ 13.8	1.1	0.09	5475	14	32.1	0.20
OD5015-12MB	12	9 ~ 13.8	0.8	0.06	4180	11	25.2	0.16
OD5015-24HB	24	16 ~ 26	1.5	0.06	5475	14	32.1	0.20
OD5015-24MB	24	16 ~ 26	1.0	0.04	4180	11	25.2	0.16