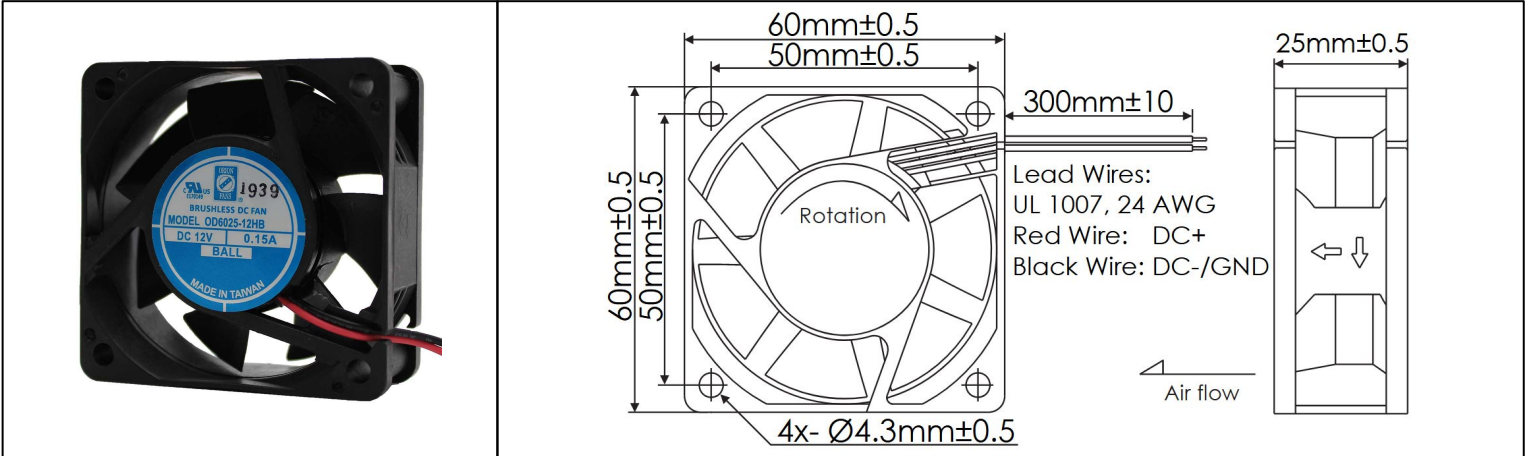


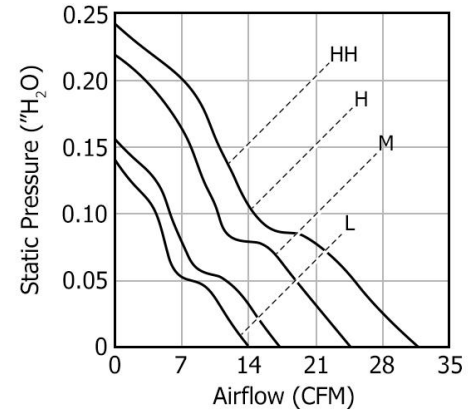
# OD6025 Sealed Sleeve Series



DC Fans - 12, 24, 48V  
60mm x 25mm (2.4" x 1.0")



<b>Frame</b>	PBT, UL94 V-0 plastic	<b>Operating Temperature</b> -20°C ~ +65°C  <b>Storage Temperature</b> -20°C ~ +70°C  <b>Life Expectancy</b> 60,000 Hours (L10 at 45°C)  <b>Available Options</b> Tachometer Output Alarm Output PWM Speed Control Input 5V DC Versions IP and Salt Fog Ratings  <b>Weight:</b> 0.14 lbs
<b>Impeller</b>	PBT, UL94 V-0 plastic	
<b>Connection</b>	2x Lead wires, 24 AWG	
<b>Motor</b>	Brushless DC, Auto Cutoff, Auto Restart, Polarity Protected, Electronically Protected	
<b>Bearing System</b>	Sealed Sleeve	
<b>Dielectric Strength</b>	500VAC/min, < 1mA	
<b>Insulation Resistance</b>	≥10MΩ @ 500 VDC	



Part Number	Rated Voltage (Volts DC)	Voltage Range (Volts DC)	Input Power (Watts)	Rated Current (Amps)	Rated Speed (RPM)	Airflow (CFM)	Noise Level (dBA)	Max. Static Pressure ("H <sub>2</sub> O)
OD6025-12HHSS	12	8 ~ 13.8	1.8	0.21	4390	32	32	0.24"
OD6025-12HSS	12	8 ~ 13.8	1.8	0.15	3975	25	30	0.22"
OD6025-12MSS	12	8 ~ 13.8	1.5	0.12	3150	17	25	0.16"
OD6025-12LSS	12	8 ~ 13.8	1.0	0.08	2480	14	20	0.14"
OD6025-24HHSS	24	15 ~ 26	2.8	0.15	4390	32	32	0.24"
OD6025-24HSS	24	15 ~ 26	2.8	0.12	3975	25	30	0.22"
OD6025-24MSS	24	15 ~ 26	2.2	0.09	3150	17	25	0.16"
OD6025-24LSS	24	15 ~ 26	1.5	0.06	2480	14	20	0.14"
OD6025-48HHSS	48	28 ~ 52	3.4	0.10	4390	32	32	0.24"
OD6025-48HSS	48	28 ~ 52	3.4	0.07	4050	28	30	0.23"