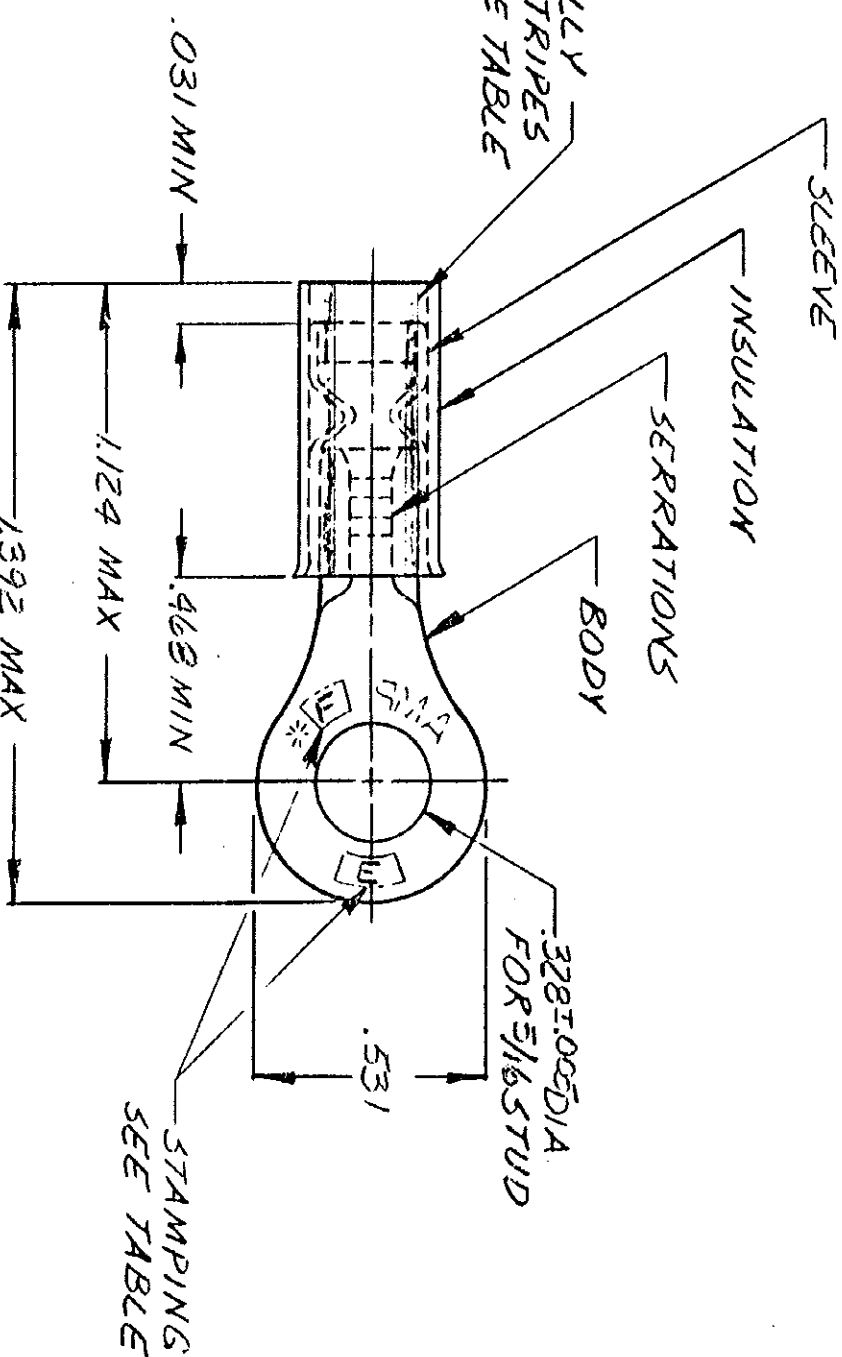
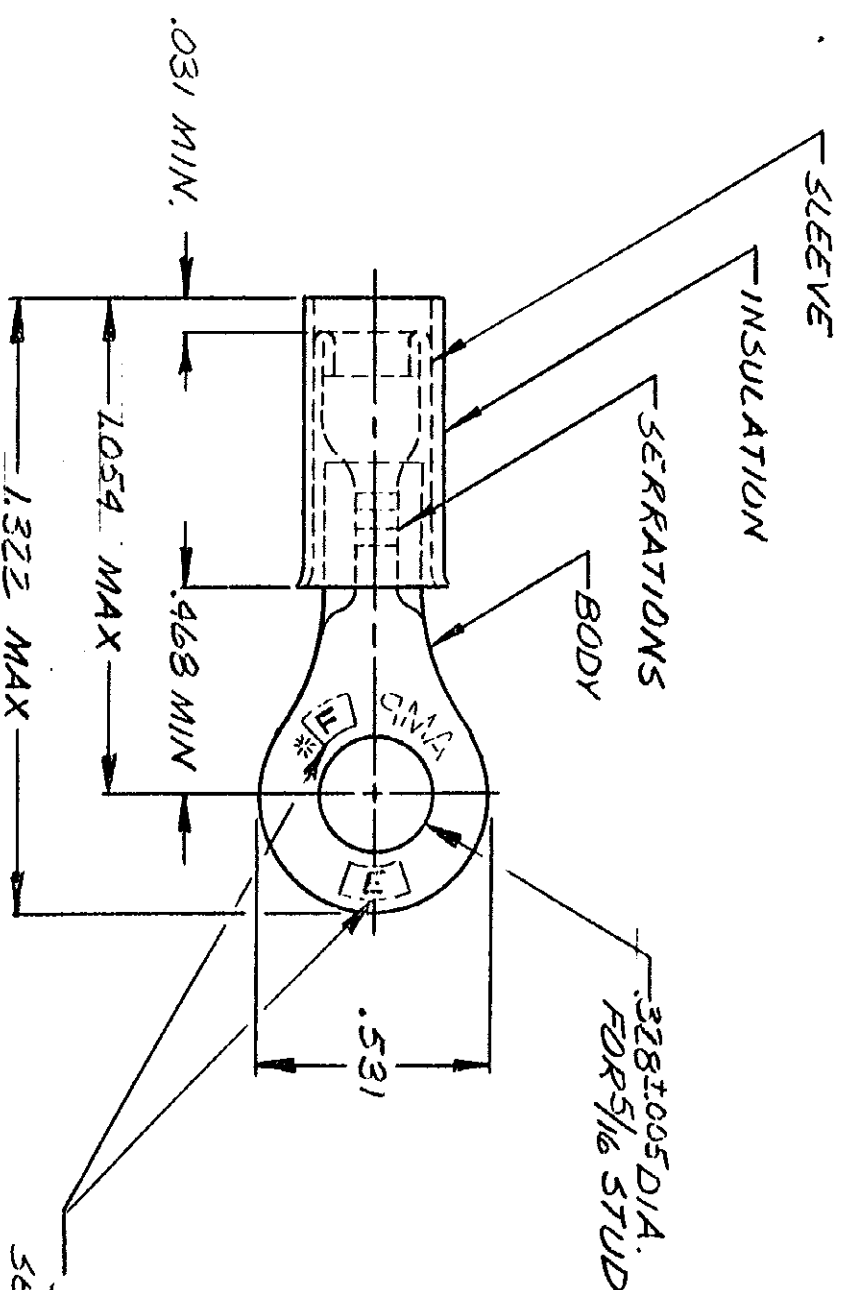


THIS DRAWING IS UNPUBLISHED. RELEASED FOR PUBLICATION
 © COPYRIGHT 19 BY AMP INCORPORATED, HARRISBURG, PA. ALL INTERNATIONAL RIGHTS RESERVED. AMP PRODUCTS MAY BE COVERED BY U.S. AND FOREIGN PATENTS AND/OR PATENTS PENDING.

REV	DATE	APPROVED	DESCRIPTION
1	11/5/55		REVISED 2-1-6 FROM 6-23-55
2	11/5/55		REVISED 2-1-6 FROM 6-23-55
3	11/5/55		REVISED 2-1-6 FROM 6-23-55
4	11/5/55		REVISED 2-1-6 FROM 6-23-55
5	11/5/55		REVISED 2-1-6 FROM 6-23-55
6	11/5/55		REVISED 2-1-6 FROM 6-23-55
7	11/5/55		REVISED 2-1-6 FROM 6-23-55
8	11/5/55		REVISED 2-1-6 FROM 6-23-55
9	11/5/55		REVISED 2-1-6 FROM 6-23-55
10	11/5/55		REVISED 2-1-6 FROM 6-23-55



- 1 TONGUE MATERIAL THK - .040±.002
- 2 TIN PL MIL-T-10727
- 3 NICKEL PL QQ-N-290

3-320576-2	LOOSE PL. BOX	50	'A'	6-9	12-10	.150 / .230	
3-320576-4	ON TAP 5 REEL	500	A	6-9	12-10	.150 / .230	OB5
3-320576-5	ON TAP 5 REEL	500	B	9	10	.119 / .200	BROWN
3-320576-4	ON TAP 5 REEL	500	B	6	12	.095 / .200	BROWN
3-320576-3	LOOSE PIECE	—	B	9	10	.119 / .200	BROWN
3-320576-2	LOOSE PIECE	—	B	6	12	.095 / .200	BROWN
3-320576-1	ON TAP 5 REEL	2500	A	6-9	12-10	.150 / .230	YELLOW
320576	LOOSE PIECE	—	A	6-9	12-10	.150 / .230	—
PART NO	PACKAGE TYPE	QTY	STYLE	STAMPING		WIRE INS DIA	STRIP COLOR

UNLESS OTHERWISE SPECIFIED DIMENSIONS ARE IN INCHES. TOLERANCES ON: DECIMALS ±.008 ANGLES ±.008		MATERIAL SEE TABLE		FINISH SEE TABLE	
OBSOLETE OBSOLETE OBSOLETE		12-10		WIRE SIZE	
12-10		TIN PL MIL-T-10727		BODY FINISH	
10		INSULATION: NYLON MILM-20643, COLOR: YELLOW		SLEEVE	
1/2		AMP		MATERIAL	
12-10		AMP INCORPORATED Harrisburg, Pa. 17105		PART NO	
12-10		3-320576-2		3-320576-2	
12-10		3-320576-4		3-320576-4	
12-10		3-320576-5		3-320576-5	
12-10		3-320576-6		3-320576-6	
12-10		3-320576-7		3-320576-7	
12-10		3-320576-8		3-320576-8	
12-10		3-320576-9		3-320576-9	
12-10		3-320576-10		3-320576-10	
12-10		3-320576-11		3-320576-11	
12-10		3-320576-12		3-320576-12	
12-10		3-320576-13		3-320576-13	
12-10		3-320576-14		3-320576-14	
12-10		3-320576-15		3-320576-15	
12-10		3-320576-16		3-320576-16	
12-10		3-320576-17		3-320576-17	
12-10		3-320576-18		3-320576-18	
12-10		3-320576-19		3-320576-19	
12-10		3-320576-20		3-320576-20	
12-10		3-320576-21		3-320576-21	
12-10		3-320576-22		3-320576-22	
12-10		3-320576-23		3-320576-23	
12-10		3-320576-24		3-320576-24	
12-10		3-320576-25		3-320576-25	
12-10		3-320576-26		3-320576-26	
12-10		3-320576-27		3-320576-27	
12-10		3-320576-28		3-320576-28	
12-10		3-320576-29		3-320576-29	
12-10		3-320576-30		3-320576-30	
12-10		3-320576-31		3-320576-31	
12-10		3-320576-32		3-320576-32	
12-10		3-320576-33		3-320576-33	
12-10		3-320576-34		3-320576-34	
12-10		3-320576-35		3-320576-35	
12-10		3-320576-36		3-320576-36	
12-10		3-320576-37		3-320576-37	
12-10		3-320576-38		3-320576-38	
12-10		3-320576-39		3-320576-39	
12-10		3-320576-40		3-320576-40	
12-10		3-320576-41		3-320576-41	
12-10		3-320576-42		3-320576-42	
12-10		3-320576-43		3-320576-43	
12-10		3-320576-44		3-320576-44	
12-10		3-320576-45		3-320576-45	
12-10		3-320576-46		3-320576-46	
12-10		3-320576-47		3-320576-47	
12-10		3-320576-48		3-320576-48	
12-10		3-320576-49		3-320576-49	
12-10		3-320576-50		3-320576-50	

SCALE NTS SHEET

TERMINAL, PIDG, RING

SIZE FCSCM NO DRAWING NO

C 00779 320576