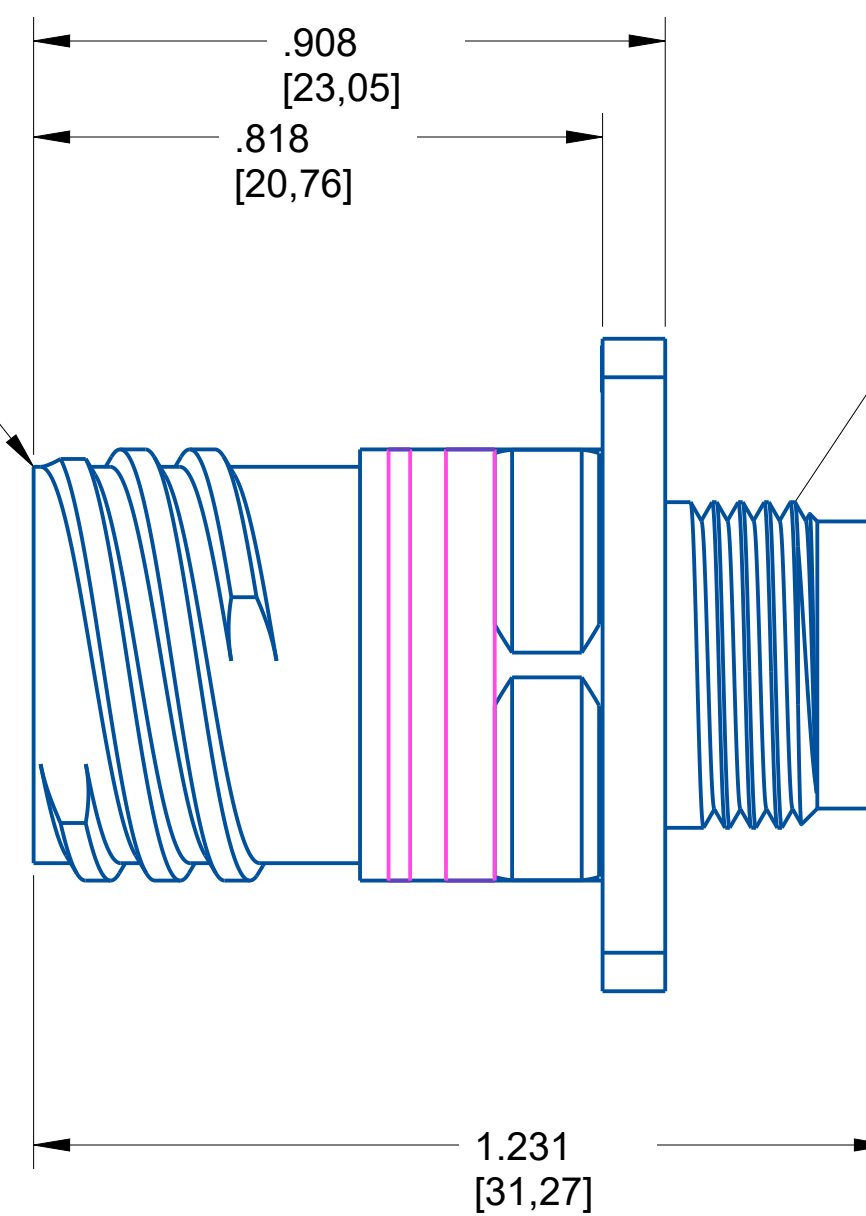


For mating dimensions see MIL-DTL-38999 Series III

Reference MIL-STD-1560 for insert arrangement details.



For rear shell features and accessories see MIL-DTL-38999 Series III

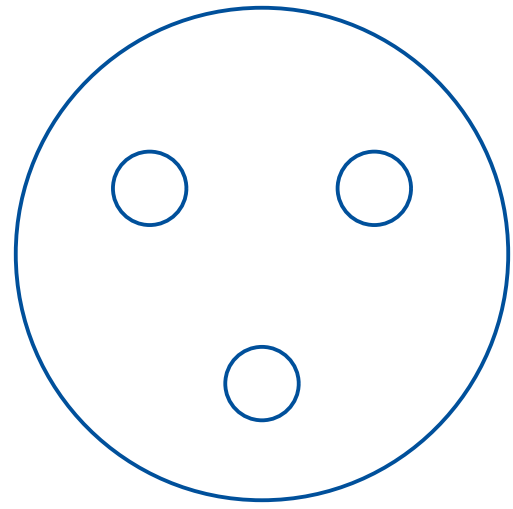
**NOTE:**  
 -DRAWING NOT TO SCALE  
 -DIMENSIONS SUBJECT TO CHANGE  
 -DIMENSIONS ARE IN INCHES [MM]

PROPERTY OF AMPHENOL AEROSPACE. ALL RIGHTS RESERVED.

Meets requirements of MIL-DTL-38999  
 Base Material: Aluminum  
 Plating: Durmalon

<b>AMPHENOL CORPORATION</b> <small>40-60 DELAWARE AVENUE SIDNEY, N.Y. 13838</small>			
<b>RECEPTACLE</b> Electrical Connector D38999/20			<b>U</b>
<small>SIZE</small> <b>C</b>	<small>CAGE CODE</small> <b>77820</b>	<small>CODED NUMBER</small> <b>D38999/20TA98PN</b>	<small>REV</small> <b>X1</b>
SHEET 1 OF 1			

# Insert Arrangement



No. of Contacts	3
Contact Size	20
Wire Size	24, 22, 20

Shell Size	A
Arrangement	98
Service Rating	I
Test Current	7.5 AMPS

**NOTE:**  
 -DRAWING NOT TO SCALE  
 -DIMENSIONS SUBJECT TO CHANGE  
 -DIMENSIONS ARE IN INCHES [MM]

PROPERTY OF AMPHENOL AEROSPACE. ALL RIGHTS RESERVED.

<b>AMPHENOL CORPORATION</b> <small>40-60 DELAWARE AVENUE SIDNEY, N.Y. 13838</small>			
RECEPTACLE Electrical Connector D38999/20			U
SIZE <b>C</b>	CAGE CODE <b>77820</b>	CODED NUMBER <b>D38999/20TA98PN</b>	REV <b>X1</b>
SHEET 1 OF 1			