



Certifications & Ratings

- RoHS compliant

Application

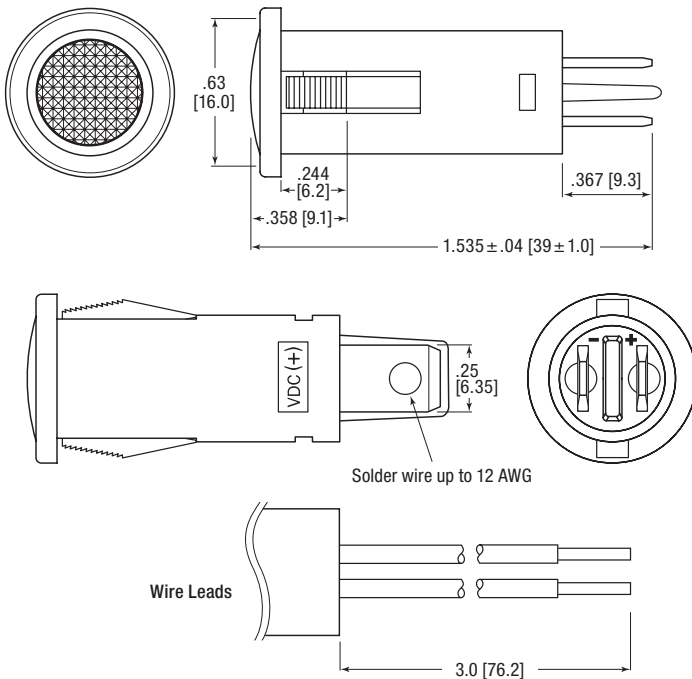
The 655 Series LED Panel Mount Indicators are designed for a variety of applications such as.

- Main power indication
 - Remote power indication
 - Status indication
 - Maintenance and warning indication
 - Instrumentation
- ... and many more!

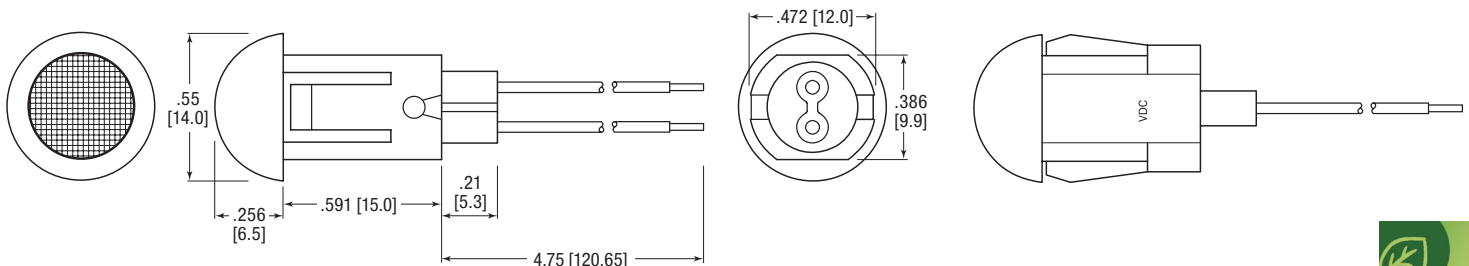
Dimensions

inches [mm]

Flat Lens



Domed Lens



Mechanical Information

Mounting Hole Size: 0.50" (12.7 mm)

Max Panel Thickness: 0.138" (3.5 mm) (Domed Lens);
0.216" (5.5 mm) (Flat Lens)

Specifications

Voltage Options: 12 & 24 VDC and 120 & 230 VAC (Flat Lens only), no resistor required

Operating temp: -20 °C to +85 °C (-4 °F to +185 °F)

Storage Temp: -20 °C to +85 °C (-4 °F to +185 °F)

Electrical Connection: 250 Faston quick connect terminals (Flat Lens only) or wire leads

Housing: Polycarbonate

Terminals: Brass—Nickel Plated (Flat Lens only)

Wire Leads: 18 AWG (Flat Lens),
26 AWG (Domed Lens)

Ordering Information 655 Series

Dialight P/N		Color	Voltage	Current (mA)	Typical Intensity (mcd)
Wire Leads	Solder Terminals				

Flat Lens

Dialight P/N	Dialight P/N	Color	Voltage	Current (mA)	Typical Intensity (mcd)
655-1103-103F	655-1103-104F	Red	12 VDC	20	270
655-1203-103F	655-1203-104F	Green			700
655-1303-103F	655-1303-104F	Yellow			200
655-1403-103F	655-1403-104F	Blue			100
655-1104-103F	655-1104-104F	Red	24 VDC	20	270
655-1204-103F	655-1204-104F	Green			700
655-1304-103F	655-1304-104F	Yellow			200
655-1404-103F	655-1404-104F	Blue			100
655-1105-103F	655-1105-104F	Red	120 VAC	5	60
655-1205-103F	655-1205-104F	Green			110
655-1305-103F	655-1305-104F	Yellow			70
655-1405-103F	655-1405-104F	Blue			25
655-1109-103F	655-1109-104F	Red	230 VAC	3	60
655-1209-103F	655-1209-104F	Green			110
655-1309-103F	655-1309-104F	Yellow			70
655-1409-103F	655-1409-104F	Blue			25

Domed Lens

Dialight P/N	Dialight P/N	Color	Voltage	Current (mA)	Typical Intensity (mcd)
655-2103-103F	NA	Red	12 VDC	20	3000
655-2203-103F	NA	Green			2500
655-2303-103F	NA	Yellow			1500
655-2403-103F	NA	Blue			700
655-2104-103F	NA	Red	24 VDC	20	3000
655-2204-103F	NA	Green			2500
655-2304-103F	NA	Yellow			1500
655-2404-103F	NA	Blue			700

Part Number Guide

RoHS Compliant

6	5	5	-	X	X	X	X	-	1	0	X	F
Lens Style		Voltage		Termination								
Flat	1	3	12 VDC	3	Wire Leads							
Domed	2	4	24 VDC	4	Solder Terminals (Flat Lens only)							
Color		5	120 VAC	(Flat Lens only)								
Red	1	0	9	230 VAC	(Flat Lens only)							
Green	2	0										
Yellow	3	0										
Blue	4	0										

Dialight reserves the right to make changes at any time in order to supply the best product possible. The most current version of this document will always be available at: www.dialightsignalsandcomponents.com

Warranty Statement: Except for the warranty expressly provided for [herein/above/below], Dialight disclaims any and all other warranties, express or implied, including, without limitation, any warranties of merchantability, fitness for a particular purpose, title, and noninfringement.