

Type 0ALA

1000VDC, Fast Acting Fuse

0ALA Series

RoHS Compliant

Description

Fast Acting fuse for DC Application



Features

- Excellent DC performance
- Full compliance with EU Directive 2011/65/EU and amending directive 2015/863
- Design to UL248-1 & UL248-20

Applications

DC Applications
EV/HEV/ESS Applications

Physical Specifications

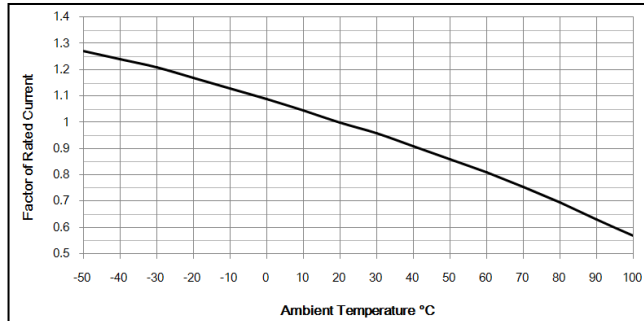
Materials	Body : Ceramic
	Terminals : Tin Plated Copper
Marking	On Fuse :
	"bel", "0ALA",
	"Current Rating", "Voltage Rating", "Interrupting Rating"
	On Label :
	"bel", "0ALAX", "Current Rating", "Voltage Rating", "Interrupting Rating", and "  ", "  " (China RoHS compliant).

Ratings

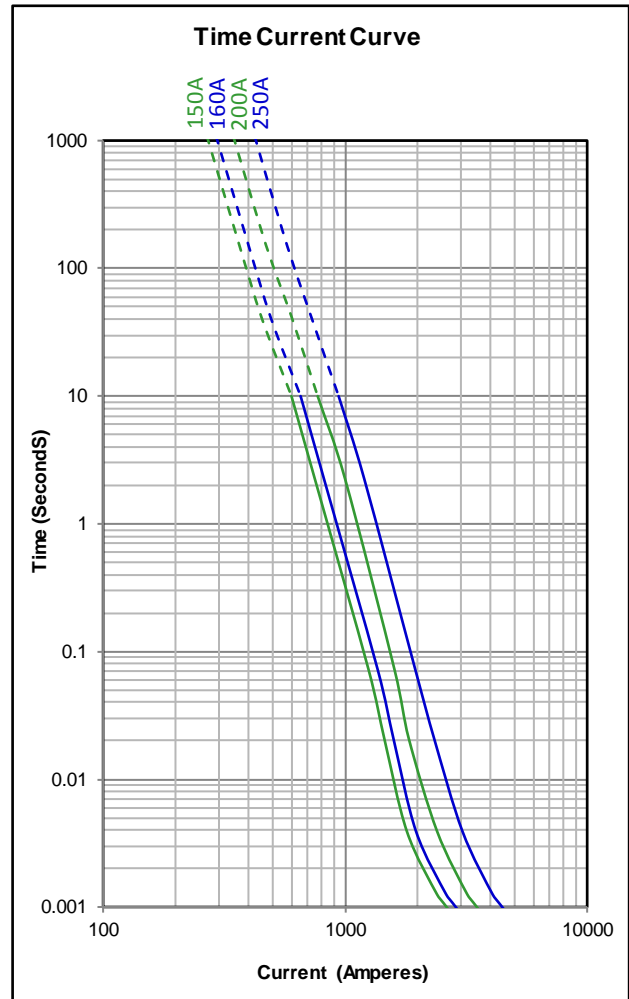
Ampere Rating / Voltage Rating	Ampere Range / Volt @ I.R. ability*
150A-250A / 1000V DC	150A-250A / 1000V @ 50kA DC
*I.R.= Interrupting Rating = Short Circuit Rating(Amps)	

Temperature Re-Rating Curve

Operating Temperature: -40°C to +100°C, with proper re-rating factor applied



Average Time Current Curve



Electrical Specifications

Part Number	Ampere Rating	Voltage and Interrupting Ratings	0.5In Power Loss (W)
0ALAxK150-xx	150A	See Table of Ratings on Page 1 for Voltage and associated Interrupting Ratings	4.5
0ALAxK160-xx	160A		5.2
0ALAxK200-xx	200A		6.6
0ALAxK250-xx	250A		8.5

Consult manufacturer for other ratings



Specifications subject to change without notice

Bel Fuse Inc.
206 Van Vorst Street
Jersey City, NJ 07302 USA

+1 201.432.0463
Bel.US.CS@belf.com
belfuse.com/circuit-protection

Type 0ALA

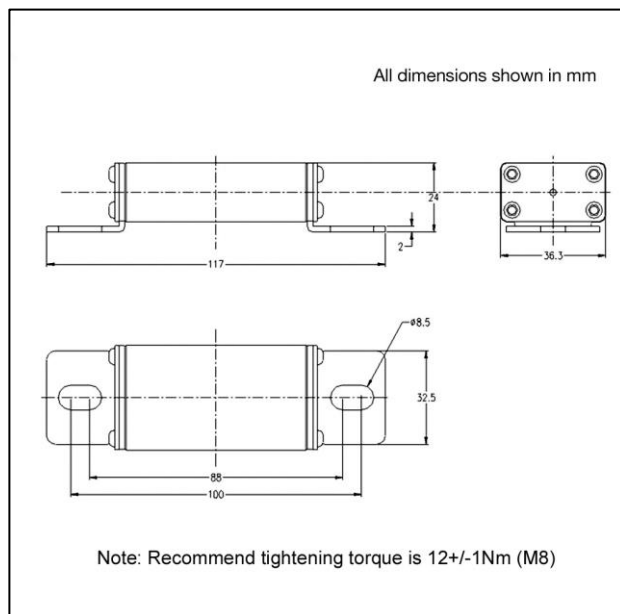
Fuse FGNO Explanation

0ALA X [XXXX] -XX

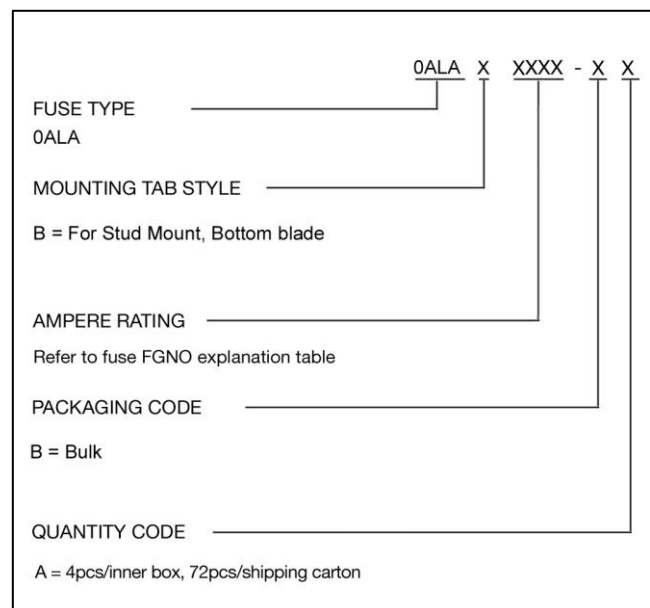
0ALAB=0ALAB; [XXXX]=Ampere Rating; XX=See Ordering Information as below

Amps	Bel FGNO[XXXX]
150	K150
160	K160
200	K200
250	K250

Mechanical Dimensions



Ordering Information



Packaging

Packaging Option	Quantity	Packaging Code
Bulk	4pcs/inner box, 72pcs/shipping carton	BA