

Type 0ALE

Electric vehicle auxiliary fuses

0ALE Series

RoHS Compliant

Description

The 0ALEX fuse is designed for protection of high-voltage accessory circuits in Electric Vehicle and Hybrid Electric Vehicles and Energy Storage System

Features



- 500Vdc ideal for EV or HEV or ESS application
- Excellent DC performance
- Stud-mount, optional for other installation
- Reliability performance design refer to ISO8820-8&GB/T31465.6
- Design to EV fuse standard UL248-20
- Full compliance with EU Directive 2011/65/EU and amending directive 2015/863

Applications

Provide individual protection for components or internal circuits.



Physical Specifications

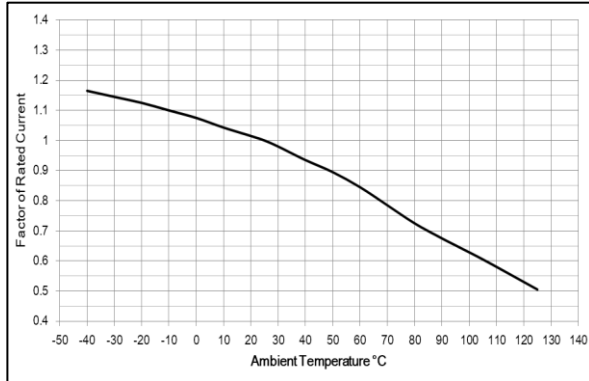
Materials	Body : Ceramic
	Cap : Tin Plated Copper Caps
	Terminals : Tin Plated Copper (For stud Mount type)
Marking	On Fuse :
	"bel"
	"0ALE", "Current Rating", "Voltage Rating"
	On Label :
	"bel", "0ALEX", "Current Rating", "Voltage Rating", "Interrupting Rating", and "  ", "  " (China RoHS compliant).

Ratings

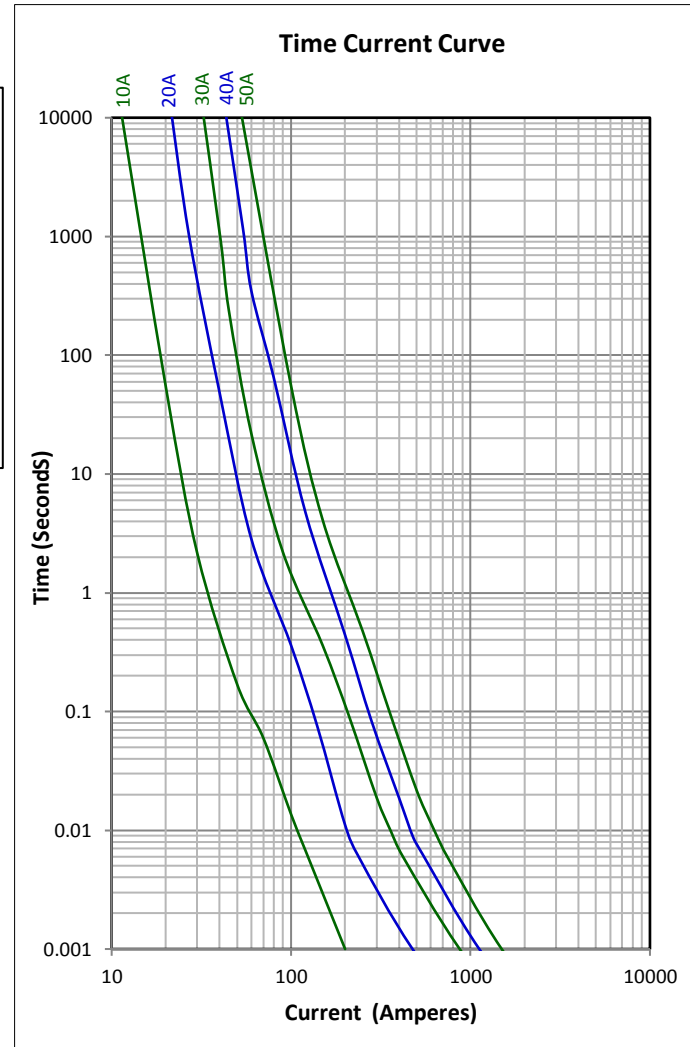
Ampere Rating / Voltage Rating	Ampere Range / Volt @ I.R. ability*
10A - 50A / 500V DC	10A - 50A / 500V @ 20kA DC
*I.R.= Interrupting Rating = Short Circuit Rating (Amps)	

Temperature Derating Curve

Operating Temperature: -40°C to +125°C,
with proper derating factor applied



Average Time Current Curve



Electrical Specifications

Part Number	Ampere Rating	Typical Cold Resistance (mohms)	Typical Voltage Drop (mV)	Voltage and Interrupting Ratings	Typical pre-arcing I ² t (A ² sec)
0ALEx9100-xx	10A	13.5	185	See Table of Ratings on Page 1 for Voltage and associated Interrupting Ratings	130
0ALEx9200-xx	20A	5.1	145		435
0ALEx9300-xx	30A	3.1	150		1650
0ALEx9400-xx	40A	2.2	150		2850
0ALEx9500-xx	50A	1.65	165		5250

Consult manufacturer for other ratings

Temperature Rise <=50K with 70% of rated current

Typical pre-arcing I²t measured at 10In



Specifications subject to change without notice

Bel Fuse Inc.
206 Van Vorst Street
Jersey City, NJ 07302 USA

+1 201.432.0463
Bel.US.CS@belf.com
belfuse.com/circuit-protection

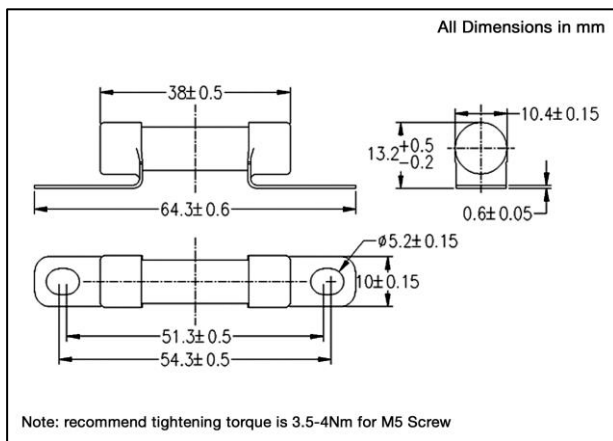
Fuse FGNO Explanation

0ALE X [XXXX] - XX

0ALEB=0ALEB; [XXXX]=Ampere Rating; XX=See Ordering Information as below

Amps	Bel FGNO[XXX]
10	9100
20	9200
30	9300
40	9400
50	9500

Mechanical Dimensions



Ordering Information

0ALE X XXXX - X X

FUSE TYPE _____

0ALE

Mounting Tab Style _____

B=For Stand Mount

AMPERE RATING _____

Refer to fuse FGNO explanation table

PACKAGING CODE _____

P = Plastic tray pack

QUANTITY CODE _____

D = 40pcs/tray, 400pcs/carton box

Packaging

Packaging Option	Quantity	Packaging Code
Plastic tray pack	40pcs / plastic tray, 400pcs (10 plastic tray) / carton box	PD