

# Type 0AKS

## 500VDC Fuse for EV/HEV

0AKS Series

RoHS Compliant

### Description

DC fuse for EV/HEV



### Features

- Excellent DC performance
- Stud-mount, optional for other installation
- Designed to EV fuse standard UL248-20
- Full compliance with EU Directive 2011/65/EU and amending directive 2015/863
- Reliability performance design refers to ISO8820-8&GB/T31465.6

### Applications

EV or HEV application

### Physical Specifications

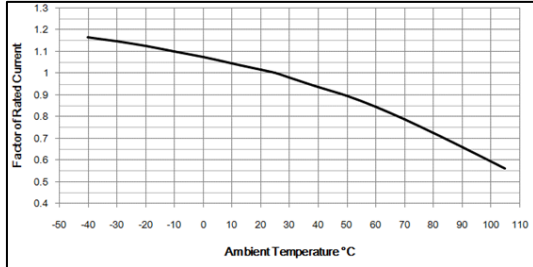
Materials	Body : Ceramic
	Terminals : Tin Plated Copper
Marking	On Fuse :
	"bel", "0AKS",
	"Current Rating", "Voltage Rating", "Interrupting Rating"
	On Label :
	"bel", "0AKSX", "Current Rating", "Voltage Rating", "Interrupting Rating", and "  ", "  "(China RoHS compliant).

### Ratings

Ampere Rating / Voltage Rating	Ampere Range / Volt @ I.R. ability*
400A-500A / 500V DC	400A-500A / 500V @ 50kA DC
*I.R.= Interrupting Rating = Short Circuit Rating(Amps)	

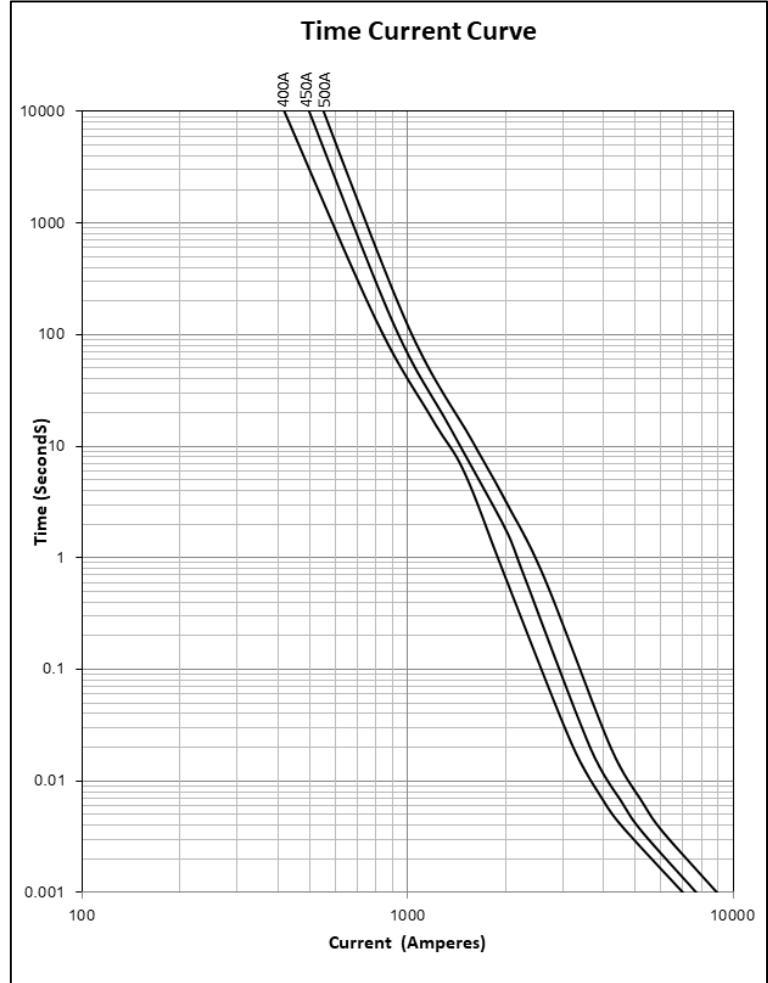
## Temperature Re-Rating Curve

Normal Operating Temperature: 25°C ± 2°C  
 Operating Temperature: -40°C to 105°C with proper correction factor applied.  
 Chart of correction factor



Storage Temperature: -40°C to 105°C

## Average Time Current Curve



## Electrical Specifications

Part Number	Ampere Rating	Voltage and Interrupting Ratings	Power Loss 0.5In (W)
0AKSXX400-XX	400A	See Table of Ratings on Page 1 for Voltage and associated Interrupting Ratings	10.6
0AKSXX450-XX	450A		11.5
0AKSXX500-XX	500A		12.2

Consult manufacturer for other ratings



Specifications subject to change without notice

Bel Fuse Inc.  
 206 Van Vorst Street  
 Jersey City, NJ 07302 USA

+1 201.432.0463  
 Bel.US.CS@belf.com  
[belfuse.com/circuit-protection](http://belfuse.com/circuit-protection)

# Type 0AKS

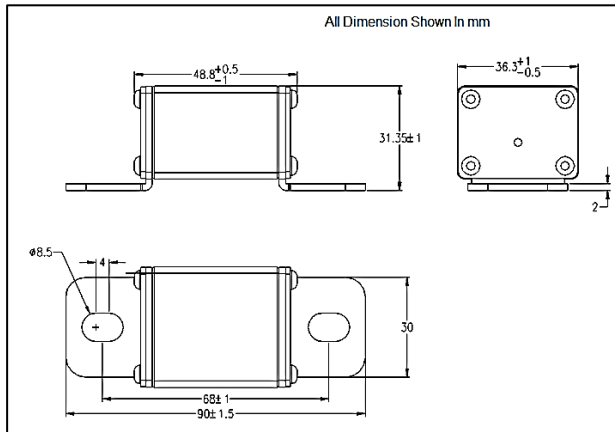
## Fuse FGNO Explanation

0AKS X [XXXX] -XX

0AKSB=0AKSB; [XXXX]=Ampere Rating; XX=See Ordering Information as below

Amps	Bel FGNO[XXXX]
400	K400
450	K450
500	K500

## Mechanical Dimensions



Note: Recommend tightening torque is 12+/-1.0Nm (M8)

## Ordering Information

**0AKS X XXXX - X X**

FUSE TYPE \_\_\_\_\_

0AKS

MOUNTING TAB STYLE \_\_\_\_\_

B-For Stud Mount Bottom blade

AMPERE RATING \_\_\_\_\_

Refer to fuse FGNO explanation table

PACKAGING CODE \_\_\_\_\_

B = Bulk

QUANTITY CODE \_\_\_\_\_

A = 60pcs/box

## Packaging

Packaging Option	Quantity	Packaging Code
Bulk	60pcs/box	BA