

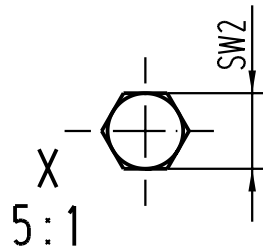
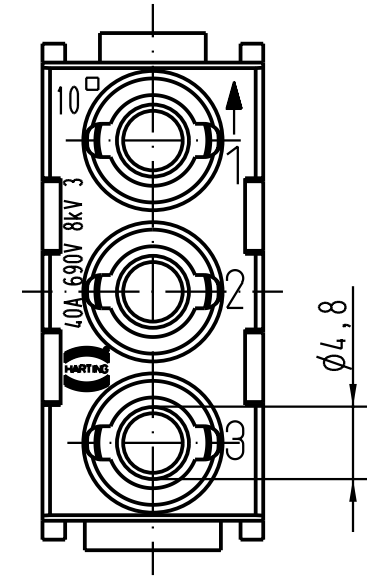
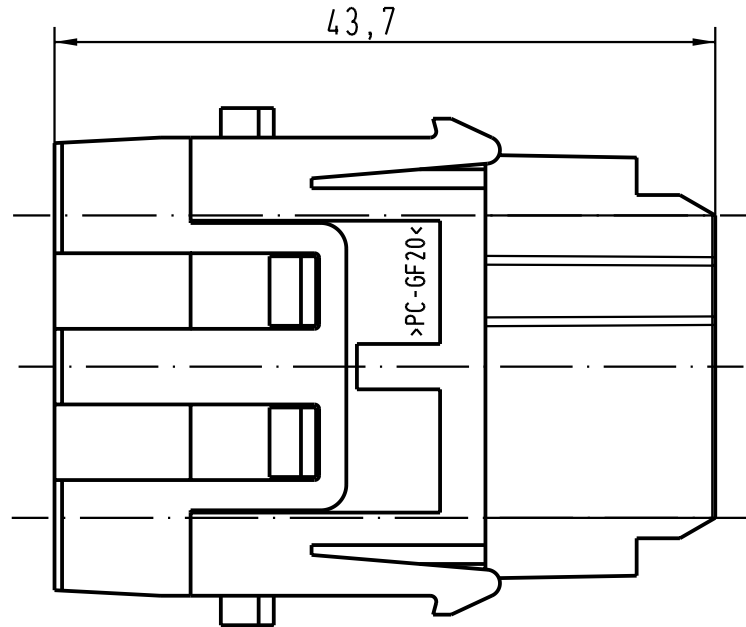
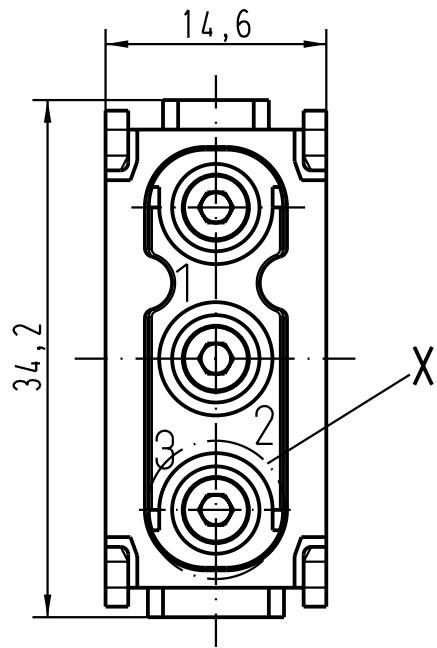
5

4

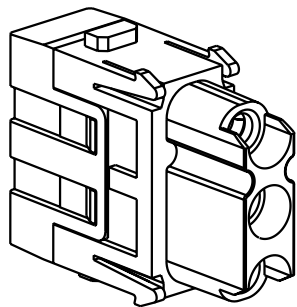
3

2

1



für Litze 6 - 10mm<sup>2</sup>, AWG 10 - 8, feindrähtig  
for stranded wire 6 - 10mm<sup>2</sup>, AWG 10 - 8, fine wire



|   |      |                                |                   |      |  |  |
|---|------|--------------------------------|-------------------|------|--|--|
| All Dimensions in mm<br>Original Size DIN A 4 |      | Techn. Character.              |                   |      | Nicht tolerierte Masse/ Free size tolerances |  |
|   |      |                                | Dat.              | Name | Massstab/Scale<br>2:1<br>5:1                 | Han Axialschraub-Modul-40A/<br>Han axial screw-module-40A<br>Buchseneinsatz(F)/ female insert(F) |
|   |      | Detail.                        | 02.03.04          | ML   |  |  |
|   |      | Insp.                          |                   | FER. |  |  |
|   |      | Stand.                         |                   |      |  |  |
| 411003  |      | HARTING Electric GmbH & Co. KG |                   |      |  | TB 09 14 003 2702  |
| Mod.  | Dat. | Name                           | D-32339 Espelkamp |      |  |  |
| Sub.  |      |                                |                   |      |  | Blatt/ page  |

D

C

B

A