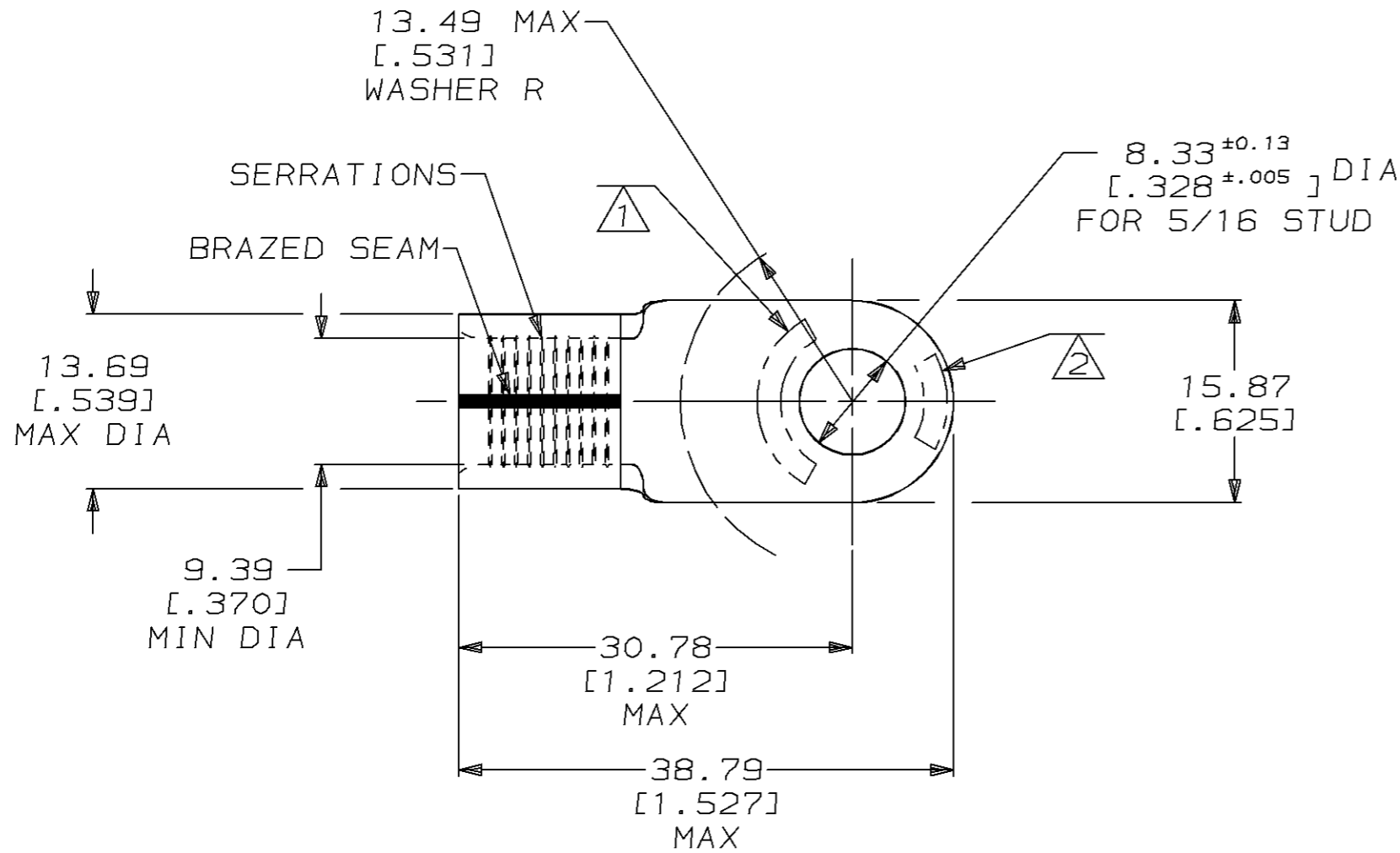


THIS DRAWING IS UNPUBLISHED. RELEASED FOR PUBLICATION, 19 .
 © COPYRIGHT 19 BY AMP INCORPORATED. ALL INTERNATIONAL RIGHTS RESERVED.

LOC	DIST	P	F	REVISIONS				
G	14			ZONE	LTR	DESCRIPTION	DATE	APPD
					H	REVISED PER 0L20-0045-97	24MAR97	JKS CHK

AMP PART NUMBER	PACKAGE TYPE	QTY	
8-322870-3	LOOSE PIECE, BOX	25	△4
8-322870-5	LOOSE PIECE, BAG	10	△4

AMP WIRE RANGE	E13288 Listed
2 AWG SOLID OR STRANDED	2 AWG STRANDED
LR7189 Certified	MILITARY P/N AND CLASS
2 AWG SOLID OR STRANDED	MS 20659-147 CLASS 2 △6



- △1 STAMP AMP 2W* APPROX AS SHOWN
- △2 STAMP 60-75 APPROX AS SHOWN
- 3 MATERIAL THK: 1.78±0.08 [.070±.003]
- △4 TIN PL 0.00254 [.000100] MIN THK PER MIL-T-10727
- △5 NICKEL PL 0.00762 [.000300] MIN EXT THK PER QQ-N-290
- △7 GOLD PL 0.00127 [.000050] MIN THK PER MIL-G-45204 OVER NICKEL PL 0.00076 [.000030] MIN THK PER QQ-N-290

343°C MAX	-△5	2-322870-2
260°C MAX	-△7	2-322870-1
170°C MAX	-△4	322870 △6
TEMPERATURE RATING	FINISH	AMP PART NUMBER
DR 5/25/93 DK SCHRUM	AMP AMP Incorporated Harrisburg, PA 17105-3608	
CHK 1/27/94 RD HEIM	NAME TERMINAL, RING TONGUE, SOLISTRAND™	
APPD 1/27/94 RE ROSEER	SIZE B	CAGE CODE 00779
APPD 1/27/94 JL MECKLEY	DRAWING NO C-322870	
PRODUCT SPEC -	SCALE 2:1	SHEET 1 OF 1
APPLICATION SPEC -		
WEIGHT -		

AMP INCORPORATED
CUSTOMER SERVICE SYSTEMS

FOR ADDITIONAL PRODUCT INFORMATION OR COPIES OF DRAWINGS AND TECHNICAL DOCUMENTS
 PRODUCT INFORMATION CENTER
 1-800-522-6752

FOR APPLICATION TOOLING INFORMATION
 TOOLING ASSISTANCE CENTER
 1-800-722-1111

FOR ORDER ENTRY
 1-800-526-5142

MAX RECOMMENDED OPERATING TEMPERATURE:
 SEE TABLE

VOLTAGE RATING:
 NOT APPLICABLE

WIRE CROSS SECTIONAL AREA RANGE:
 26.7-42.4mm² [52,600-83,700] CIR MILS
 SOLID OR STRANDED

THIS DRAWING IS A CONTROLLED DOCUMENT FOR AMP INCORPORATED. IT IS SUBJECT TO CHANGE AND THE CONTROLLING ENGINEERING ORGANIZATION SHOULD BE CONTACTED FOR THE LATEST REVISION.

DO NOT SCALE PRINT. UNLESS SPECIFIED DIMENSIONS IN mm [INCHES] TOLERANCES ON:
 2 PLC DEC ± 0.20 [.008]
 3 PLC DEC ± -
 ANGLES ± -

MATERIAL
 COPPER PER ASTM B-152 ANNEALED

FINISH
 SEE TABLE