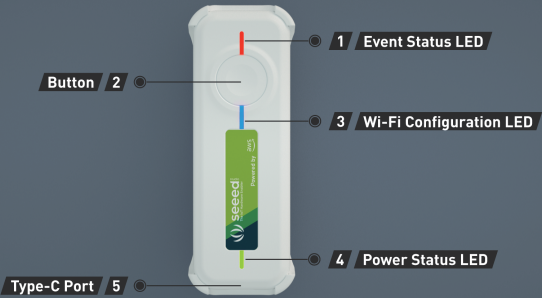


Seed IoT Button For AWS - Instruction Manual



Hardware Overview



Before Starting

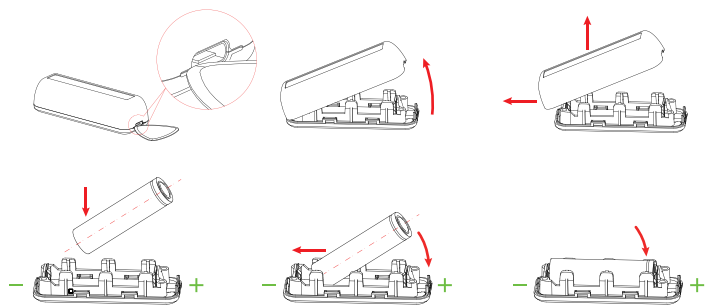
To use this button, you need to have the following two items:

- An NCR18650B chargeable Li-ion battery
- A Type-C USB cable

Battery Installation Guide

Since the battery is not included in this package, we recommend you buy the NCR18650B chargeable Li-ion battery. Please follow the Battery installation guide below.





Device Activation

When using the device for the first time, you must install the battery and charge it by connecting the device to a computer or power adapter using a USB Type-C cable. When the power status LED is green, it indicates the battery is charging.

Note :

When the Power Status LED is red, it indicates that the battery is reversed!

LED Status Table

Power LED Status	Indication
Green ON	Battery Charging
Green OFF	Battery Finished Charging
Red	Battery Reversed
Event LED Status	Indication
White flashes --> Green	Event sent successfully
White flashes --> Red	Event sent failed
White flashes --> Orange	Wi-Fi connection failed, please check router or change network configuration
White flashes --> Purple	The server connection failed, please check the network environment
Red Steady	The certificate has not been flashed or the certificate is invalid
Wi-Fi Configuration LED Status	Indication
Blue flashing	BLE network configuring

For more information and instructions on how to connect the button to your Wi-Fi using the iOS or Android app, please visit our wiki:

<http://wiki.seeedstudio.com/SEEED-IOT-BUTTON-FOR-AWS/>



For more information please scan the QR code or visit our website:
<https://www.seeedstudio.com/>

