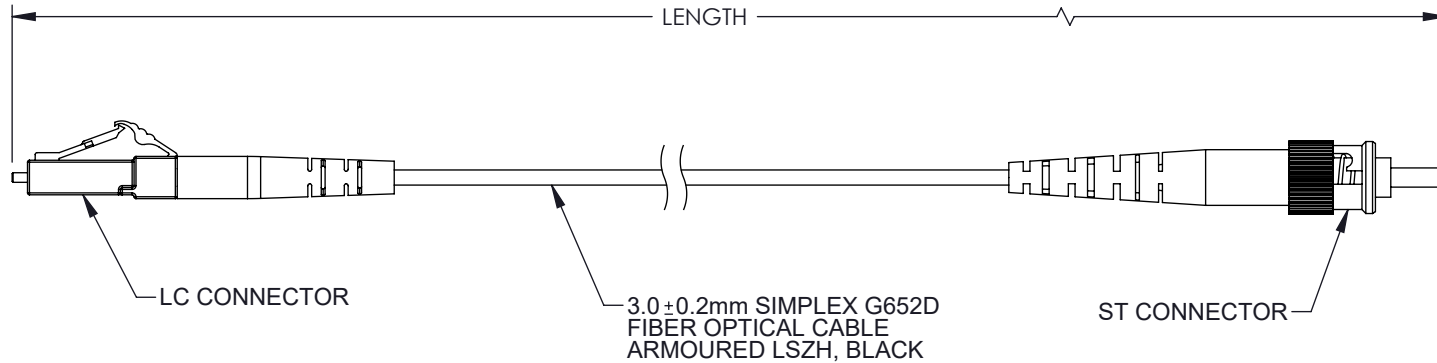


THE INFORMATION CONTAINED IN THIS DRAWING IS THE SOLE PROPERTY OF L-COM, INC. ANY REPRODUCTION IN PART OR WHOLE WITHOUT THE WRITTEN PERMISSION OF L-COM, INC. IS PROHIBITED.

| REVISIONS | | | |
|-----------|-----------------|-----------|-----------|
| REV | DESCRIPTION | DATE | APPROVED |
| A | INITIAL RELEASE | 1/25/2022 | JJOHNSTON |
| | | | |
| | | | |




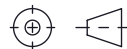
| PART NUMBER | LENGTH METER [FEET] |
|----------------|---------------------|
| FCA-SLCUSTUS2 | 2.0 [6.56] |
| FCA-SLCUSTUS5 | 5.0 [16.40] |
| FCA-SLCUSTUS10 | 10.0 [32.81] |
| FCA-SLCUSTUS15 | 15.0 [49.21] |

NOTES:

1. LC CONNECTOR 1 ASSEMBLY POLISH TYPE: UPC.
2. ST CONNECTOR 1 ASSEMBLY POLISH TYPE: UPC.
3. ALL CONNECTORS ACCOMPANIED WITH A DUST CAP INSTALLED (NOT SHOWN).
4. CABLE ASSEMBLY SHALL BE INDIVIDUALLY PACKAGED.

REGULATORY COMPLIANCE:

EU RoHS DIRECTIVE (MOST RECENT RELEASED VERSION)

| | | | | | | |
|--|---|--|--|---|---------------------------------|------------------|
| UNLESS OTHERWISE SPECIFIED, DIMENSIONS ARE IN INCHES [mm] OVERALL CABLE LENGTH TOLERANCE: ≤12 [305] = +1 [25] / -0 >12 [305] ≤60 [1524] = +2 [51] / -0 >60 [1524] ≤120 [3048] = +4 [102] / -0 >120 [3048] ≤300 [7620] = +6 [152] / -0 >300 [7620] = +5% / -0 ALL OTHER DIMENSIONAL TOLERANCES: .X = ± .2 [5] FRACTIONS ± 1/32 .XX = ± .02 [.5] ANGLES ± 1° .XXX = ± .005 [.13] | APPROVALS DRAWN BY DMAY CHECKED BY JJOHNSTON APPROVED BY JJOHNSTON | DATE 1/14/22 1/25/22 1/25/22 |  an INFINITO brand | 50 High Street, West Mill, North Andover, MA 01845 USA. Phone: 1.800.341.5266 1.978.682.6936 | | |
| | CONFIGURATION DETAILS OF UNDIMENSIONED FEATURES MAY VARY | CATEGORY FIBER OPTICS | | | | |
| THIRD-ANGLE PROJECTION  | COLOR VARIATIONS MAY OCCUR | PRODUCT DESCRIPTION FIBER OPTIC PATCH CORD SM G652D SIMPLEX LC/UPC-ST/UPC ARMORED 3.0mm LSZH BLACK | SIZE A | CAGE CODE 43321 | ITEM NO. FCA-SLCUSTUS | REV. A |
| SCALE: NONE | | CAD FILE: FCA-SLCUSTUS.SLDDRW | | SHEET 1 OF 1 | | |