

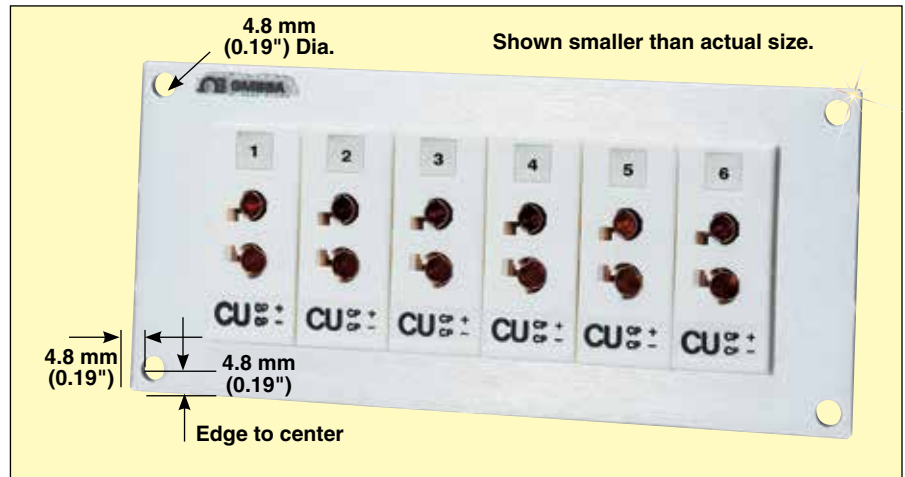
# Jack Panels

## With Color-Coded Standard Connectors



### SJP Series

- ✓ Universal Female Connector
- ✓ Fully Assembled
- ✓ Snap-In Jacks
- ✓ Easy Installation
- ✓ Convenient
- ✓ Rugged 2.3 mm (0.09") Anodized Aluminum Panels



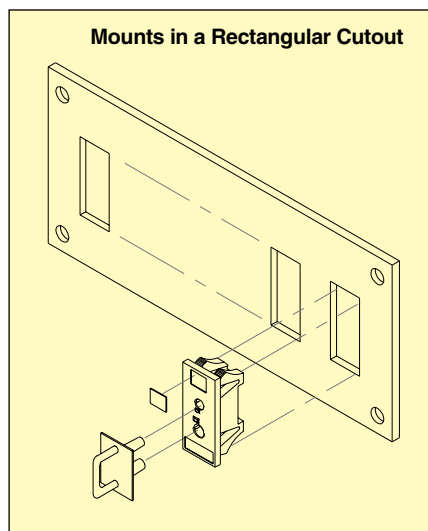
Omega's standard size jack panels are fabricated using snap-in SJP connectors in a 2.3 mm (0.09") aluminum panel.

The snap-in jacks contain two female, collet-type, spring-loaded terminals that will accept any standard or miniature male thermocouple connector. They accommodate wires up to 14 AWG and are made from alloys to match ANSI thermocouple grade calibrations. The connector bodies are molded of high-impact plastic and have a maximum service temperature of 205°C (401°F). The panels are machined from rugged 2.3 mm (0.09") aluminum with a brushed finish. Clear anodizing adds durability and corrosion resistance.

Because of the infinite variety of panel sizes and the different thermocouple calibrations, we are not able to list prices. Please consult the Sales Department for prices on any configuration not listed.

Specify number of rows, total number of jacks and calibration.

**NOTE:** Male plugs can be supplied in place of female jacks on all Omega™ panels, if desired.



Dust Caps: SPJ-CAP-12, pkg of 12. I.D. labels shown for illustration purposes only.



### Price and Quantity Discount Information

Prices available at [omega.com](http://omega.com) for J, K, T, E, R, S, N and U calibrations.

Standard size panel jacks, model number **SJP** Calibrations J, K, T, E, R, S, N and U. Tungsten alloy types G, C and D. Use connector quantity discount schedule below. Blank panel prices are not discounted.

#### Extra ID Number Labels:

Model 1-6L,	1 thru 6
Model 1-12L,	1 thru 12
Model 1-18L,	1 thru 18
Model 1-24L,	1 thru 24
Model 1-50L,	1 thru 50
Model 1-100L,	1 thru 100

#### Hole Spacing:

4.8 mm (0.19") in on both sides, 4.8 mm (0.19") dia. hole for #8 screw

I.D. Labels supply loose for customer to identify in the field.

### To Order

Circuits Per Row	Dimensions mm (inch)	1 Row 67 H (2.63)	2 Rows 113 H (4.38)	3 Rows 168 H (6.63)	4 Rows 203 H (8.00)
6	146 L (5.75)	SJP1-06-(* )	SJP2-12-(* )	SJP3-18-(* )	SJP4-24-(* )
12	260 L (10.25)	SJP1-12-(* )	SJP2-24-(* )	SJP3-36-(* )	SJP4-48-(* )
18	375 L (14.75)	SJP1-18-(* )	SJP2-36-(* )	SJP3-54-(* )	SJP4-72-(* )

\*Indicate calibration: J, K, T, E, R, S, N or U.

Ordering Example: SJP2-36-K, double row color-coded jack panel with Type K connector.

**Consult Custom Engineering Department for information on custom color-coded anodized panels. Non-standard Panels: \$1,000 minimum order. Contact [custom@omega.com](mailto:custom@omega.com) for pricing and availability.**