

2-WAY ANTI-WATERHAMMER SOLENOID VALVES

SV280 Series



- ✓ Durable Brass Valve Body
- ✓ SV283 to SV287 Offer Adjustable Closing Time and Manual Override

TYPICAL APPLICATIONS

- ✓ Water Treatment
- ✓ Irrigation
- ✓ Cooling
- ✓ Car Washing Equipment
- ✓ Petroleum Processing
- ✓ Dish and Bottle Washing

The SV281 through SV287 Series valves are 2-way, pilot-operated, anti-waterhammer, and normally closed. These valves are designed to reduce or control waterhammer, which typically occurs with incompressible fluids when the closing of a valve creates a sudden change of the fluid velocity. Restriction of the pilot flow in these valves will prevent them from slamming closed. Valve and piping system life is enhanced since the noise, vibration, and shock of waterhammer are reduced.

Where small flows ($C_v < 3.0$) at relatively low pressure differentials are present, the waterhammer is eliminated by the fixed restriction of the pilot flow. This is the standard

design in the industry. The SV283 through SV287 valves offer additional features. To reduce waterhammer in high-flow applications, a unique field adjustment device can effectively control the waterhammer in an application. The closing time on these valves can be adjusted by a 4-position selector. Position 1 allows the fastest closing, position 4 the slowest. There is also a manual override screw that is only used if the coil has failed.

SPECIFICATIONS

Operation: SV281 to SV287 pilot operated

Wetted Parts: Brass, stainless steel, copper, and seal (SV281 and SV282, also FKM)

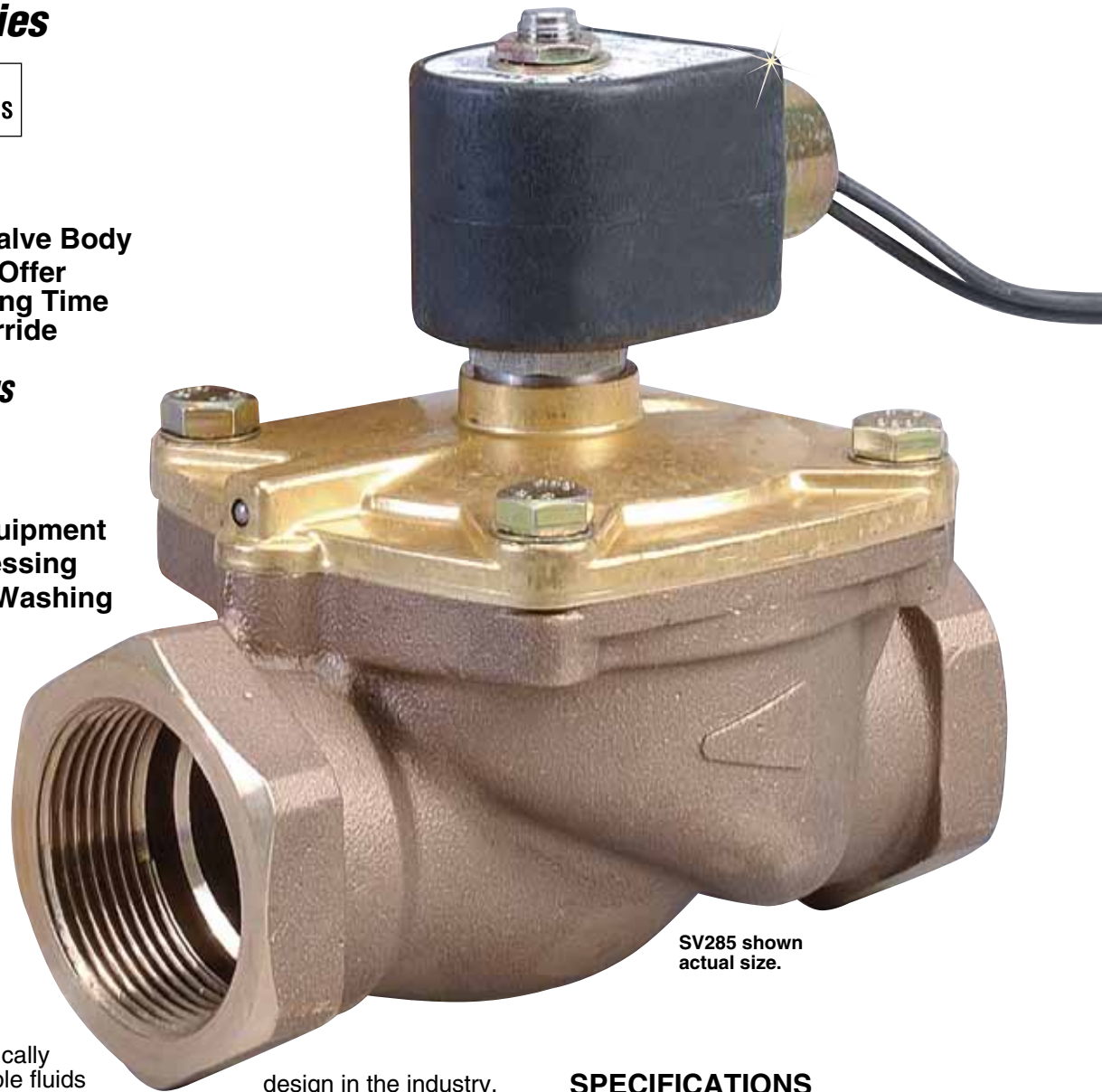
Medium: Liquid or gases

Max Static Pressure: 5 times max psid

Ambient Temp: 9 to 50°C (15 to 122°F)

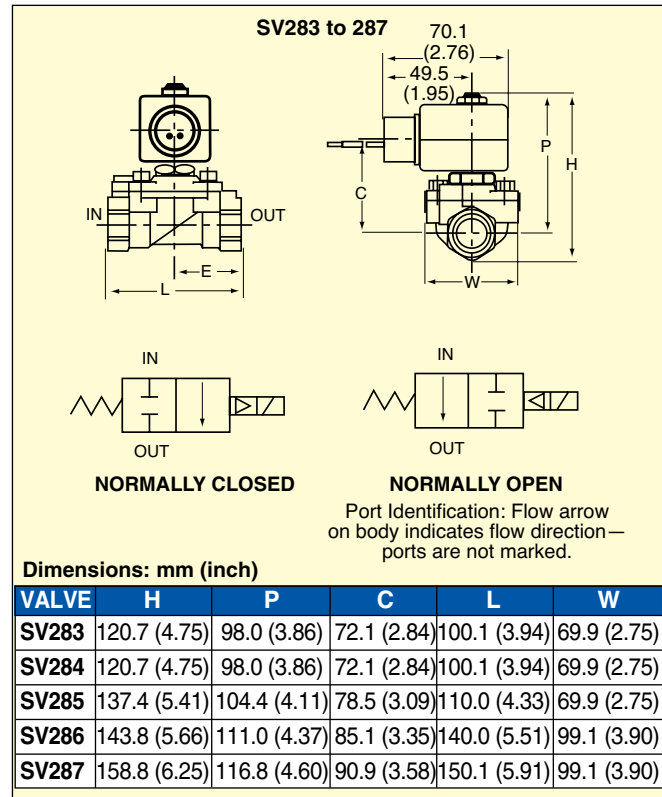
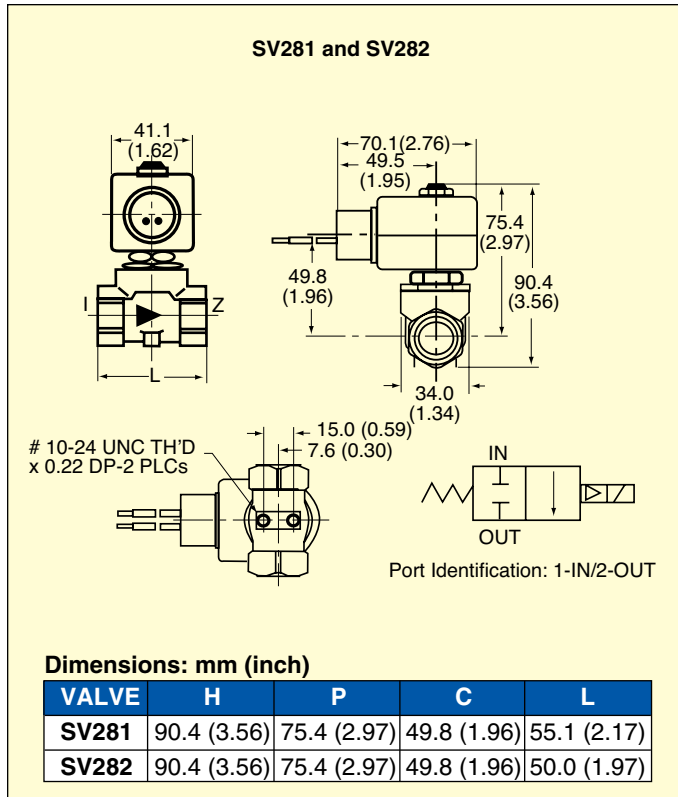
Mounting: Pipe mounting, any direction

Power: 10 W, 120 Vac, Class F



SV285 shown actual size.

PILOT-OPERATED, NORMALLY CLOSED, BRASS VALVE BODY, 2-WAY ANTI-WATERHAMMER SOLENOID VALVES



To Order

MODEL NO.	FITTING	NPT ORIFICE	C _v	SEAL	DIFF PRES (psid)		TEMP		RESPONSE TIME	
					MIN	MAX	°C	°F	OPEN	CLOSE
SV281*	3/8	7/16"	2.5	Buna-N	3	150	85	185	15 ms	850 ms
SV282*	1/2	9/16"	2.5	Buna-N	3	150	85	185	15 ms	850 ms
SV283	3/4	3/4"	9.6	Buna-N	5	230	85	185	100 to 250 ms	0.6 to 4.5 s
SV284	1	1"	12.5	Buna-N	5	230	85	185	100 to 250 ms	0.5 to 4.5 s
SV285	1 1/4	1 1/8"	19.3	Buna-N	5	230	85	185	250 to 500 ms	0.8 to 5.8 s
SV286	1 1/2	1 9/16"	29.0	Buna-N	5	230	85	185	250 to 400 ms	1.5 to 9.0 s
SV287	2	1 9/16"	38.6	Buna-N	5	230	85	185	250 to 450 ms	1.5 to 9.5 s

* Response time is non-adjustable.

Comes complete with operator's manual.

ACCESSORIES

MODEL NO.	DESCRIPTION
SVCOIL-110AC	Replacement coil, 110 Vac
SVCOIL-220AC	Replacement coil, 220 Vac
SVCOIL-24VDC	Replacement coil, 24 Vdc

Note: Some solenoid valves are available with 24 Vdc coils. Five piece minimum order. UL approval is not available with 24 Vdc coils. Specifications effected; pressure ratings may decrease; coil wattage ratings may increase. Consult Engineering.

Ordering Examples: SV283, 2-way, anti-waterhammer, pilot-operated, brass body NC valve with 3/4 NPT fitting and Buna-N seal.
SV287, 2-way, anti-waterhammer, pilot-operated, brass body NC valve with 2 NPT fitting and Buna-N seal.