

LQH44PN150MPR#

“#” indicates a package specification code.

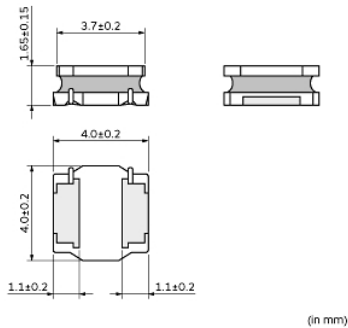
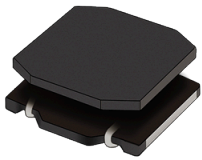
Size Code 4040 (1515) in mm (in inch), 1.8mm max. Thickness. Low DC resistance design

In Production
New
General
RoHS
REACH
125 °C max.
Wound (Ferrite)
Reflow OK

< List of part numbers with package codes >

LQH44PN150MPRK LQH44PN150MPRL

Appearance & Shape



References

Packaging	Specifications	Standard Packing Quantity
K	330Embossed Tape	3500
L	180Embossed Tape	1000

Mass (typ.)	
1 piece	0.105g

Notices

When rated current is applied to the products, keep the temperature (ambient temperature plus self-generation of heat) under 125°C.

Attention

- This datasheet is downloaded from the website of Murata Manufacturing Co., Ltd. Therefore, its specifications are subject to change or our products in it may be discontinued without advance notice. Please check with our sales representatives or product engineers before ordering.
- This datasheet has only typical specifications because there is no space for detailed specifications. Therefore, please review our product specifications or consult the approval sheet for product specifications before ordering.

LQH44PN150MPR#

“#” indicates a package specification code.



Specifications

L size	4.0±0.2mm
W size	4.0±0.2mm
T size	1.65±0.15mm
Size code inch (mm)	1515 (4040)
Inductance	15μH±20%
Inductance Test Frequency	100kHz
Rated current (Isat) (Based on Inductance change)	1300mA
Rated current (Itemp) (Based on Temperature rise)	1100mA
Max. of DC resistance	0.24Ω
Operating Temperature Range (Self-temperature rise is included)	-40°C to 125°C
Class of magnetic shield	Magnetic Resin
Self resonance frequency (min.)	18MHz
Operating Temperature Range (Self-temperature rise is not included)	-40°C to 85°C
Brand	Murata
DC Resistance Intermediate Values	0.2Ω±20%
Series	LQH44PN_PR

Attention

1.This datasheet is downloaded from the website of Murata Manufacturing Co., Ltd. Therefore, it's specifications are subject to change or our products in it may be discontinued without advance notice. Please check with our sales representatives or product engineers before ordering.

2.This datasheet has only typical specifications because there is no space for detailed specifications.

Therefore, please review our product specifications or consult the approval sheet for product specifications before ordering.