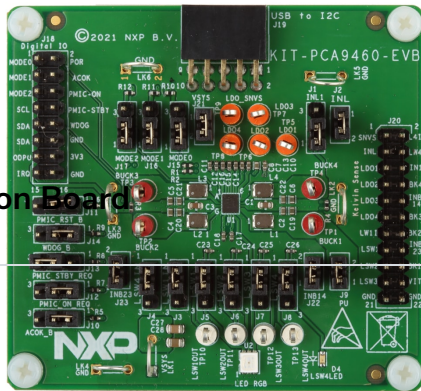


PCA9460 Evaluation Board

KIT-PCA9460-EVB [Receive alerts](#)




[\(/www.nxp.com\)](http://www.nxp.com)

PCA9460 Evaluation Board



Roll over image to zoom in

- [\(/assets/ima board-im](#)
- [\(/assets/ima board-im](#)
- [\(/assets/ima board-im](#)
- [\(/assets/ima board-im](#)
- [\(/assets/ima board-im](#)

The PCA9460 is a general purpose single chip power management IC (PMIC) designed to support different microcontrollers and microprocessors for different applications for the consumer and industrial markets. The PCA9460 is fully compatible with the i.MX 8ULP processor. The PCA9460 provides power supply solutions for low power wearable applications where size and efficiency are critical. The device provides four high-efficiency step-down regulators, four LDOs, one 10 mA SNVS LDO and four load switches with active discharge resistor. This PCA9460-EVK board provides full access to all the features in the PCA9460 device. The evaluation kit comes with a FTDI cable used as a communication interface between I²C and USB to have control of the PMIC's configuration registers using the PCA9460 GUI software.

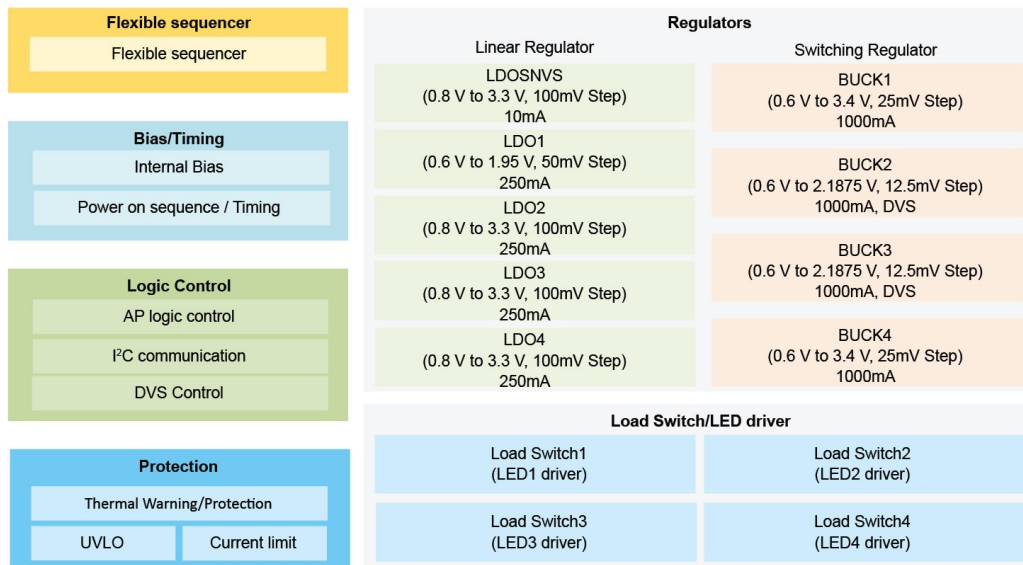
Product Details

Select a section:

[Block Diagram](#) |
 [Supported Devices](#) |
 [Features](#) |
 [Applications](#)

Block Diagram

PCA9460 Block Diagram



[GET DIAGRAM PDF \(/ASSETS/BLOCK-DIAGRAM/EN/KIT-PCA9460-EVB.PDF\)](#)

Supported Devices

Power Management

PMICs

- [PCA9460](/products/power-management/pmics-and-sbcs/pmics/13-channel-power-management-integrated-circuit-pmic-for-ultra-low-power-application:PCA9460): 13-Channel Power Management Integrated Circuit (PMIC) for Ultra Low Power Application [↗](#) [BACK TO TOP](#)

System Features

- Four 1 A high-efficiency buck regulators, two of them with DVS
- Four 250 mA linear regulators
- One 10 mA SNVS LDO
- Four load-switches with active discharge resistor
- Power control IO
- ESD protection
- 7 x 6 bump array, 0.4 mm pitch, WL-CSP, 2.86 mm x 2.46 mm

Connectivity

- I²C connectivity support up to Fm+ 1 MHz

I²C to USB Tool

- TFDI C232HM-DDHSL-0

Supported MPU

- PCA9460A: i.MX 8ULP + LPDDR4 / PCA9460B: i.MX 8ULP + LPDDR4X / PCA9460C: i.MX 8ULP + LPDDR3

Applications

Industrial

Industrial HMI (/applications/industrial/factory-automation/industrial-hmi:INDUSTRIAL-HMI)



Mobile

Hearables (/applications/mobile/wearables/hearables:HEARABLES)

Wristband (/applications/mobile/wearables/wristband:WRISTBAND)

Smart Watch (/applications/mobile/wearables/smart-watch:SMARTWATCH)

Smart City

Transport Ticketing (/applications/smart-city/transportation/transport-ticketing:TRANSPORT-TICKETING)

Smart Home

Home Security and Surveillance (/applications/smart-home/home-control-and-security/home-security-and-surveillance:HOME-SECURITY-SURVEILLANCE)

Robotic Appliance (/applications/smart-home/smart-appliance/robotic-appliance:ROBOTIC-APPLIANCE)

Major Home Appliances (/applications/smart-home/smart-appliance/major-home-appliances:MAJOR-HOME-APPLIANCE)

Small and Medium Appliances (/applications/smart-home/smart-appliance/small-and-medium-appliances:SMALL-MEDIUM-APPLIANCE)