

Traffic Lights / LED Light / LED Traffic Light 890  
**LED Perm. Beacon BWM 115-230VAC YE**



Part No.: 890.320.68



| MECHANICAL DATA              |  |
|------------------------------|--|
| Length                       | 154 mm   |
| Height                       | 168 mm   |
| Diameter                     | 150 mm   |
| Materials                    | PC<br>PC/ABS                                     |
| Dome colour                  | Clear  |
| Housing colour               | Grey   |
| Protection category          | IP65   |
| Connection                   | Spring-type terminal                             |
| cross-sectional area minimum | 0,50mm <sup>2</sup> / 20AWG                      |
| cross-sectional area maximum | 1,50mm <sup>2</sup> / 16AWG                      |
| Cable entry                  | Screwed cable gland                              |
| Cable entry minimum          | d = 5 mm<br>d = 6 mm                             |
| Cable entry maximum          | d = 12 mm<br>d = 7 mm                            |
| Tension relief               | Present (conforms to VDE)                        |
| Type of fixing               | Base mounting<br>Wall mounting                   |
| Working temperature minimum  | -30°C  |
| Working temperature maximum  | +50°C  |
| Weight with packaging        | 548 g  |
| Product weight               | 476 g  |
| ELECTRICAL DATA              |  |
| Operating voltage            | 115-230V   |
| Operating voltage type       | AC   |
| Operating voltage frequency  | 50Hz at 230V<br>60Hz at 115V                     |
| Operating voltage tolerance  | +/- 10%  |
| Rated operational voltage    | 230 VAC  |
| Rated operational current    | 35 mA  |
| Rated inrush current         | 300 mA   |
| Protection class             | Protection class 2                               |
| Pollution degree             | 3  |
| Overvoltage category         | II   |
| Isolation voltage            | U <sub>i</sub> = 250V; U <sub>imp</sub> = 2.500V |
| OPTICAL DATA                 |  |
| Light source                 | LED  |

! For additional installation and mounting information, refer to the appropriate user guide at [www.werma.com](http://www.werma.com). This printed copy is for information only and is subject to alteration.

Traffic Lights / LED Light / LED Traffic Light 890  
**LED Perm. Beacon BWM 115-230VAC YE**

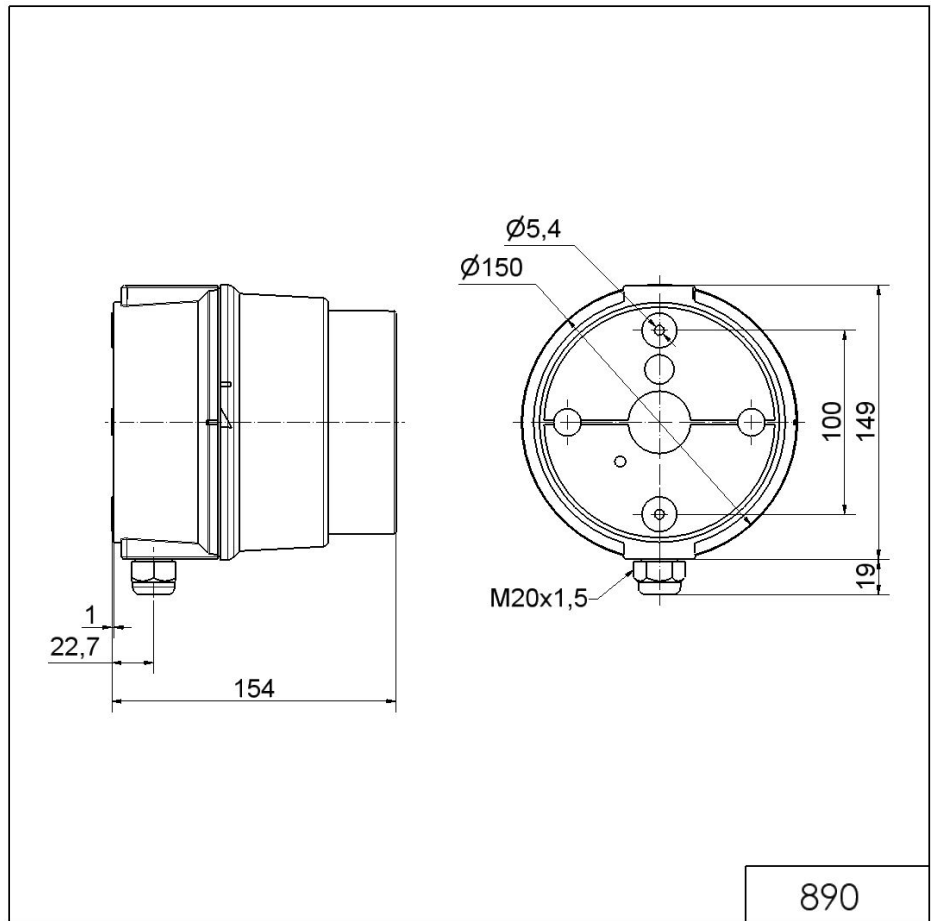
|                      |                  |
|----------------------|------------------|
| Light colour         | Yellow           |
| Optical signal image | Permanent        |
| Service life optical | 50,000 h maximum |

| <b>APPROVAL DATA</b>          |                       |
|-------------------------------|-----------------------|
| Conforms with CE              | Yes                   |
| WEEE                          | Yes                   |
| Conforms with RED directive   | No                    |
| Conforms with ATEX-directive  | No                    |
| Conforms with CCC             | Yes                   |
| Conforms with UL              | No                    |
| Conforms with FCC             | No                    |
| Conforms with IC              | No                    |
| EAC certificate available     | Yes                   |
| Conforms with UKCA (Importer) | Yes (WERMA (UK) Ltd.) |
| Conforms with AS-I            | No                    |
| ICAO Certification            | No                    |
| Conforms with DNV             | No                    |
| Conforms with RoHS CN         | No                    |
| Conforms with VdS             | No                    |

**!** For additional installation and mounting information, refer to the appropriate user guide at [www.werma.com](http://www.werma.com). This printed copy is for information only and is subject to alteration.

Traffic Lights / LED Light / LED Traffic Light 890  
**LED Perm. Beacon BWM 115-230VAC YE**

**DRAWING**



**!** For additional installation and mounting information, refer to the appropriate user guide at [www.werma.com](http://www.werma.com). This printed copy is for information only and is subject to alteration.