

Electronic Buzzers Installation 109 / Accessories

Surface housing 3-fold GY**Part No.:** 975.109.04**MECHANICAL DATA**

| | |
|-----------------------|--------|
| Length | 266 mm |
| Width | 80 mm |
| Height | 60 mm |
| Materials | PC/ABS |
| Housing colour | Grey |
| Protection category | IP65 |
| Weight with packaging | 300 g |
| Product weight | 300 g |

APPROVAL DATA

| | |
|------------------------------|----|
| WEEE | No |
| Conforms with RED directive | No |
| Conforms with ATEX-directive | No |
| Conforms with CCC | No |
| Conforms with UL | No |
| Conforms with FCC | No |
| Conforms with IC | No |
| EAC certificate available | No |
| Conforms with AS-I | No |
| ICAO Certification | No |
| Conforms with DNV | No |
| Conforms with RoHS CN | No |

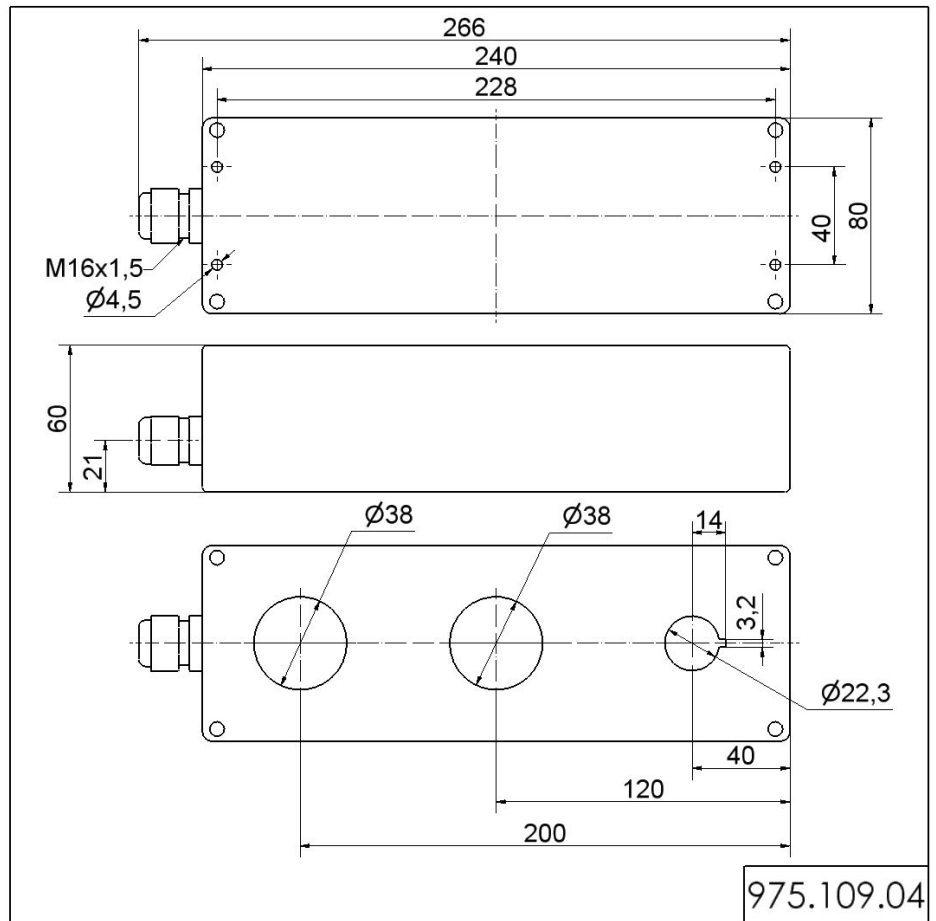


For additional installation and mounting information, refer to the appropriate user guide at www.werma.com. This printed copy is for information only and is subject to alteration.

Electronic Buzzers Installation 109 / Accessories

Surface housing 3-fold GY

DRAWING



! For additional installation and mounting information, refer to the appropriate user guide at www.werma.com. This printed copy is for information only and is subject to alteration.