

Click to
ORDER
samples

AM50E-VZ



This new AM50E-VZ series is a 50W DC/DC converter that provides a 2:1 input voltage range. The input/output isolation voltage up to 1500VDC ensures it meets the standard DC operating environment and EN62368 standard requirements.

The converters offer an ultra-wide operating temperature range of -40°C to +105°C. A variety of protections with input UVP, OSC, OCP, OVP are included. Housed in a 2x1" common industrial standard package, this AM50E-VZ series is available with an optional heat sink with the standard PCB mount, chassis mount and DIN rail mount, offering flexibility to the designer of the end-product.


This series is designed for applications in industrial instrumentation, telecom, lighting equipment, information display and other industrial related equipment.

Features


- Operating Temp: -40 °C to +105 °C
- Isolation voltage: 1500VDC
- High efficiency: 91% typ.
- Regulated single output
- Output short circuit, over-current, over-voltage, input under-voltage protection



Training



Product Training Video
(click to open)

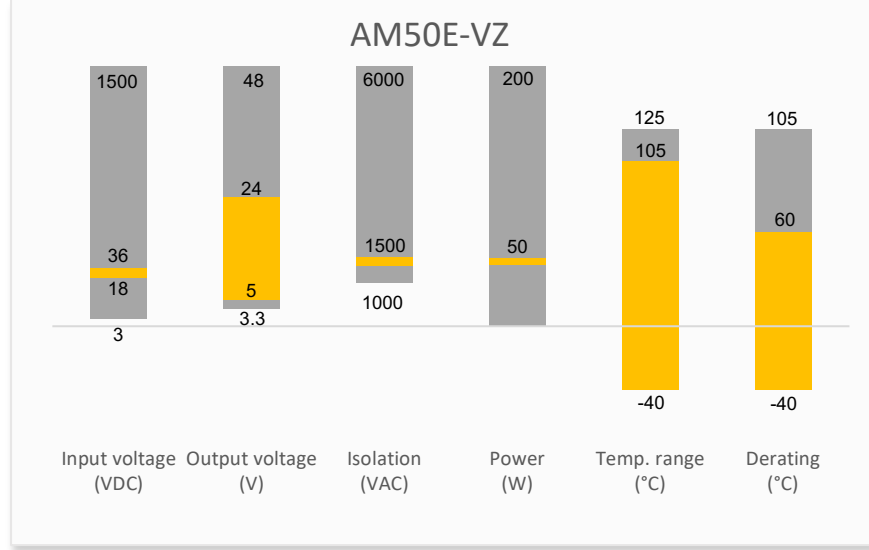


Press Release

Coming Soon!

Application Notes

Summary



Applications



Models & Specifications

Single Output

Model	Input Voltage (VDC)	Output Voltage (VDC)	Input Current (mA)		Output Current (mA)		Maximum Capacitive Load (μF)	Efficiency (%) Full Load Typ.
			No Load typ.	Full Load Max.	Max	Min		
AM50E-2403SVZ	24 (18-36)	3.3	2	1580	10000	500	27000	90
AM50E-2405SVZ	24 (18-36)	5	3	2367	10000	500	18900	90
AM50E-2412SVZ	24 (18-36)	12	5	2341	4167	208	3700	91
AM50E-2415SVZ	24 (18-36)	15	11	2341	3333	167	2000	91
AM50E-2424SVZ	24 (18-36)	24	4	2341	2083	104	1000	91

Add suffix "-ST" for optional screw terminal bottom plate and input reverse polarity protection.

Add suffix "-STD" for optional DIN Rail screw terminal bottom plate and input reverse polarity protection.

Add suffix "-K" for optional heat sink.

Due to the input reverse polarity protection, models with "-ST" and "-STD" option will have their minimum input and start-up voltage increased by 1VDC and efficiency decreased by 2%.

Input Specification

Parameters	Conditions	Typical	Maximum	Units
Input voltage	Nominal 24V	18 - 36	40	VDC
Absolute maximum rating	1s max.	≥-0.7	50	VDC
Start-up voltage			18	VDC
Shut down voltage		13		VDC
Start-up time	Nominal input, Constant resistance load	10	120	ms
On/Off control	On	Control pin open or 3.5-12VDC		
	Off	Control pin short to -Vin or 0-1.2VDC		
	Idle current	6	12	mA
Input filter	Pi filter			

Isolation Specification

Parameters	Conditions	Typical	Maximum	Units
Tested isolation voltage	Input / output 60 sec, ≤ 1mA	≥1500		VDC
	Input, output / case 60 sec, ≤ 1mA	≥1000		VDC
Resistance	500VDC	≥100		MΩ
Capacitance	100KHz / 0.1V	2200		pF

Output Specification

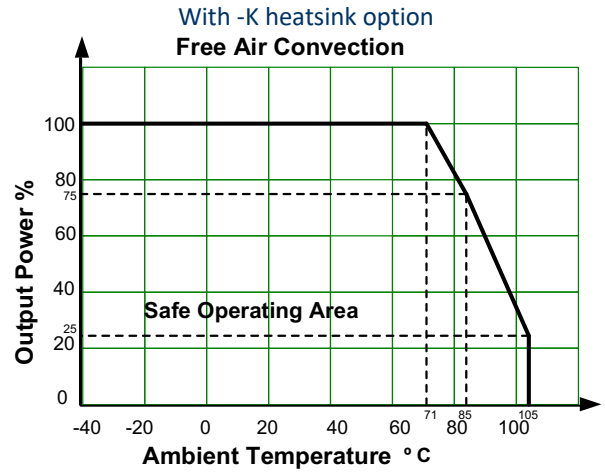
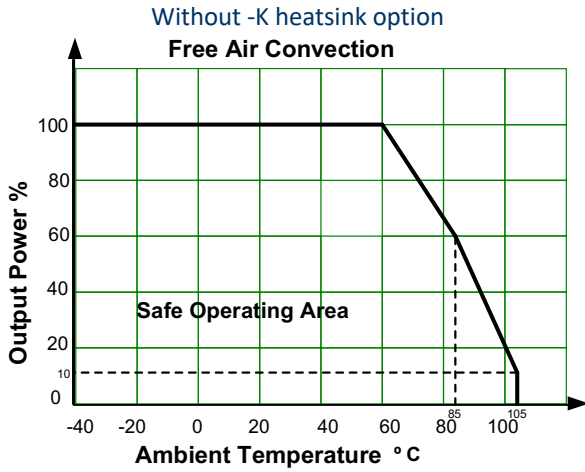
Parameters	Conditions	Typical	Maximum	Units
Voltage accuracy	5% -100% load	±1	±3	%
Line regulation	LL – HL 100% load	±0.2	±0.5	%
Load regulation	5% - 100% load	±0.5	±1	%
Short circuit protection	Continues, Auto recovery			
Over current protection		140	200	% Io
Over voltage protection		140	160	% Vo
Transient Recovery Time	Nominal input, 25% load step change	250	500	μs
Transient Response Deviation	Nominal input, 25% load step change, 3.3/5V output	±3	±8	%
	Nominal input, 25% load step change, others	±3	±5	%

Ripple & Noise	20MHz bandwidth, 5% -100% load, 3.3/5V output	120	200	mV pk-pk
	20MHz bandwidth, 5% -100% load, 12/15V output	180	250	mV pk-pk
	20MHz bandwidth, 5% -100% load, 24V output	240	300	mV pk-pk
Trim			±10	%

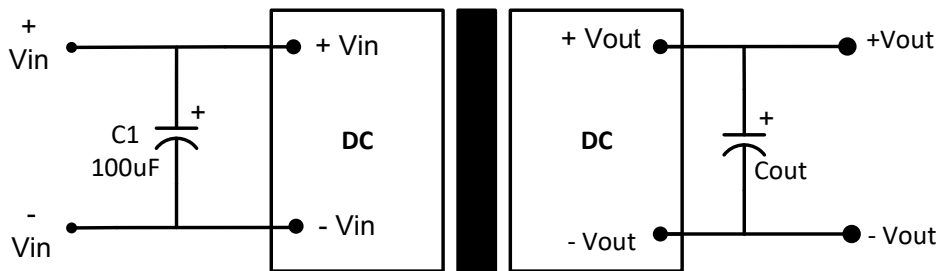
General Specifications				
Parameters	Conditions	Typical	Maximum	Units
Switching frequency*		300		KHz
Operating temperature	With derating	-40 to +105		°C
Storage temperature		-55 to +125		°C
Soldering temperature	1.5mm distance ≤ 10s		300	°C
Temperature coefficient	100% Load		± 0.03	%/°C
Cooling	Free air convection			
Humidity	Non-condensing		95	% RH
Weight	Pin mountable	39		g
	With optional -ST mounting plate	62		g
	With optional -STD mounting plate	82		g
	With optional -K Pin mountable	47		g
	With optional -ST-K mounting plate	70		g
	With optional -STD-K mounting plate	90		g
Dimensions (L x W x H)	Pin mountable	2.00 x 1.00 x 0.46inches (50.80 x 25.40 x 11.80mm)		
	With optional -ST mounting plate	2.99 x 1.24 x 0.83inches (76.00 x 31.50 x 21.20mm)		
	With optional -STD mounting plate	2.99 x 1.24 x 1.02inches (76.00 x 31.50 x 25.80mm)		
	With optional -K Pin mountable	2.02 x 1.03 x 0.65inches (51.40 x 26.20 x 16.50mm)		
	With optional -ST-K mounting plate	2.99 x 1.24 x 1.00inches (76.00 x 31.50 x 25.30mm)		
	With optional -STD-K mounting plate	2.99 x 1.24 x 1.18inches (76.00 x 31.50 x 29.90mm)		
Case material	Aluminum Alloy			
Vibration	10 – 150Hz, 5G, 0.75mm, along all axels			
MTBF	> 1 000 000 hrs (MIL-HDBK -217F, t=+25°C)			
*Switching frequency reduces when load under 50%.				
NOTE: All specifications in this datasheet are measured at an ambient temperature of 25°C, humidity<75%, nominal input voltage and at rated output load unless otherwise specified.				

Safety Specifications		
Parameters		
Standards	Design to meet IEC/EN/UL62368	
	EMI - Conducted and radiated emission	CISPR32/EN55032 Class B with the recommended EMC circuit part B
	Electrostatic Discharge Immunity	IEC/EN 61000-4-2, Contact ±4KV, Criteria B
	RF, Electromagnetic Field Immunity	IEC/EN 61000-4-3, 10V/m, Criteria A
	Electrical Fast Transient/Burst Immunity	IEC/EN 61000-4-4, ±2KV, Criteria B with the recommended EMC circuit part A
	Surge Immunity	IEC/EN 61000-4-5, L-L ±2KV, Criteria B with the recommended EMC circuit part A
	RF, Conducted Disturbance Immunity	IEC/EN 61000-4-6, 10Vr.m.s, Criteria A

Derating

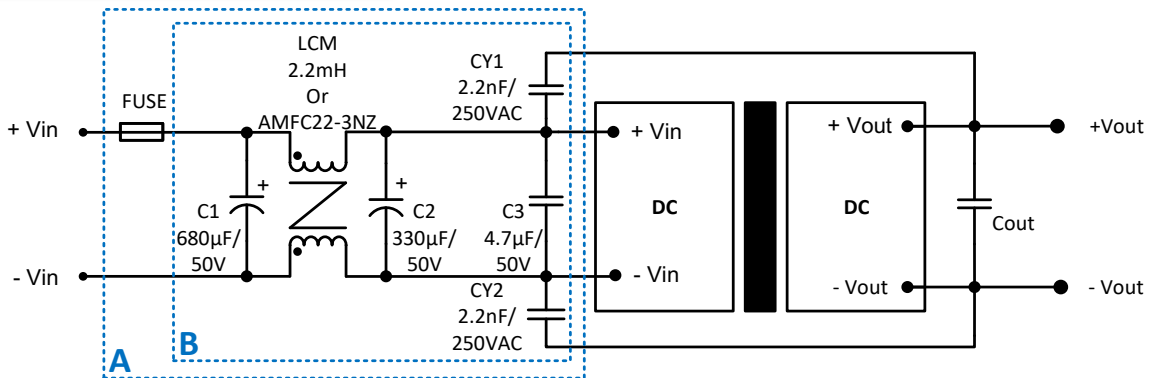


Typical application circuit



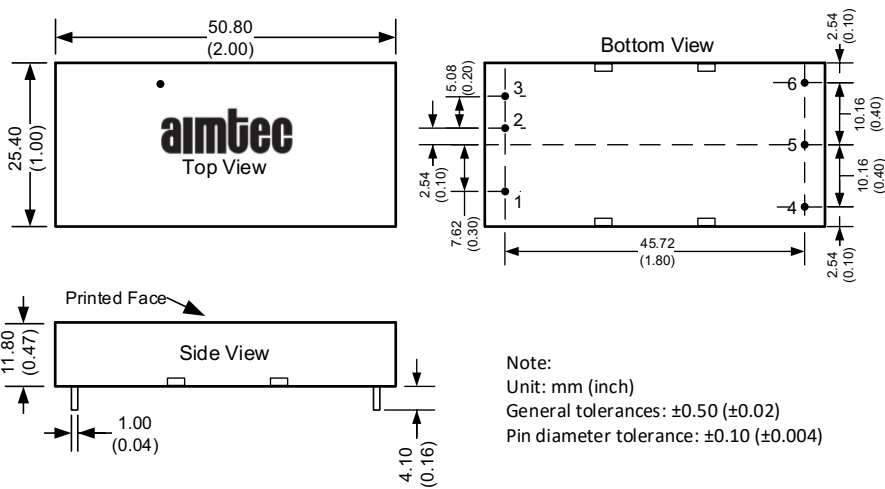
Vout	Cout
3.3/5	470μF
12/15	100μF
24	47μF

Recommended EMC circuit



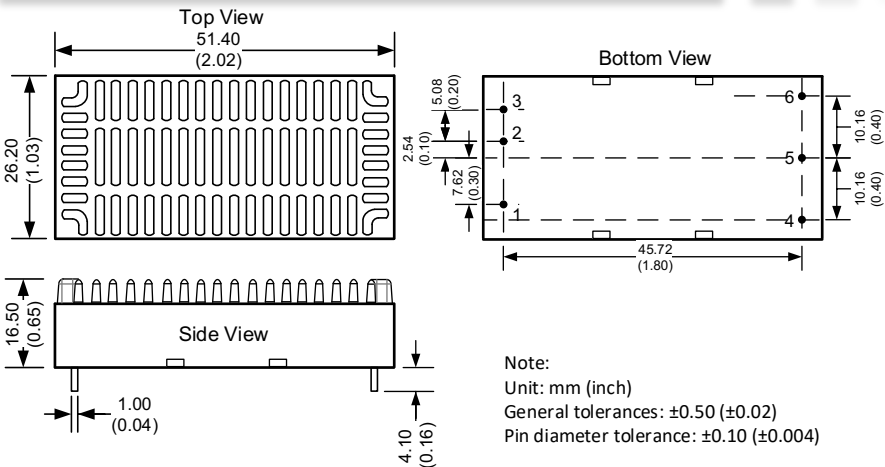
Note: Part A for EMS, part B for EMI.

Dimension

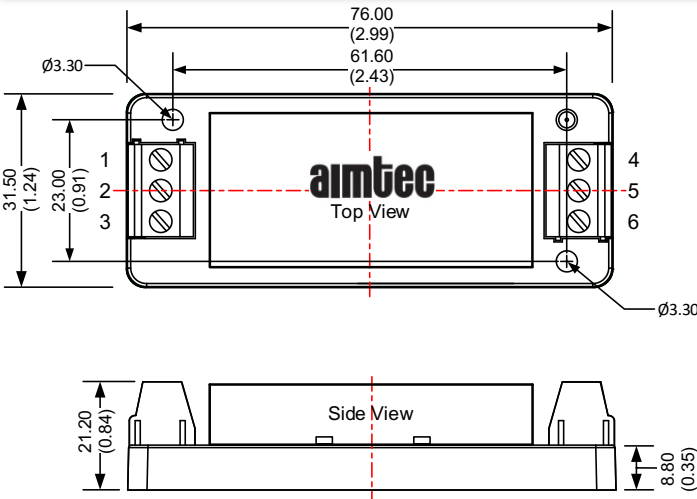


Pin Out Specifications	
Pin	Single
1	On/Off Control
2	-Vin
3	+Vin
4	Trim
5	-Vout
6	+Vout

Dimension for models with -K option

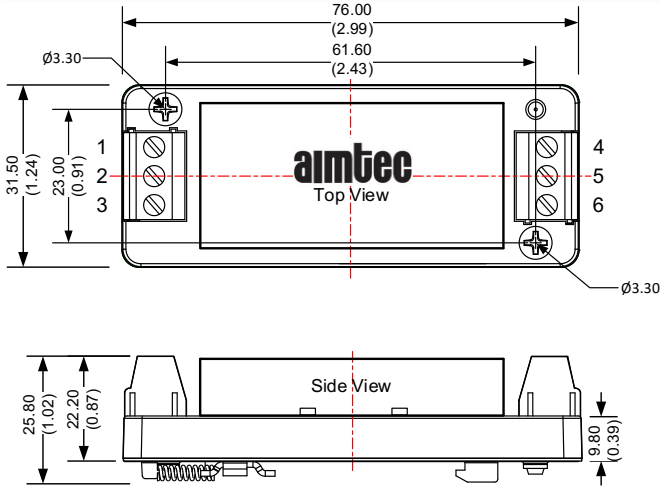


Dimension for models with -ST option



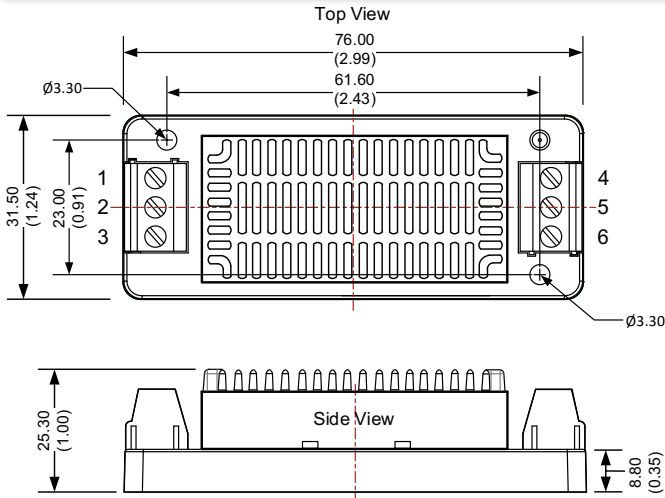
Pin Out Specifications	
Pin	Single
1	On/Off Control
2	-Vin
3	+Vin
4	Trim
5	-Vout
6	+Vout

Dimension for models with -STD option



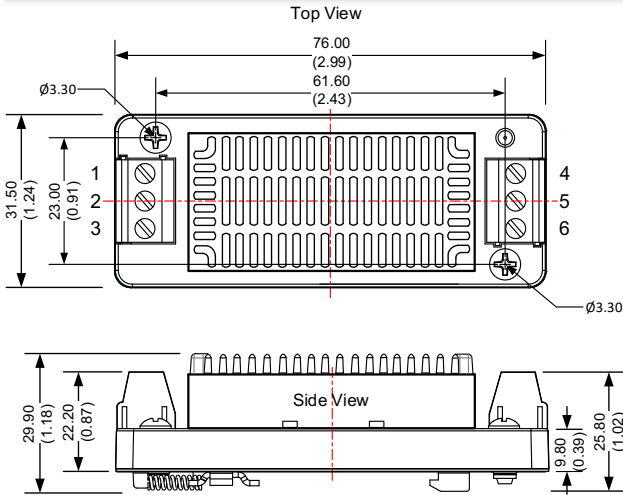
Note:
Unit: mm (inch)
Wire gauge: 24-12 AWG
Mounting rail: TS35
Tightening torque: 0.4 N·m max.
General tolerances: ±1.00 (±0.04)

Dimension for models with -K-ST option



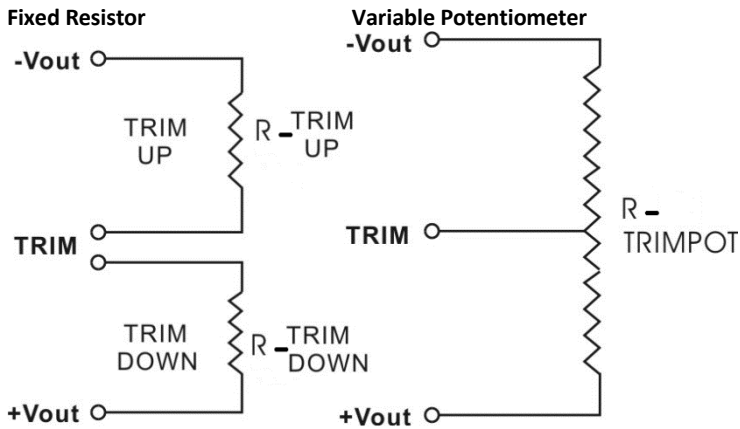
Note:
Unit: mm (inch)
Wire gauge: 24-12 AWG
Tightening torque: 0.4 N·m max.
General tolerances: ±1.00 (±0.04)

Dimension for models with -K-STD option



Note:
Unit: mm (inch)
Wire gauge: 24-12 AWG
Mounting rail: TS35
Tightening torque: 0.4 N·m max.
General tolerances: ±1.00 (±0.04)

Trim



Vout = 3.3V

Trim down %	1	2	3	4	5	6	7	8	9	10
Vout (VDC)	3.267	3.234	3.201	3.168	3.135	3.102	3.069	3.036	3.003	2.97
Rt down (KΩ)	158.939	99.05	70.574	53.931	43.014	35.301	29.563	25.127	21.596	18.717
Trim up %	1	2	3	4	5	6	7	8	9	10
Vout (VDC)	3.333	3.366	3.399	3.432	3.465	3.498	3.531	3.564	3.597	3.63
Rt up (KΩ)	965.882	148.2	78.287	52.247	38.646	30.29	24.634	20.553	17.468	15.055

Vout = 5V

Trim down %	1	2	3	4	5	6	7	8	9	10
Vout (VDC)	4.95	4.9	4.85	4.8	4.75	4.7	4.65	4.6	4.55	4.5
Rt down (KΩ)	48.371	33.396	24.736	19.092	15.123	12.179	9.909	8.104	6.636	5.417
Trim up %	1	2	3	4	5	6	7	8	9	10
Vout (VDC)	5.05	5.1	5.15	5.2	5.25	5.3	5.35	5.4	5.45	5.5
Rt up (KΩ)	-204.792	571.239	113.36	61.071	40.882	30.177	23.544	19.03	15.761	13.283

Vout = 12V

Trim down %	1	2	3	4	5	6	7	8	9	10
Vout (VDC)	11.88	11.76	11.64	11.52	11.4	11.28	11.16	11.04	10.92	10.8
Rt down (KΩ)	875.815	414.921	265.816	192.084	148.104	118.891	98.077	82.495	70.393	60.721
Trim up %	1	2	3	4	5	6	7	8	9	10
Vout (VDC)	12.12	12.24	12.36	12.48	12.6	12.72	12.84	12.96	13.08	13.2
Rt up (KΩ)	202.606	96.122	59.611	41.159	30.024	22.574	17.24	13.232	10.11	7.61

Vout = 15V

Trim down %	1	2	3	4	5	6	7	8	9	10
Vout (VDC)	14.85	14.7	14.55	14.4	14.25	14.1	13.95	13.8	13.65	13.5
Rt down (KΩ)	1166.483	568.567	369.261	269.608	209.817	169.956	141.483	120.129	103.52	90.233
Trim up %	1	2	3	4	5	6	7	8	9	10
Vout (VDC)	15.15	15.3	15.45	15.6	15.75	15.9	16.05	16.2	16.35	16.5
Rt up (KΩ)	224.167	104.583	64.722	44.792	32.833	24.861	19.167	14.896	11.574	8.917

Vout = 24V

Trim down %	1	2	3	4	5	6	7	8	9	10
Vout (VDC)	23.76	23.52	23.28	23.04	22.8	22.56	22.32	22.08	21.84	21.6
Rt down (KΩ)	1657.941	930.247	641.002	485.686	388.766	322.52	274.375	237.805	209.082	185.927
Trim up %	1	2	3	4	5	6	7	8	9	10
Vout (VDC)	24.24	24.48	24.72	24.96	25.2	25.44	25.68	25.92	26.16	26.4
Rt up (KΩ)	374.006	148.429	91.155	65.003	50.026	40.321	33.522	28.494	24.624	21.553

NOTE: **1.** Datasheets are updated as needed and as such, specifications are subject to change without notice. Once printed or downloaded, datasheets are no longer controlled by Aimtec; refer to www.aimtec.com for the most current product specifications. **2.** Product labels shown, including safety agency certifications on labels, may vary based on the date manufactured. **3.** Mechanical drawings and specifications are for reference only. **4.** All specifications are measured at an ambient temperature of 25°C, humidity<75%, nominal input voltage and at rated output load unless otherwise specified. **5.** Aimtec may not have conducted destructive testing or chemical analysis on all internal components and chemicals at the time of publishing this document. CAS numbers and other limited information are considered proprietary and may not be available for release. **6.** This product is not designed for use in critical life support systems, equipment used in hazardous environments, nuclear control systems or other such applications which necessitate specific safety and regulatory standards other the ones listed in this datasheet. **7.** Warranty is in accordance with Aimtec's standard Terms of Sale available at www.aimtec.com.