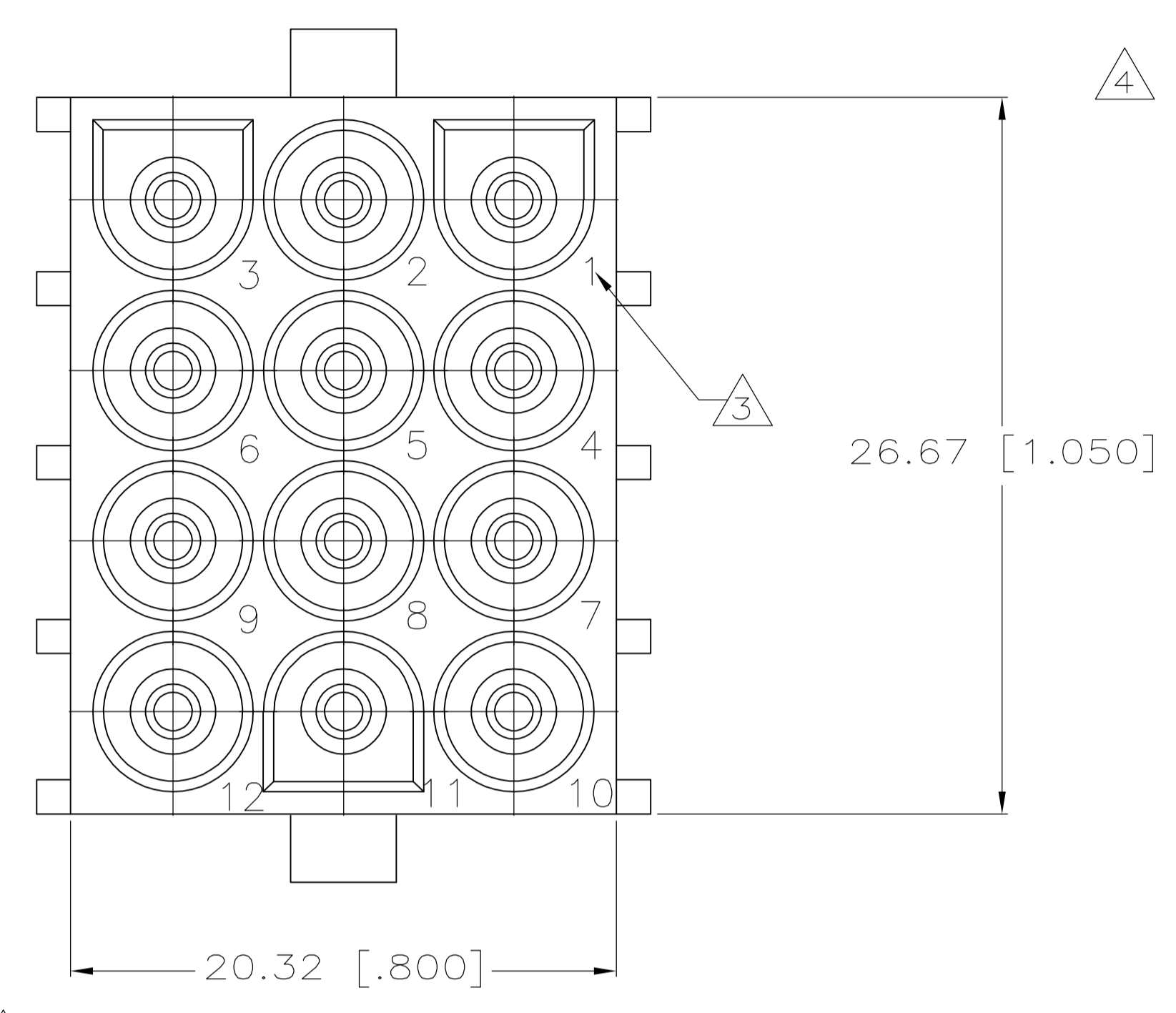
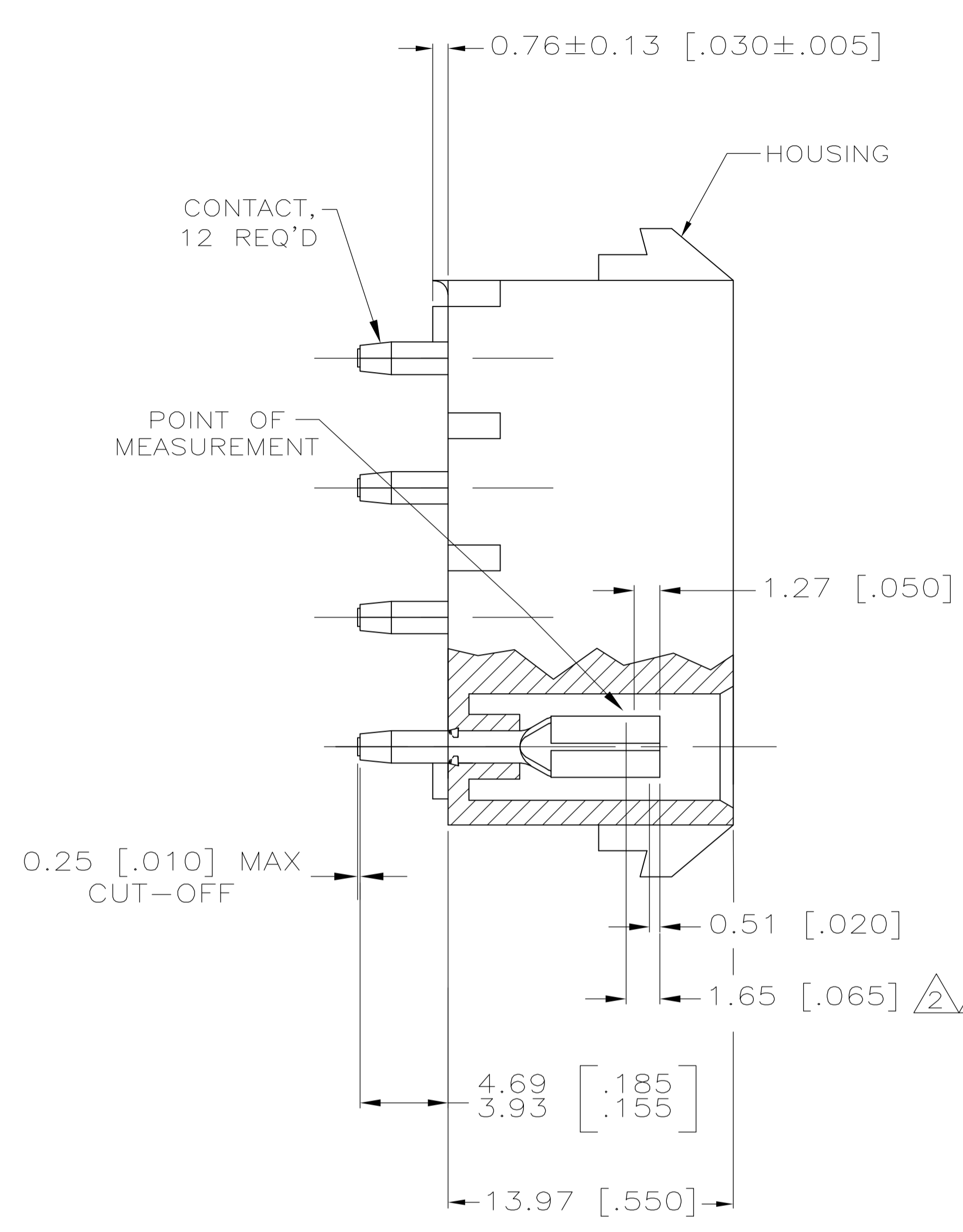
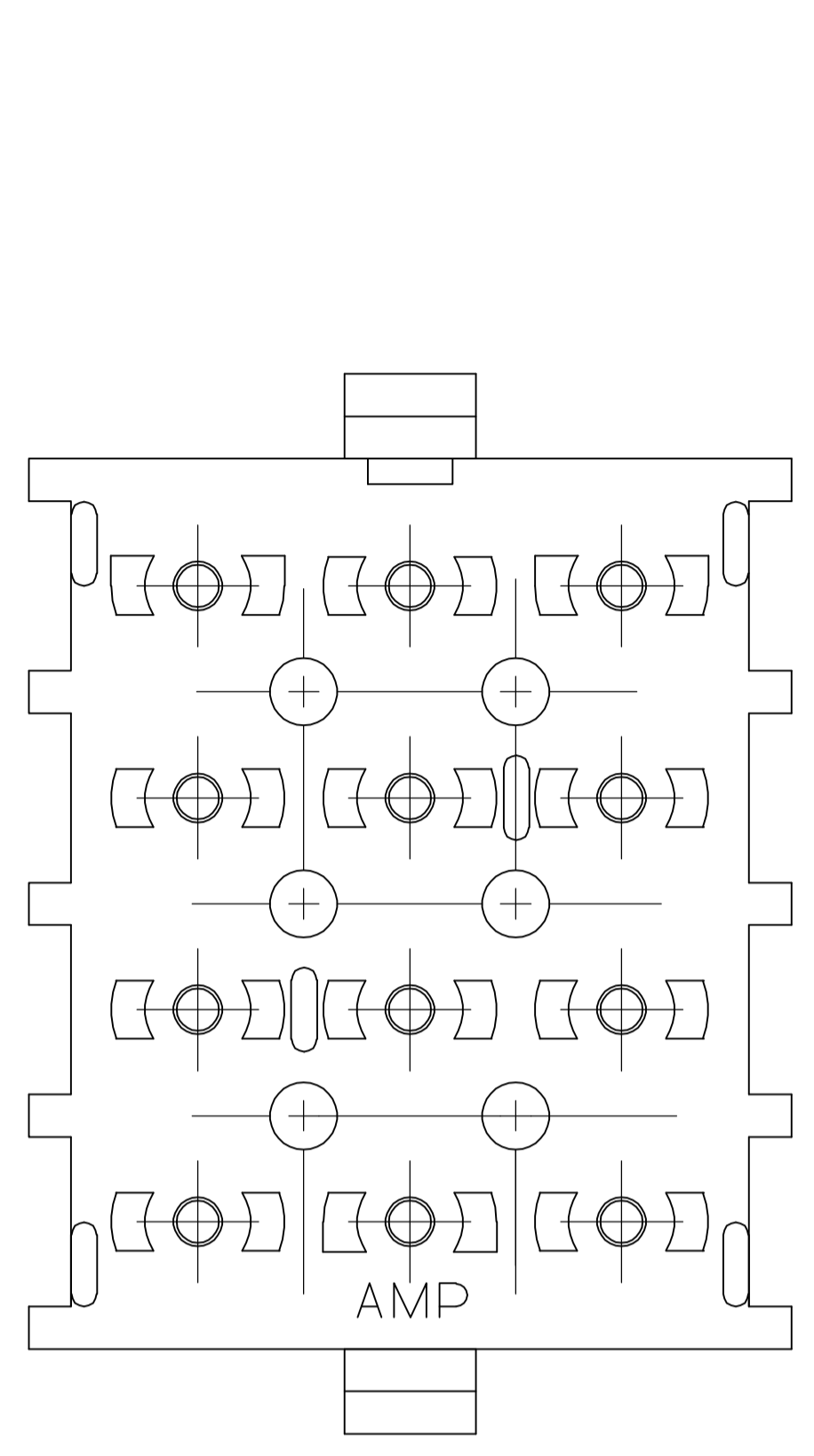
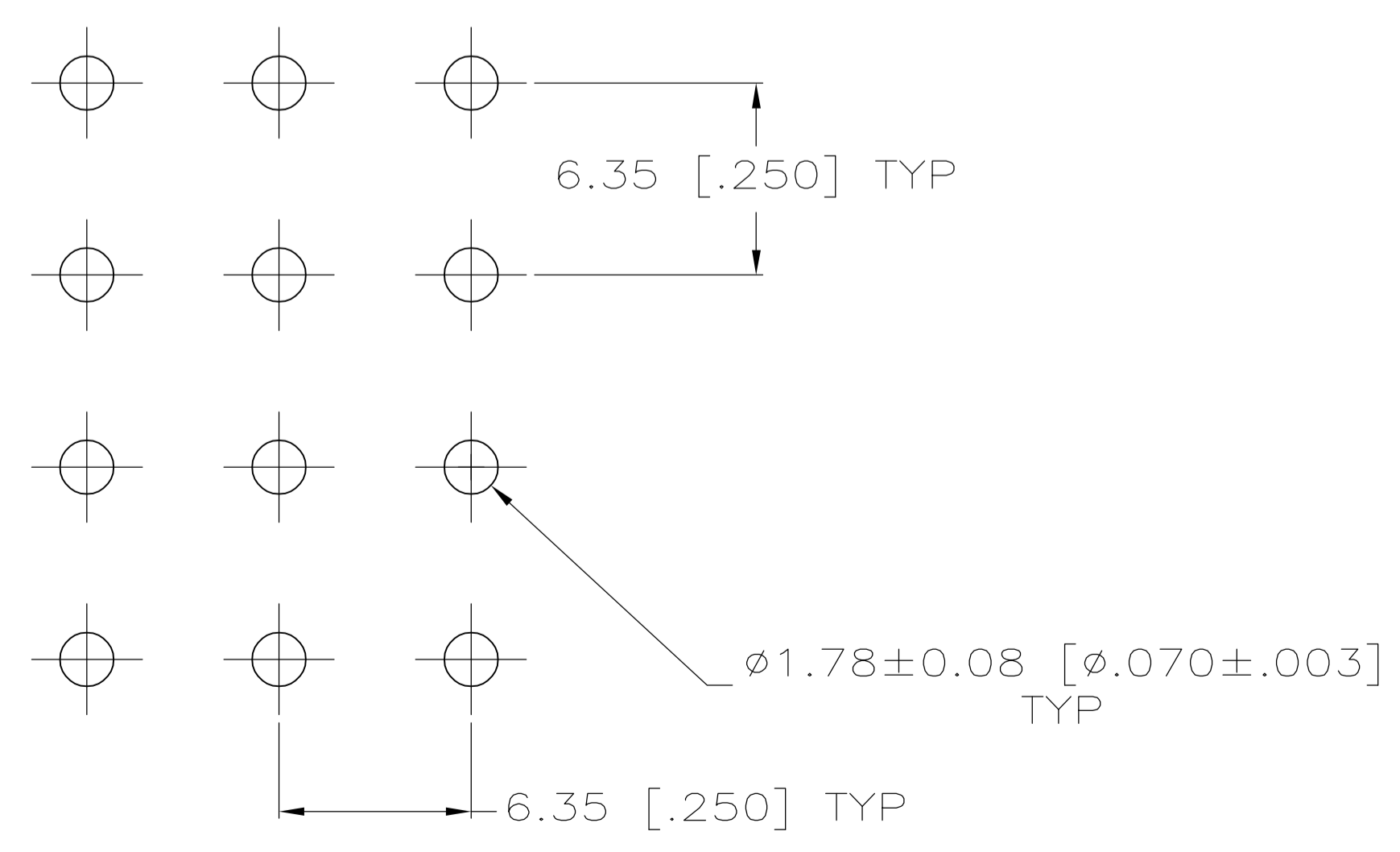


LOC		DIST		REVISIONS			
P	LTR	DESCRIPTION	DATE	OWN	APVD		
M		REVISED PER DG38-1100-04	12OCT05	KW	SR		



1. PARTS MUST COMPLY WITH AMP SOLDERABILITY SPEC 109-11-3.
2. CONTACT IS STAMPED FROM PRE-PLATED STOCK WHICH IS PLATED OVERALL WITH 0.00127 [.000050] NICKEL, THEN STRIPED WITH 0.00076 [.000030] GOLD IN CONTACT AREA INDICATED AND TIN-LEAD ON SOLDER TAIL END.
3. CIRCUIT IDENTIFICATION CHARACTERS ARE ADJACENT TO THE INDICATED CAVITIES, BUT LOCATION AND ORIENTATION MAY DIFFER FROM PRINT.
4. CONTACT IS PLATED OVERALL WITH 0.00127 [.000050] NICKEL, THEN 0.00076 [.000030] GOLD OVER CONTACT LENGTH INDICATED AND MATTE TIN ON SOLDER TAIL END.



RECOMMENDED LAYOUT FOR 1.58 [.062] THICK PC BOARD

PH BRZ GOLD $\Delta 4$	NYLON,UL 94V-0	350829-4
PH BRZ GOLD $\Delta 2$	NYLON,UL 94V-0	350829-2
PH BRZ TIN	NYLON,UL 94V-0	350829-1
CONTACT	HOUSING	PART NO

THIS DRAWING IS A CONTROLLED DOCUMENT.		OWN K. WHITAKER 11OCT2005	 Tyco Electronics Corporation Harrisburg, PA 17105-3608
DIMENSIONS: mm (INCHES)		CHK S. RIDGILL 11OCT2005	
TOLERANCES UNLESS OTHERWISE SPECIFIED:		APVD S. RIDGILL 11OCT2005	NAME 12 CIRCUIT UNIVERSAL MATE-N-LOK (TM) P.C. BOARD SOCKET HEADER ASSEMBLY
0 PLC ±	1 PLC ±	2 PLC ±	APPLICATION SPEC
3 PLC ± 0.13 [.005]	4 PLC ±		SIZE A1
ANGLES ±	FINISH ±		WEIGHT 00779
MATERIAL SEE TABLE	SEE TABLE		CUSTOMER DRAWING
		SCALE 5:1	SHEET 1 OF 1
			REV M

METRIC