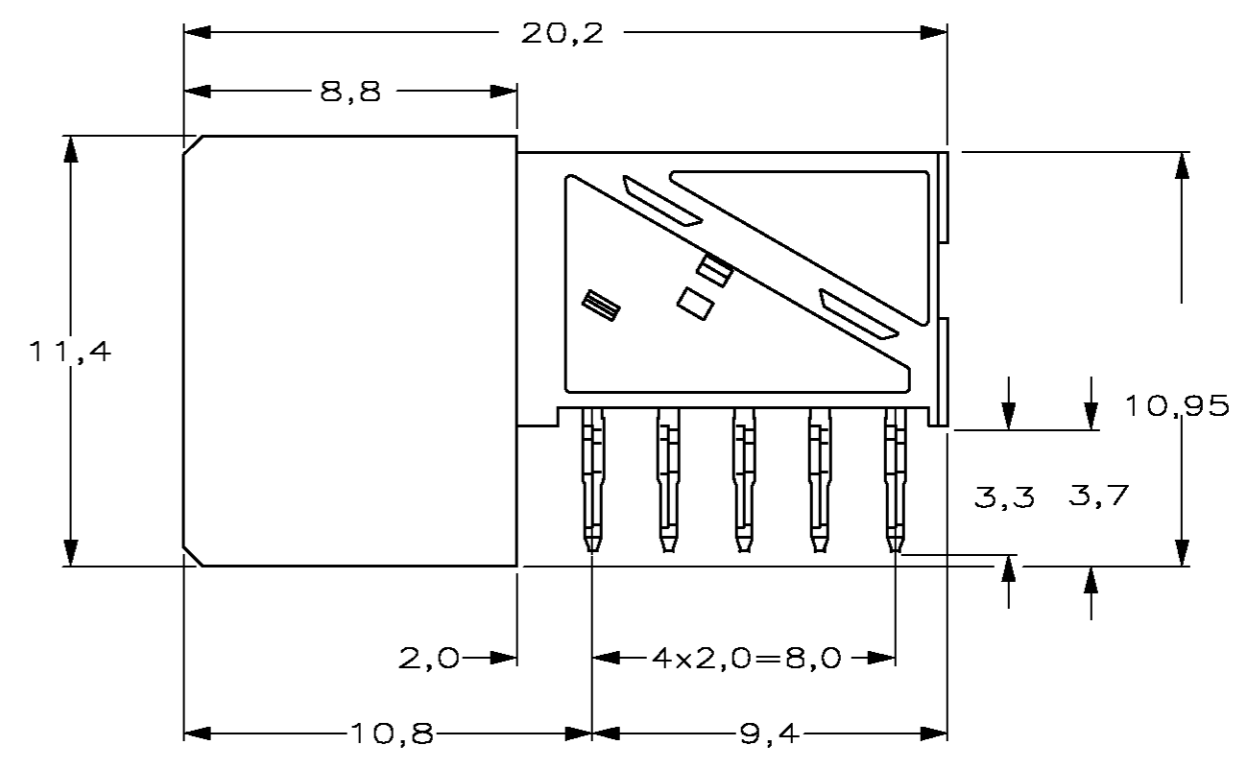
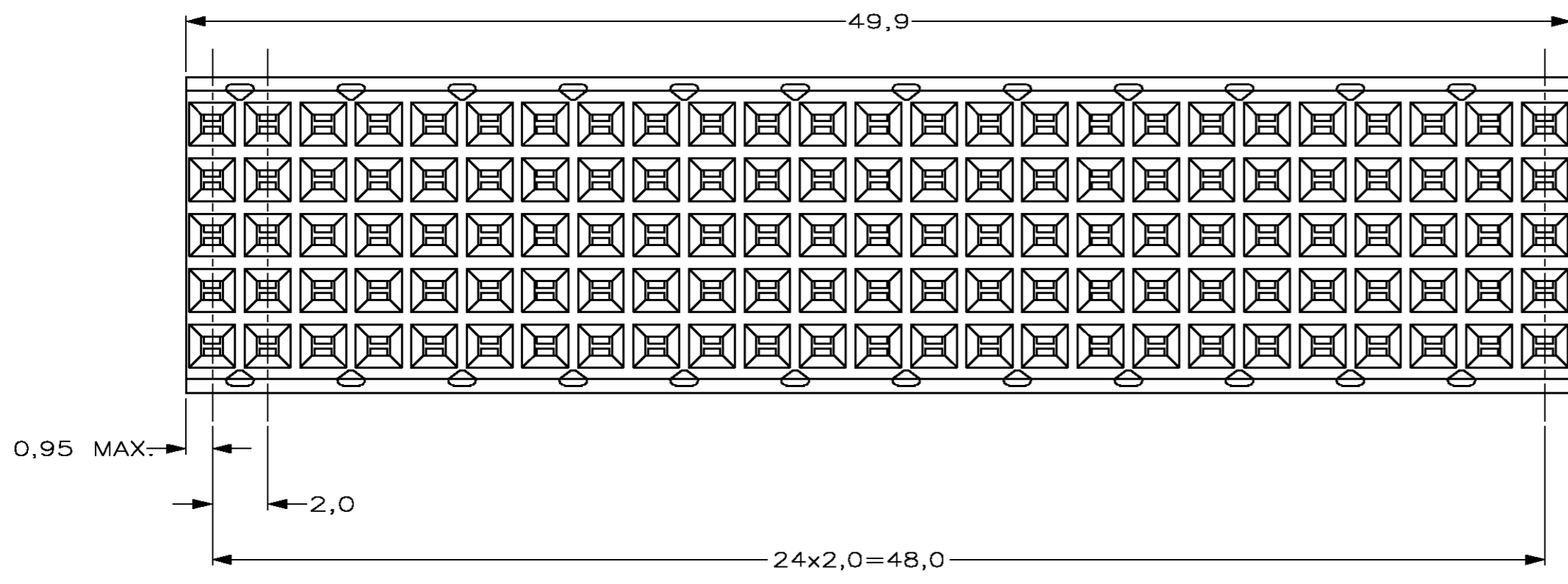
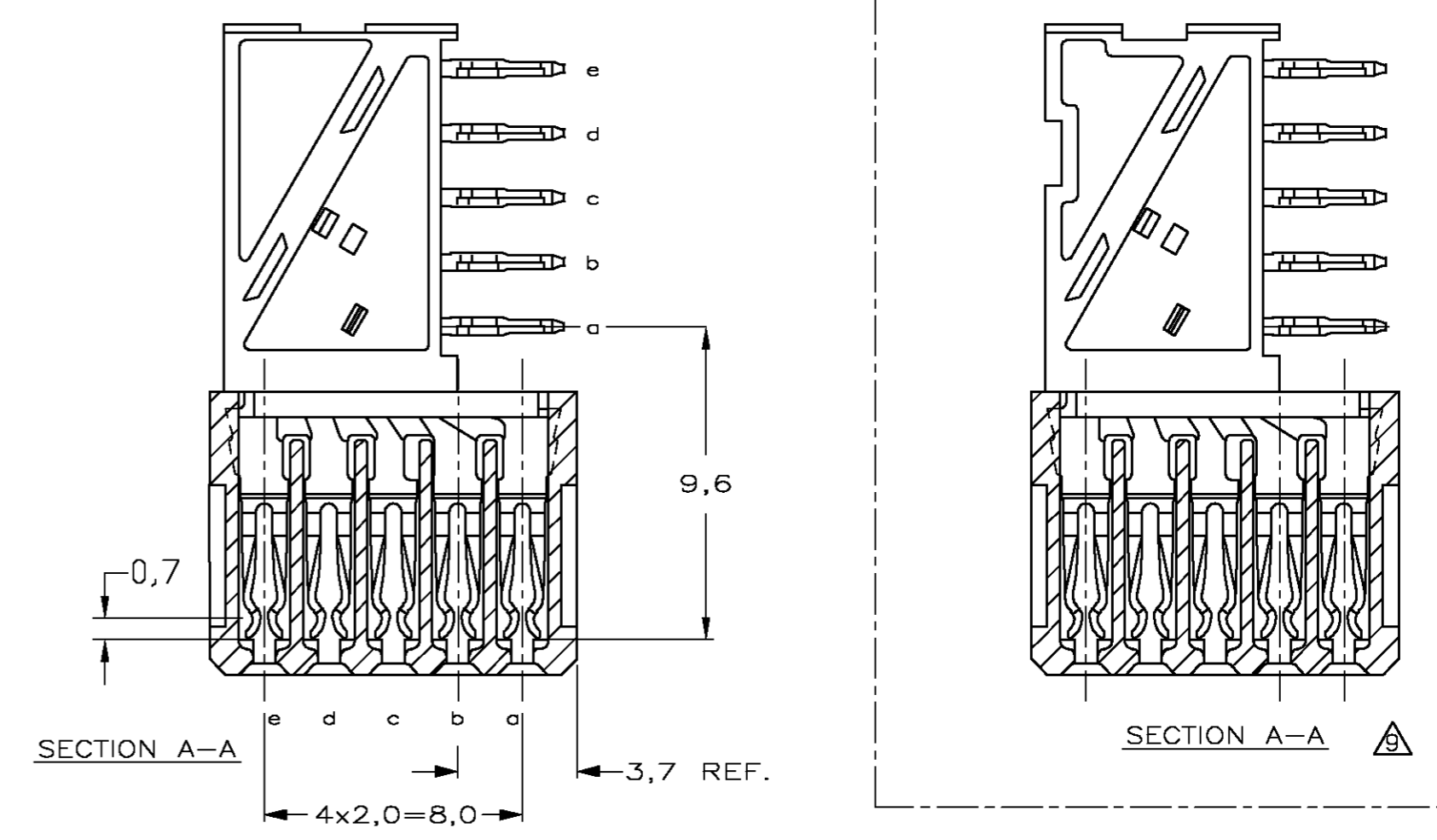
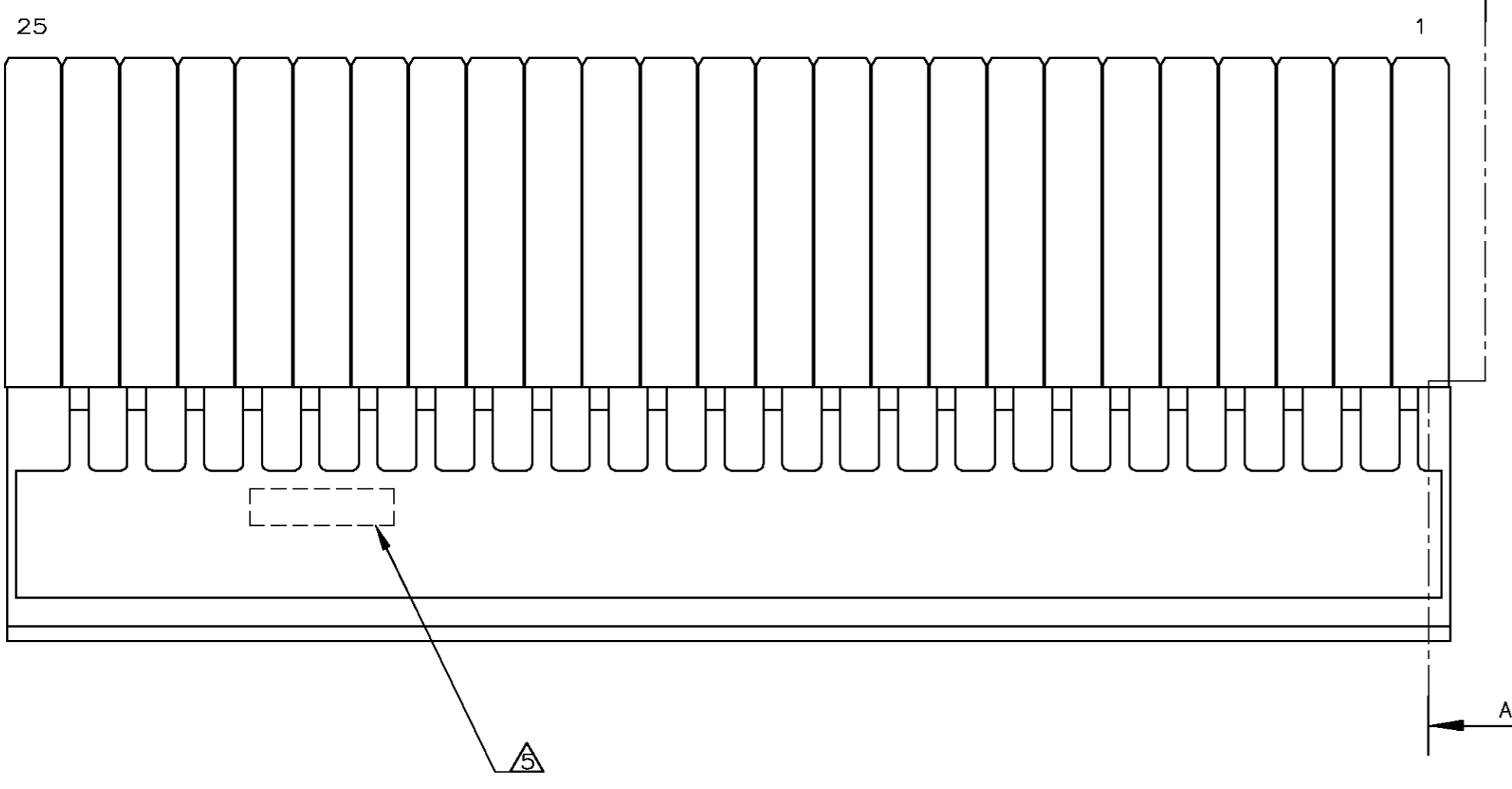


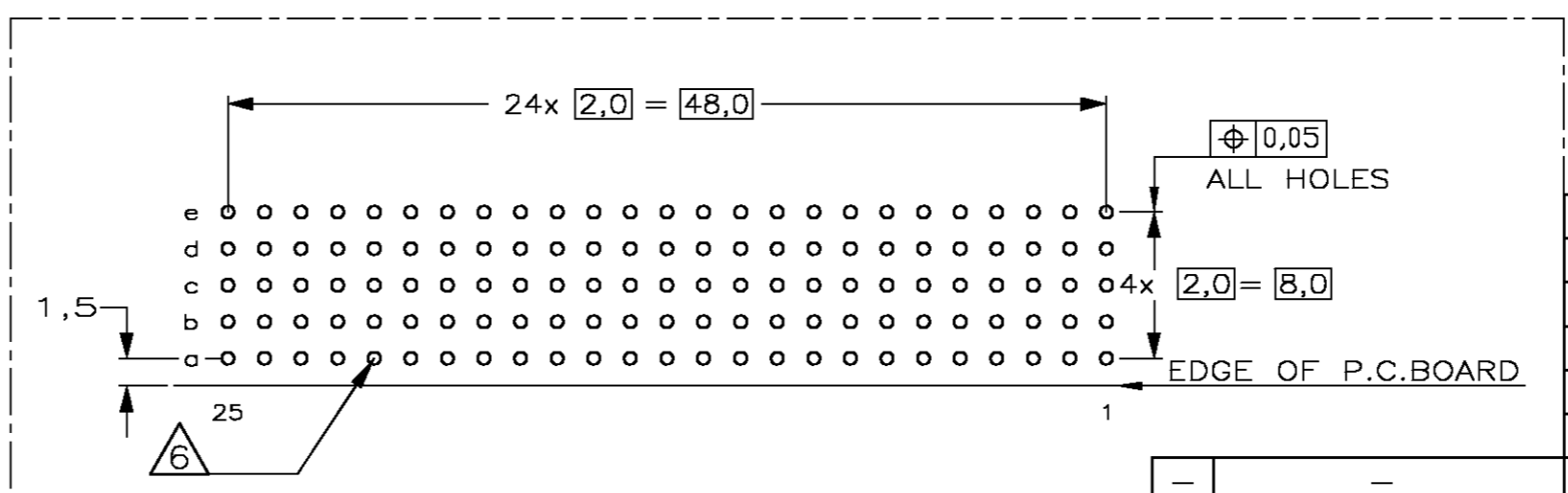
DO NOT SCALE
DIMENSIONS IN mm

METRIC

THIRD ANGLE
PROJECTION



- NOTES:**
- ⚠ PLATING CONTACT AREA: 0,76µm Au MIN. OVER 1,27µm Ni MIN. ACTION PIN, 0,5µm Sn MIN. OVER 1,27µm Ni MIN.
 - ⚠ PLATING CONTACT AREA: 2,0µm Au MIN. OVER 1,27µm Ni MIN. ACTION PIN, 0,5µm Sn MIN. OVER 1,27µm Ni MIN.
 - ⚠ PLATING CONTACT AREA: 1,27µm Au MIN. OVER 1,27µm Ni MIN. ACTION PIN, 0,5µm Sn MIN. OVER 1,27µm Ni MIN.
 - ⚠ MATERIAL CONTACT; PHOSPHORBRONZE
 - ⚠ MATERIAL HOUSING; GLASSFILLED POLYESTER (GRAY) UL-RATING 94V0.
 - ⚠ CONNECTOR PRINTED WITH PARTNUMBER AND DATECODE THE MARKING CAN APPEAR ON THE FRONT SIDE OR ON THE BACK SIDE.
 - ⚠ PLATED-THROUGH HOLES AT 2x2mm SQUARE GRID. 125 HOLES
 - ⚠ CONNECTOR LUBRICATED WITH BELLCORE APPROVED LUBRICANT. TECHNICAL REFERENCE: TR-NWT-001217 ISSUE 1, SEPT. 1992.
 - ⚠ CONNECTOR TESTED AND QUALIFIED AGAINST BELLCORE QUALITY LEVEL III, CENTRAL OFFICE APPLICATIONS.
 - 8 FITS WITH INTEGRATED GROUND RETURN UPSHIELD, BASIC P.N. 338109 AND INTEGRATED GROUND RETURN LOWERSHIELD, BASIC P.N. 338110
 - ⚠ CONNECTOR ASSEMBLED WITH REDESIGNED CONTACTS. CONTACTS HAVE A CORING-OUT IN THE PLASTIC.



SCALE 2,5:1
COMPONENT SIDE AS SHOWN
RECOMMENDED PCB-HOLE LAY-OUT

P.C.B. HOLE DIM. ACTION PIN
FIN. HOLE : 0,55 TO 0,65mm
OTHER REQUIREMENTS SEE
APPLICATION SPECIFICATION
114-19029

PRODUCT SPEC
108-19082
APPLICATION SPEC
114-19029

⚠	⚠	1-100145-9	⚠
⚠	⚠	100145-9	⚠
⚠	⚠	100145-4	⚠
⚠	⚠	100145-3	⚠
⚠	⚠	100145-1	⚠
FINISH		MATERIAL	PARTNUMBER

CUSTOMER DRAWING				FOR REFERENCE ONLY WILL NOT BE UPDATED	
© COPYRIGHT 1996 BY AMP-HOLLAND B.V. ALL INTERNATIONAL RIGHTS RESERVED. AMP PRODUCTS MAY BE COVERED BY U.S. AND FOREIGN AND/OR PATENTS PENDING. THIS DRAWING IS UNPUBLISHED RELEASED FOR PUBLICATION					
K	SR10-0117-03	DP	DP	23-MAY-03	Tyco Electronics Corp. Oostkamp, Belgium.
J	SR10-0090-01	DKB	DP	13-MAR-01	
H	EH-0436-97	LvdH	WvdH	6 MAY'97	
G	EH-0816-96	DT	WvdH	20-01-97	
LTR. REVISION RECORD		DR.	CHK.	DATE	NAME
DR.: D. TRUREN		CHK.: W vd HEUDEN	APP.: B. MOOIJ	DWG.No.	Z-PACK 2mm HM TYPE B
DATE: 20-01-97		DATE: 20-01-97	DATE: -	C-100145	125 POS. FEMALE CONNECTOR
		REV.LTR.	SHEET		
		K	1 of 1	A2	