

PRO-SIGNAL



4K 60Hz 4 PORT HDMI EXTENDER SPLITTER 30M PSG3426

The terms HDMI, HDMI High-Definition Multimedia Interface, and the HDMI Logo are trademarks or registered trademarks of HDMI Licensing Administrator, Inc.

Please read these instructions carefully before use and retain for future reference.

IMPORTANT SAFETY INFORMATION

When using electrical appliances basic safety precautions should always be followed.

- To prevent fire or shock hazard, do not expose this product to rain or moisture.
- Check that the power supply matches the mains voltage.
- Only use the power supply provided or one of identical specification.
- Ensure the IR remote extender cables are connected to the correct devices.
- Beware of static electricity which may damage the device. Use ESD precautions when installing.
- Do not plug or unplug cables while the devices are powered on.

WHAT'S INCLUDED

- Transmitter x1 and Receivers x4
- Power Adapter 230VAC to 12VDC 3A
- Operation Manual
- IR remote extender
- IR remote receiver x4

FEATURES

- Plug and play.
- Can be wall mounted for easy installation.
- 4K@60Hz HDMI signal can be transmitted <30 meters through a CAT6/6A/7 network cable and <60m at 1080p@60Hz
- Transmitter support one HDMI loop-out.
- Support bi-directional IR passback function (20-60KHz).
- All receivers can be powered by the transmitter via network cable.

OVERVIEW

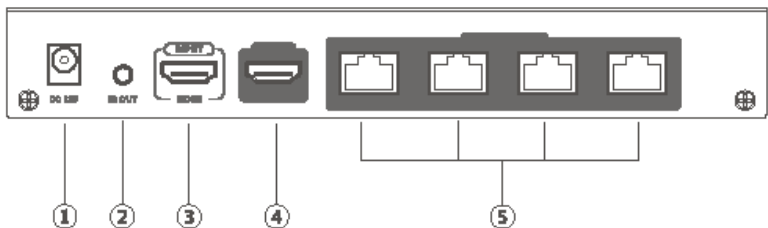
This HDMI Extender includes a transmitter unit and a receiver unit, allows an HDMI signal to be transmitted to 4 displays up to 30 meters at 4K resolution using a CAT6/6A/7 network cable.

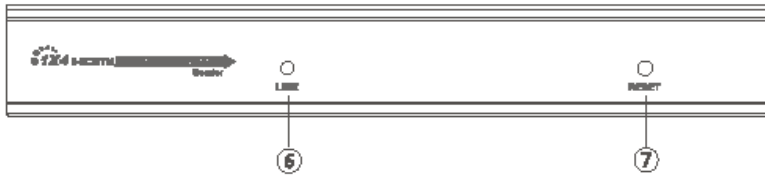
Requirements:

1. HDMI source device (PC, DVD, PS3) HD monitoring equipment etc.
2. HDMI display device like SDTV, HDTV, projector with HDMI port.

NOTE: It is recommended to use a high quality network cable to avoid signal loss and crosstalk.

Transmitter





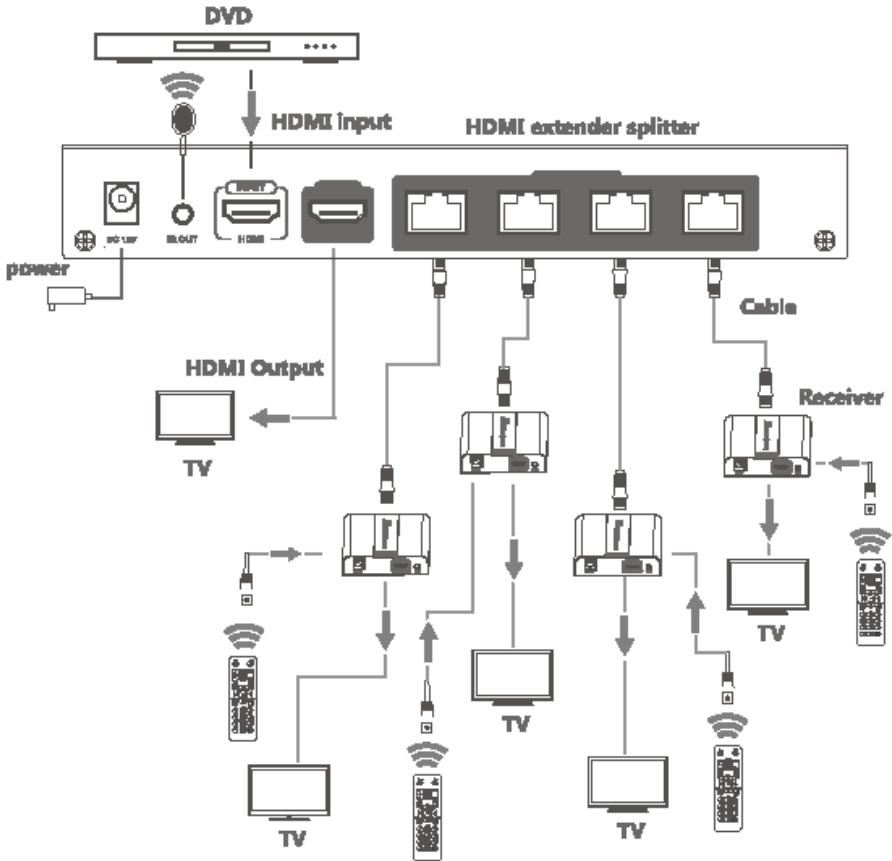
1. Power input	Connect with DC12V/3A power adapter (supplied)
2. IR signal output	Connect with IR transmitter extension cable, face the emitter towards the source device IR receiver panel
3. HDMI input	Connect with the source device
4. HDMI output	Connect with HDMI display device
5. RJ45 signal output	Connect to CAT6 or better network cable
6. Power/signal LED	Power LED illuminates when connect with the power adapter. Red light indicates no image transmission, blue light indicates data is being transmitted
7. Reset	Press to

Receiver



1. Reset Button	Press to restart the device
2. RJ45 signal input	Connect with CAT6 or better network cable
3. Power/Signal indicator	Power LED illuminates when connect with the power adapter. Red light indicates no image transmission, blue light indicates data is being transmitted
4. Power input	Connect with 12VDC/1A power adapter (optional)
5. HDMI output	Connect with HDMI display device
6. IR signal in	Connect with IR receiver extension cable, please make sure the remote control used is within the effective range

INSTALLATION



- Connect the source device to the HDMI in port of the transmitter with an HDMI cable, and connect the HDMI out port of the receivers to each display device with a second HDMI cable.
- Connect the CAT out port of the transmitter and the CAT in port of the receivers via a network cable (CAT6/CAT6A/CAT7).
If using HDMI loop out, connect the display device to the HDMI OUT port of the transmitter.
- Plug the power supply into the transmitter and connect to the mains supply.

Note: If the network cable is too short, there may be no display output because the signal is too strong. If the cable is too long, the output may degrade.

CAT CABLE REQUIREMENT

Follow the standard of IEEE-568B, It is recommended to select a high quality network cable with less loss and crosstalk.

IR User Guide:

- IR receiver extension cables should be connected to the IR IN port of the receivers. Only use one remote control in one location at a time to avoid conflict.
- The IR emitter extension cable should be connected to the IR OUT port of the transmitter.
- The emitter of the IR extension cable should face as close as possible to the IR receiving window of the source device.
- Face the receiving head of the IR receiver extension cable toward the user for unobstructed line of sight to the remote control.
- The IR receiver detects the users remote control and transmits the signal down the network cable to the IR emitter which replicates the IR output to control the source device.

SPECIFICATIONS

Voltage/Current	DC 12V/3A
Power consumption	TX: <32W RX: <6W
HDMI compliance	HDMI 2.0
HDCP compliance	HDCP 2.2
Supported resolutions	480i@60Hz, 480p@60Hz, 576i@50Hz, 576p@50Hz, 720p@50/60Hz, 1080i@50/60Hz, 1080p@50/60Hz 3840x2140@30/60Hz
IR signal	Supports 20~60KHz IR device
CAT6/6A/7	<30m
Working temperature	0~60°C
Storage temperature	-20~70°C
Humidity	0~90%RH (no condensation)
Dimension	TX: 212.6(L) x 102.4(W) x 31.0(H)mm RX: 101.0(L) x 81.6(W) x 20.6(H)mm
Material	Aluminium alloy
Weight	TX: 575g RX: 190g

CLEANING & MAINTENANCE

Clean the outside casing with a soft cloth lightly moistened with mild soap and water. Never use any abrasive or solvents.



INFORMATION ON WASTE DISPOSAL FOR CONSUMERS OF ELECTRICAL & ELECTRONIC EQUIPMENT.

When this product has reached the end of its life it must be treated as Waste Electrical & Electronic Equipment (WEEE). Any WEEE marked products must not be mixed with general household waste, but kept separate for the treatment, recovery and recycling of the materials used. Contact your local authority for details of recycling schemes in your area.



Made in China
PO Box 13362 Dublin 2
PR2 9PP
Man Rev 1.1