

# PRO-SIGNAL



## HDMI EXTENDER OVER CAT5/6 PSG3444

The terms HDMI, HDMI High-Definition Multimedia Interface, and the HDMI Logo are trademarks or registered trademarks of HDMI Licensing Administrator, Inc.

**Please read these instructions carefully before use and retain for future reference.**

### **IMPORTANT SAFETY INFORMATION**

*When using electrical appliances basic safety precautions should always be followed.*

- To prevent fire or shock hazard, do not expose this product to rain or moisture.
- Check that the power supply matches the mains voltage.
- Only use the power supply provided or one of identical specification.
- Ensure the IR remote extender cables are connected to the correct devices.
- Beware of static electricity which may damage the device. Use ESD precautions when installing.
- Do not plug or unplug cables while the devices are powered on.

### **WHAT'S INCLUDED**

- HDMI Extender and Receiver
- 2 x Power Adapter 230VAC to 5VDC 1A
- Operation Manual
- IR remote extender
- IR remote receiver

### **FEATURES**

- Supports full HD 1080p@50/60Hz.
- Supports 1 to 1 and 1 to many.
- Transmission up to 120 metres.
- HDMI 1.3 and HDCP 1.4 compliant.

### **CAT CABLE REQUIREMENT**

Follow the standard of IEEE-568B, It is recommended to select a high quality network cable with less loss and crosstalk.

- |                |               |
|----------------|---------------|
| 1 orange/white | 5 Blue/white  |
| 2 orange       | 6 Green       |
| 3 Green/white  | 7 Brown/white |
| 4 Blue         | 8 Brown       |

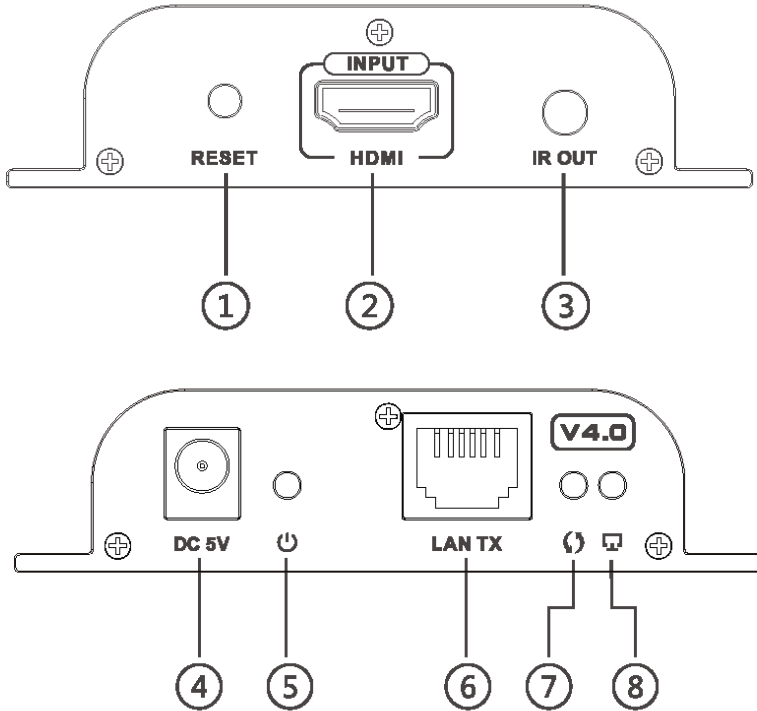


### **OVERVIEW**

- This HDMI Extender allows a signal over a CAT6 up to 120 metres.
- IR passback with 20-60KHz frequency to control source device.

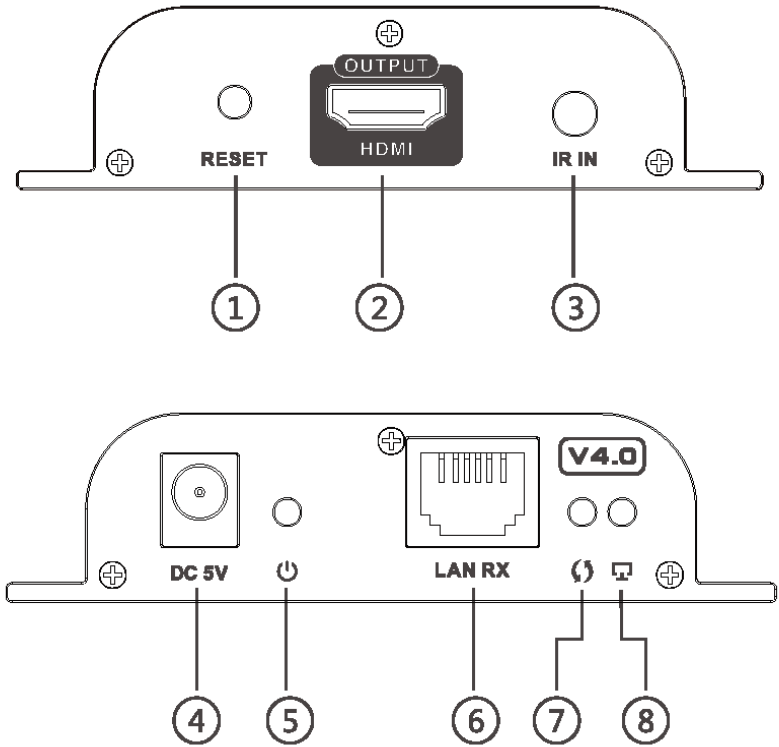
## INSTALLATION

### TRANSMITTER



1. Reset button - press to reset the device.
2. HDMI input - connect with source device.
3. IR extender emitter connection
4. Power input - connect to PSU 5VDC output jack.
5. Power LED - illuminates when power is on.
6. CAT network cable RJ45 socket.
7. Data transmission LED - flashes when transmitting signal.
8. Connection indicator LED - illuminates to indicate connection to receiver is good.

# RECEIVER

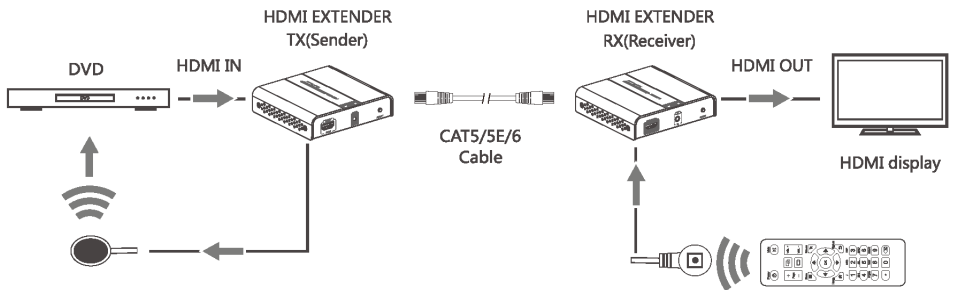


1. Reset button - press to reset the device.
2. HDMI output - connect with source device.
3. IR extender receiver connection
4. Power input - connect to PSU 5VDC output jack.
5. Power LED - illuminates when power is on.
6. CAT network cable RJ45 socket.
7. Data transmission LED - flashes when transmitting signal.
8. Connection indicator LED - illuminates to indicate connection to receiver is good.

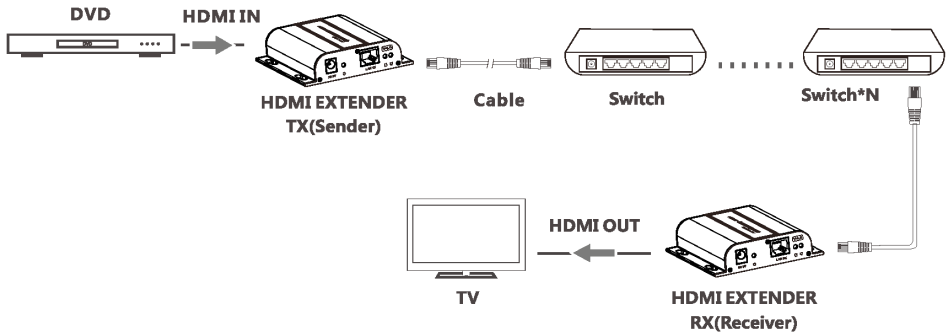
## OPERATION

### IR User Guide:

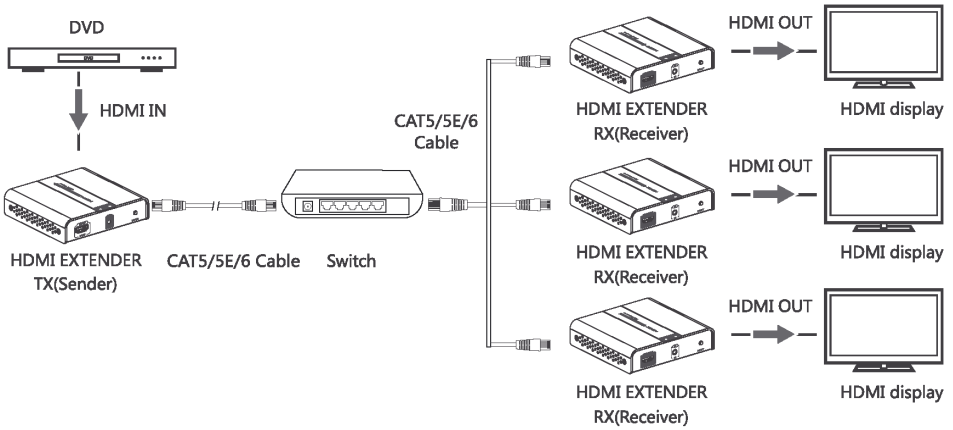
- IR receiver extension cable should be connected to the IR IN port of the receiver.
- The IR emitter extension cable should be connected to the IR OUT port of the transmitter.
- The emitter of the IR extension cable should face as close as possible to the IR receiving window of the source device.
- Face the receiving head of the IR receiver extension cable toward the user for unobstructed line of sight to the remote control.
- The IR receiver detects the users remote control and transmits the signal down the network cable to the IR emitter which replicates the IR output to control the source device.



- One to one connection with IR remote up to 120 metres over HQ CAT6 cable.



- LAN switch cascade by using the LAN switch/router to gain unlimited extension.



- One to many connection using router/switch over HQ CAT6 cable.

## SPECIFICATIONS

Voltage/Current	DC 5V1A
Power consumption	TX: <3.5W RX: <3W
HDMI compliance	HDMI 1.3
HDCP compliance	HDCP 1.4
HDMI input resolution	480i@60Hz, 480p@60Hz, 576i@50Hz, 576i@50Hz, 576p@50Hz, 720p@50/60Hz, 1080i@50/60Hz, 1080p@50/60Hz
Transmission length	CAT5 80m / CAT5E 100m / CAT6 120m
Input/output cable length	<5m (AWG24)
IR remote control	Supports IR passback with 20-60KHz frequency
Transfer method	Over UTP/STP CAT5/5e/6
Connector	RJ45
Working temperature	0~60°C
Storage temperature	-10~ 70°C
Humidity	0~90%RH (no condensation)
Dimension (RX & TX)	96.8(W) x 94(D) x 23.7(H)mm
Material	Alloy
Weight	287g total

## CLEANING & MAINTENANCE

Clean the outside casing with a soft cloth lightly moistened with mild soap and water. Never use any abrasive or solvents.

CPC Farnell declares that the radio equipment for wireless transmitter/receivers is in compliance with Radio Equipment Directive 2014/53/EU



**INFORMATION ON WASTE DISPOSAL FOR CONSUMERS OF ELECTRICAL & ELECTRONIC EQUIPMENT.**

When this product has reached the end of its life it must be treated as Waste Electrical & Electronic Equipment (WEEE). Any WEEE marked products must not be mixed with general household waste, but kept separate for the treatment, recovery and recycling of the materials used. Contact your local authority for details of recycling schemes in your area.

Made in China.  
PO Box 13362 Dublin 2  
PR2 9PP

Man Rev 1.0