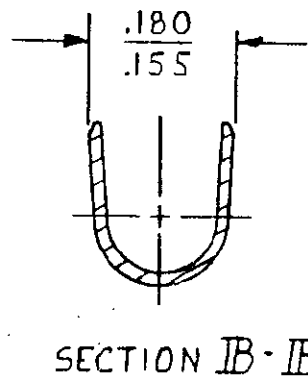
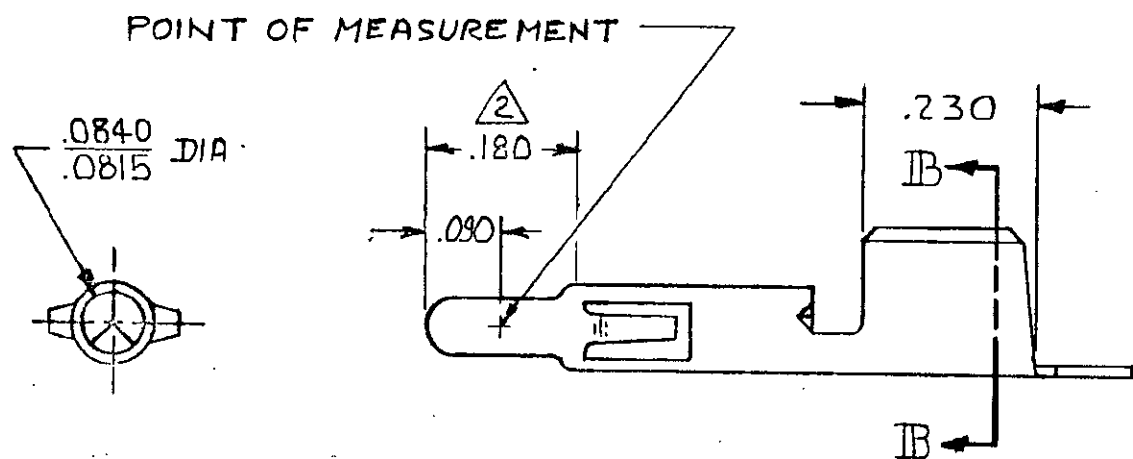
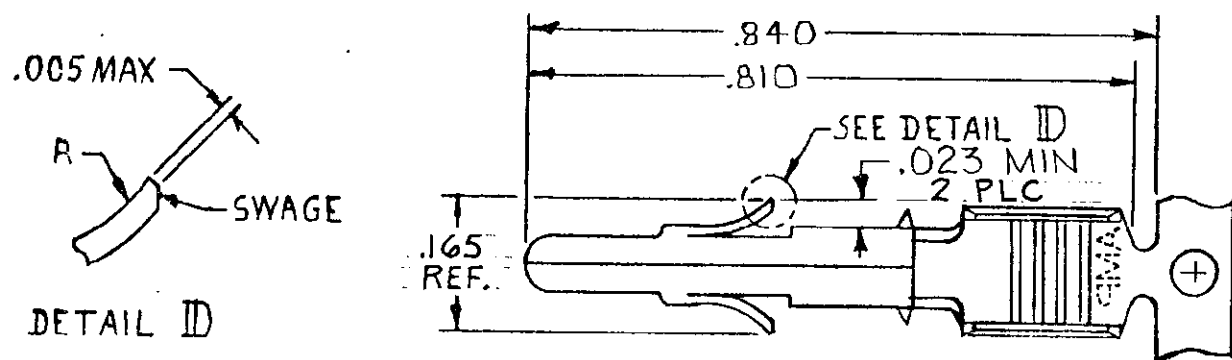


© COPYRIGHT 1976 BY AMP INCORPORATED, HARRISBURG, PA.
 ALL INTERNATIONAL RIGHTS RESERVED. AMP INCORPORATED PRODUCTS
 COVERED BY U. S. AND FOREIGN PATENTS AND/OR PATENTS PENDING.

		REVISIONS			241 1	LOC CM	DIST 53
P	F	ZONE	LTR	DESCRIPTION	DATE	APPROVED	
U			T	OBS 1-1 PER CM 2382	6-16-89	TB	RS
			U	REVISED PER CM-3286	2-7-91	PKC	RS
			V	REV PER EC 0730-3607-91	1-7-94	RV	RS
			W	REV PER EC 0730-0141-94	7-26-94	RV	RS



- ① LIMITED BY THE CONNECTOR HOUSING CAVITY.
- ② PLATED WITH .000030 GOLD, OVER .000050 NICKEL UNDERPLATE.
- ③ GOLD OVER NICKEL ON ENTIRE STAMPING; .000030 GOLD MINIMUM AT POINT OF MEASUREMENT IN CONTACT AREA, GOLD FLASH MINIMUM IN WIRE BARREL.

LOOSE PIECE (REF)	FINISH	MATERIAL	PART NO
640309-6	GOLD ②	.01Z PHOS. BRZ.	350922-6
—	GOLD ③	.01Z PHOS. BRZ.	350922-4
640309-3	PRE-TIN	.01Z PHOS. BRZ.	350922-3

UNLESS OTHERWISE SPECIFIED DIMENSIONS ARE IN INCHES. TOLERANCES ON: DECIMALS ± .015 ANGLES ± —	CONTRACT NO	AMP AMP INCORPORATED Harrisburg, Pa.	
	DR M. FEHER 5-6-81		
WIRE RANGE 12-10 AWG	CHK D.S. Heide 6/9/81	NAME PIN, UNIVERSAL MATE-N-LOK	
INSULATION RANGE .200 DIA MAX ①	APPR R. Polachuk 6/10/81	SIZE B	CODE IDENT NO 00779
	APPR	DRAWING NO 350922	
	DSGN APPC	SCALE 4-1	SHEET 1 OF 1
	OTHER APPD		