



5.08mm pitch pluggable rising clamp terminal blocks with screw flanges

Product overview

- 2-12 pole solid block
- Professional rising clamp terminals
- Moulded in green UL94-V0 flame retardant PA66
- Cable acceptance - 0.32 to 1.6mm² (28-14AWG) solid and stranded cable
- Pluggable male and female connectors
- Screw flanges
- Horizontal female plug styles
- Polarised mouldings
- Anti solder wicking
- Captive screws and guided pin alignment
- approved

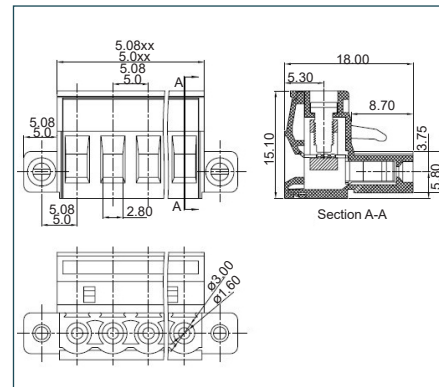
SPECIFICATION

Rating	20A/450V UL=15A/300V, VDE and IMQ=20A/450V
Dielectric strength	0.5kV
Impulse withstand voltage	2kV
Working temperature	-40°C to 105°C
Moulding	UL94-V0 flame retardant PA66
Pin/terminal	Copper alloy, NI and SN
Rising clamp	Copper alloy, NI and SN
Screw/torque	M3 steel zinc plated, 0.5Nm
Recommended PCB hole size	ø1.7mm

Female connector

PART NO.	POLES	LENGTH
CTBP9208/2FL	2	20.3mm
CTBP9208/3FL	3	25.4mm
CTBP9208/4FL	4	30.5mm
CTBP9208/5FL	5	35.6mm
CTBP9208/6FL	6	40.7mm
CTBP9208/7FL	7	45.7mm
CTBP9208/8FL	8	50.8mm
CTBP9208/9FL	9	55.9mm
CTBP9208/10FL	10	60.0mm
CTBP9208/11FL	11	66.1mm
CTBP9208/12FL	12	71.1mm

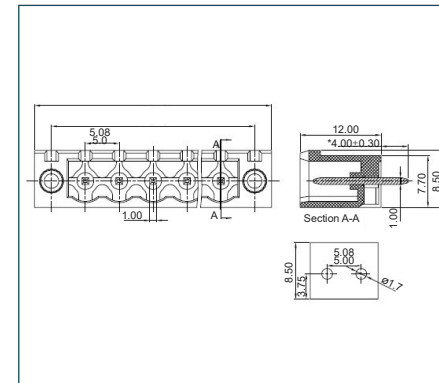
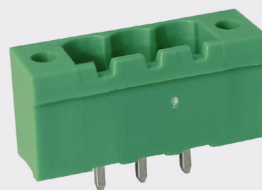
CTBP9208 FL



Female vertical connector (standard)

PART NO.	POLES	LENGTH
CTBP9308/2FL	2	20.3mm
CTBP9308/3FL	3	25.4mm
CTBP9308/4FL	4	30.5mm
CTBP9308/5FL	5	35.6mm
CTBP9308/6FL	6	40.7mm
CTBP9308/7FL	7	45.7mm
CTBP9308/8FL	8	50.8mm
CTBP9308/9FL	9	55.9mm
CTBP9308/10FL	10	61.0mm
CTBP9308/11FL	11	66.1mm
CTBP9308/12FL	12	71.1mm

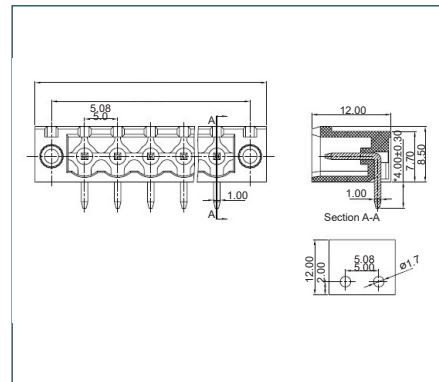
CTBP9308 FL



Female vertical connector (reversed)

PART NO.	POLES	LENGTH
CTBP9358/2FL	2	20.3mm
CTBP9358/3FL	3	25.4mm
CTBP9358/4FL	4	30.5mm
CTBP9358/5FL	5	35.6mm
CTBP9358/6FL	6	40.7mm
CTBP9358/7FL	7	45.7mm
CTBP9358/8FL	8	50.8mm
CTBP9358/9FL	9	55.9mm
CTBP9358/10FL	10	61.0mm
CTBP9358/11FL	11	66.1mm
CTBP9358/12FL	12	71.1mm

CTBP9358 FL



5.08mm DIN rail mounted inverted/reverse terminal blocks

Product overview

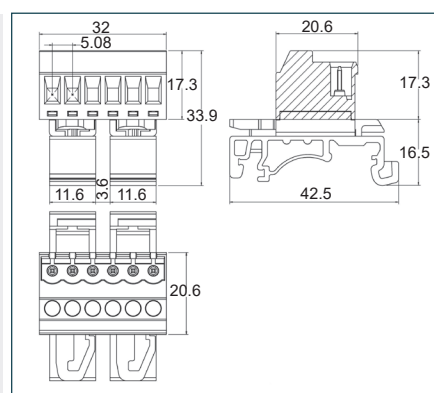
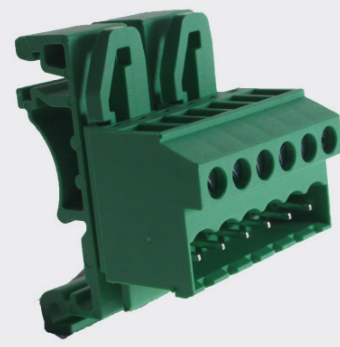
- Horizontal orientations
- Polarized moldings
- Can be reversed on DIN clips
- Also available in 5.08mm pitch
- Molded in green UL94-V0 flame retardant PA 66
- 2.5mm² (28-14AWG)
-  approved
- 6-12 poles standard (13-24 also available)

SPECIFICATION	
Rating	UL=15A/300V IEC 20A/450V
Insulation resistance	500MΩ/500V
Withstand Voltage	AC2000V/1min
Contact Resistance	20mΩ (max)
Working Temperature	-40°C to 105+°C
Mouldings	UL94-V0 Flame retardant PA66
Pin/Terminal	Brass, Tin plated
Rising Clamp	Brass, nickel plated
Screw/Torque	M3 Steel, zinc plated 0.5Nm

DIN rail mounting male vertical

PART NO.	POLES	LENGTH
CTBPD96VJ/6	6	32.0mm
CTBPD96VJ/7	7	37.1mm
CTBPD96VJ/8	8	42.2mm
CTBPD96VJ/9	9	47.2mm
CTBPD96VJ/10	10	52.3mm
CTBPD96VJ/11	11	57.4mm
CTBPD96VJ/12	12	62.5mm

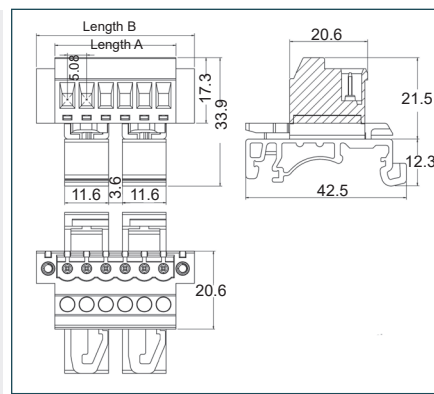
CTBPD96VJ



DIN rail mounting male vertical flanged

PART NO.	POLES	LENGTH A	LENGTH B
CTBPD96VJ/6FL	6	32.0mm	41.8mm
CTBPD96VJ/7FL	7	37.1mm	46.9mm
CTBPD96VJ/8FL	8	42.2mm	52.0mm
CTBPD96VJ/9FL	9	47.2mm	57.0mm
CTBPD96VJ/10FL	10	52.3mm	62.1mm
CTBPD96VJ/11FL	11	57.4mm	67.2mm
CTBPD96VJ/12FL	12	62.5mm	72.3mm

CTBPD96VJ/FL



DIN rail mounting male horizontal

PART NO.	POLES	LENGTH
CTBPD96HJ/6	6	32.0mm
CTBPD96HJ/7	7	37.1mm
CTBPD96HJ/8	8	42.2mm
CTBPD96HJ/9	9	47.2mm
CTBPD96HJ/10	10	52.3mm
CTBPD96HJ/11	11	57.4mm
CTBPD96HJ/12	12	62.5mm

CTBPD96HJ

