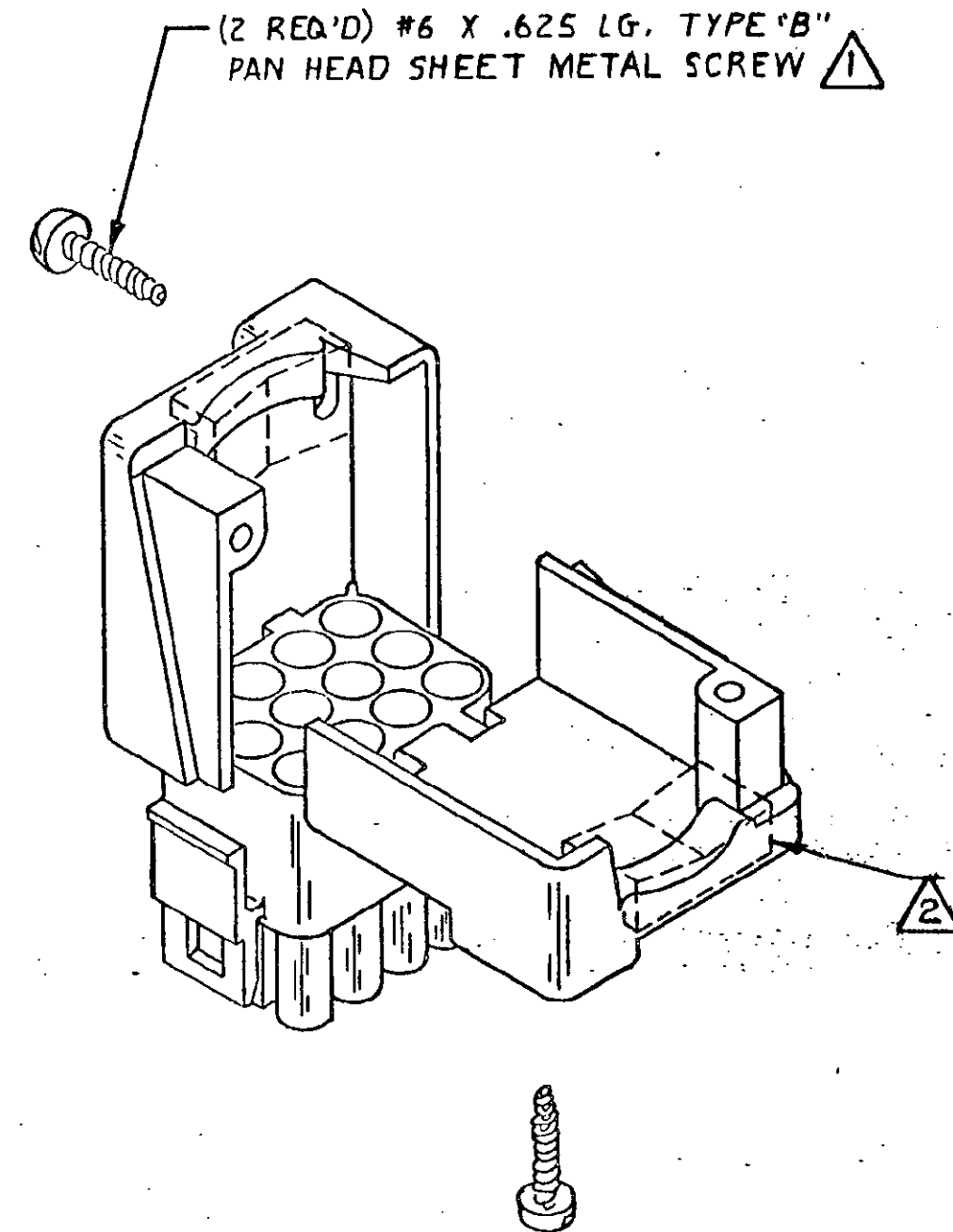
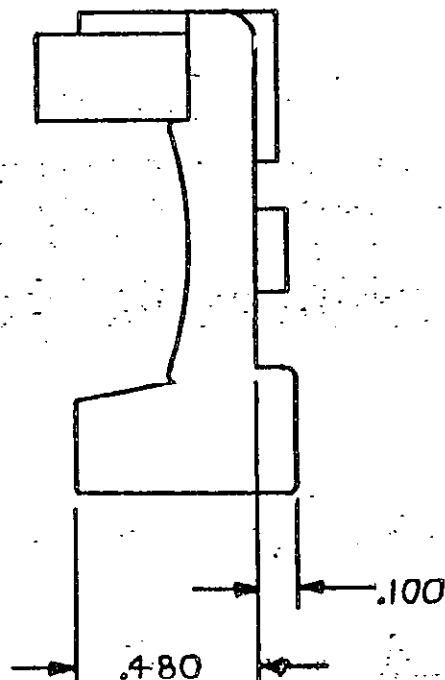
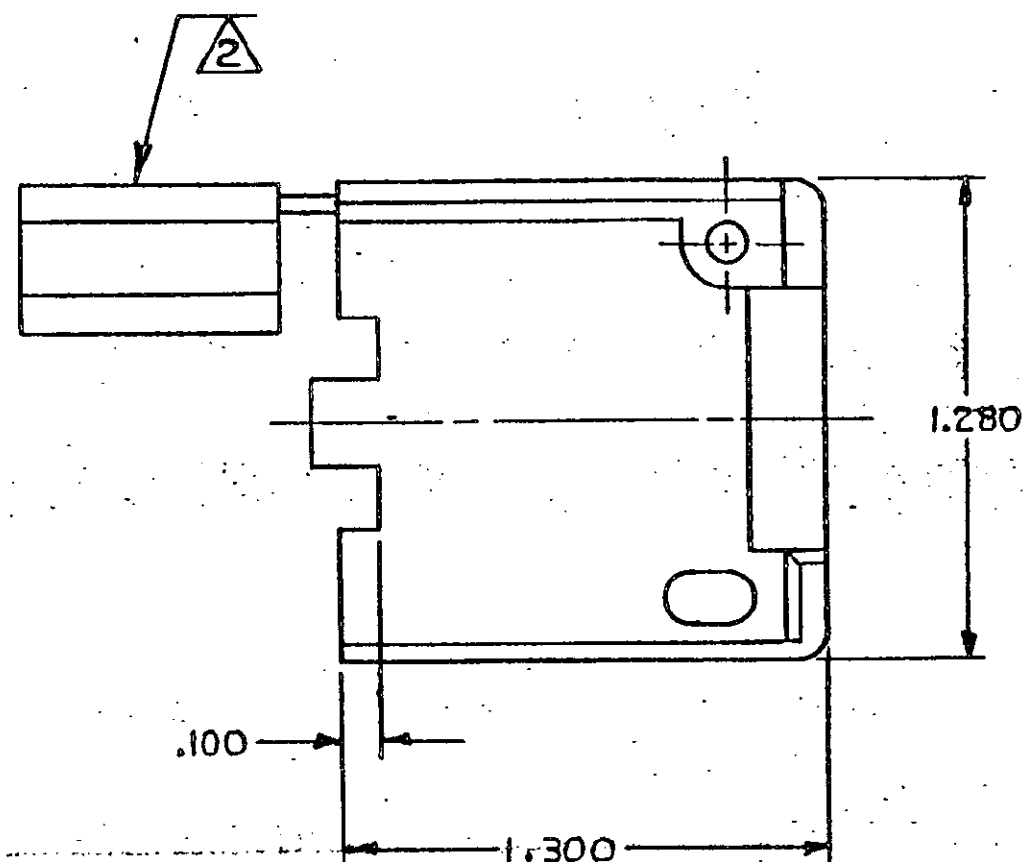
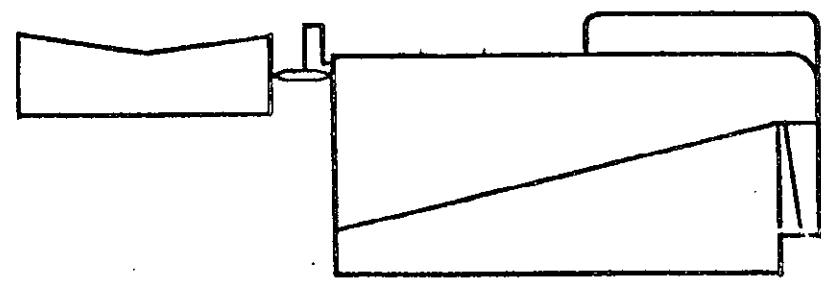


© COPYRIGHT 1978 BY AMP INCORPORATED, HARRISBURG, PA.
 ALL INTERNATIONAL RIGHTS RESERVED. AMP INCORPORATED PRODUCTS
 COVERED BY U. S. AND FOREIGN PATENTS AND/OR PATENTS PENDING.

REVISIONS						
P	F	ZONE	LTR	DESCRIPTION	DATE	APPROVED
✓	✓		C	REV PER EC 0730-0201-94	4/26/95	JH RS
✓						
✓						

- ⚠ SHEET METAL SCREWS NOT SUPPLIED.
- ② INSERT IS ATTACHED TO STRAIN RELIEF. AS AN ADDITIONAL ADJUSTMENT FOR SMALL WIRE BUNDLES, IT SHOULD BE CUT OFF AND POSITIONED AS SHOWN BY DOTTED LINES.
- ③ TWO REQUIRED PER CONNECTOR.
- 4. DETACHABLE INSERT MAY SEPARATE FROM STRAIN RELIEF BODY DURING SHIPPING.



NYLON 94V-0	640717-1
MATERIAL	PART NO

	WIRE BUNDLE DIA
WITHOUT INSERT	.750 MAX
WITH INSERT	.150 MIN

UNLESS OTHERWISE SPECIFIED DIMENSIONS ARE IN INCHES.
 TOLERANCES ON:
 DECIMALS ± .015
 ANGLES ±

MATERIAL
 SEE TABLE

FINISH
 SEE TABLE

CONTRACT NO

DR M. FEHER 3-2-79

CHK D.S. Heide 3/22/79

APPD J.C.R. 3-22-79

DSGN APPD

OTHER APPD

AMP INCORPORATED
 Harrisburg, Pa.

NAME
 STRAIN RELIEF FOR 12 CIRCUIT
 UNIVERSAL MATE-N-LOK™ CONNECTOR

SIZE CODE IDENT NO DRAWING NO
 C 00779 640717

SCALE 2-1 SHEET 1 OF 1