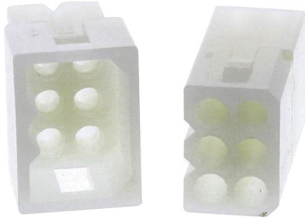


Plug and Socket Pack Terminals Included

multicomp **PRO**

RoHS
Compliant

Wire-to-Wire Plug and Socket, 3.68mm



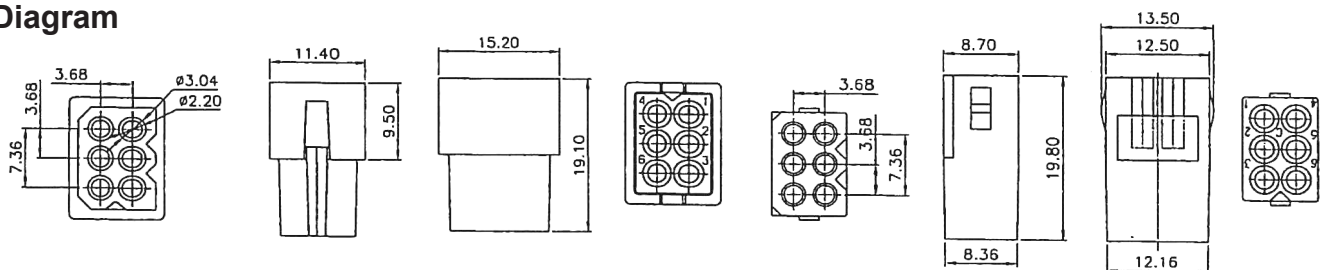
Features

- Integrally molded polarization
- W/O Mfg. Ears
- Friction Lock
- Accepts 56T(LF) terminals

Specifications

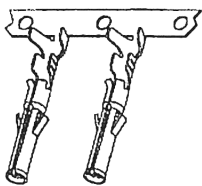
Material : Nylon UL 94V-2
Colour : Natural
Electrical Rating : UL, 30V 8.3A, AC/DC
CSA 250V 4A AC/DC

Diagram



Pins

Terminals, 4.8mm



Specifications

Material : Brass (Lead Free)
Finish : Plated Tin over Nickel
Electrical Rating : 30V 6.3A, AC/DC
Applicable Wire Range : AWG #24 ~ #20

Dimensions : Millimetres

Newark.com/multicomp-pro
Farnell.com/multicomp-pro
sg.element14.com/b/multicomp-pro

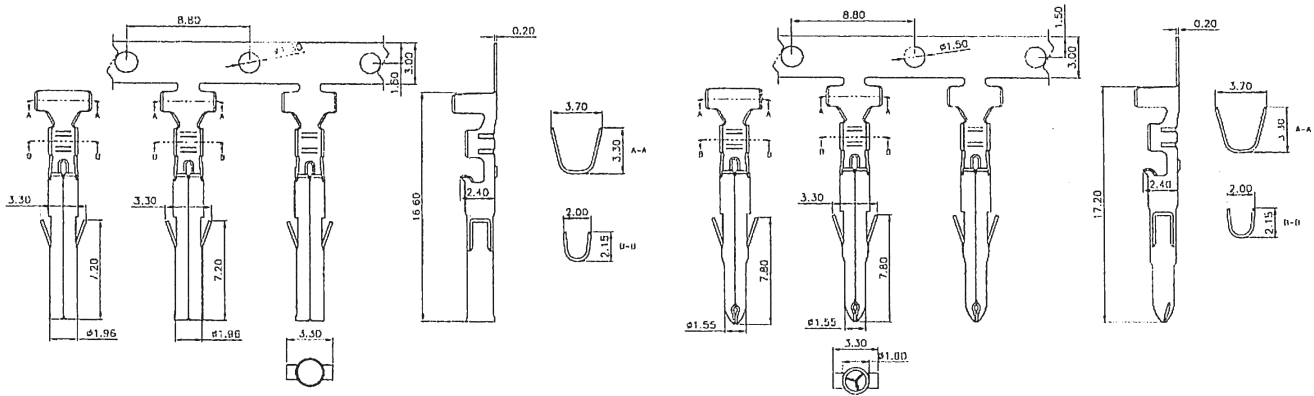
multicomp **PRO**

Plug and Socket Pack

Terminals Included

multicomp PRO

Diagram



Part Number Table

Description	Part Number
Plug and Socket Pack, 6Pos, Terminals Included	27-6035

Dimensions : Millimetres

Important Notice : This data sheet and its contents (the "Information") belong to the members of the AVNET group of companies (the "Group") or are licensed to it. No licence is granted for the use of it other than for information purposes in connection with the products to which it relates. No licence of any intellectual property rights is granted. The Information is subject to change without notice and replaces all data sheets previously supplied. The Information supplied is believed to be accurate but the Group assumes no responsibility for its accuracy or completeness, any error in or omission from it or for any use made of it. Users of this data sheet should check for themselves the Information and the suitability of the products for their purpose and not make any assumptions based on information included or omitted. Liability for loss or damage resulting from any reliance on the Information or use of it (including liability resulting from negligence or where the Group was aware of the possibility of such loss or damage arising) is excluded. This will not operate to limit or restrict the Group's liability for death or personal injury resulting from its negligence. Multicomp Pro is the registered trademark of Premier Farnell Limited 2019.

Newark.com/multicomp-pro
 Farnell.com/multicomp-pro
 sg.element14.com/b/multicomp-pro

multicomp PRO