



AZM300Z-ST-1P2P-N-DU

- Universal coding with RFID technology
- Connector M12, 8-pole
- Power to unlock
- Guard locking monitored
- Diagnostic output
- Emergency release
- Hygienic design
- Protection class IP 69
- Suitable for mounting to profile systems
- Thermoplastic enclosure
- RFID-technology for needs-based protection against tampering
- 3 different directions of actuation
- Compact design
- 3 LEDs to show operating conditions
- Suitable for hinged and sliding guards
- Series-wiring
- Manual release

Data

Ordering data

Product type description	AZM300Z-ST-1P2P-N-DU
Article number (order number)	103046632
EAN (European Article Number)	4030661569055

Approvals - Standards

Certificates	TÜV cULus ECOLAB EAC FCC IC
--------------	--

General data

Standards	EN ISO 13849-1 EN ISO 14119 EN IEC 60947-5-3 EN IEC 61508
Coding	Universal coding
Coding level according to EN ISO 14119	Low
Working principle	RFID
Frequency band RFID	125 kHz
Transmitter output RFID, maximum	-6 dB/m
Enclosure material	Plastic, glass-fibre reinforced thermoplastic, self-extinguishing
Time to readiness, maximum	5,000 ms
Duration of risk, maximum	200 ms
Reaction time, switching off safety outputs via actuator, maximum	100 ms
Reaction time, switching off safety outputs via safety inputs, maximum	1.5 ms

General data - Features

Power to unlock	Yes
Solenoid interlock monitored	Yes
Latching	Yes
Emergency release	Yes
Short circuit detection	Yes
Cross-circuit detection	Yes
Series-wiring	Yes
Safety functions	Yes
Integral system diagnostics, status	Yes
Number of fail-safe digital outputs	2

Safety classification

Standards	EN ISO 13849-1 EN IEC 61508
-----------	--------------------------------

Safety classification - Interlocking function

Performance Level, up to	e
Category	4
PFH value	5.20×10^{-10} /h
PFD value	4.50×10^{-5}
Safety Integrity Level (SIL), suitable for applications in	3
Mission time	20 Year(s)

Safety classification - Guard locking function

Performance Level, up to	d
Category	2
PFH value	2.00×10^{-9} /h
PFD value	1.80×10^{-4}
Safety Integrity Level (SIL), suitable for applications in	2
Mission time	20 Year(s)

Mechanical data

Mechanical life, minimum	1,000,000 Operations
Note (Mechanical life)	When using as door stop: ≥ 50.000 operations (door mass ≤ 5 kg and actuating speed ≤ 0.5 m/s)
Angular misalignment between solenoid interlock and actuator, maximum	2°
Holding force F_{Zh} in accordance with EN ISO 14119	1,150 N
Holding force F_{max} , maximum	1,500 N

Latching force, adjustable, position 1 25 N

1

Latching force, adjustable, position 2 50 N

2

Type of the fixing screws 2x M6

Tightening torque of the fixing screws, minimum 6 Nm

Tightening torque of the fixing screws, maximum 7 Nm

Mechanical data - Switching distances according EN IEC 60947-5-3

Assured switching distance "ON" S 1 mm

ao

Assured switching distance "OFF" S 20 mm

ar

Switch distance, typical 2 mm

Mechanical data - Connection technique

Termination Connector M12, 8-pole, A-coded

Length of sensor chain, maximum 200 m

Note (length of the sensor chain) Cable length and cross-section change the voltage drop depending on the output current

Note (series-wiring) Unlimited number of devices, observe external line fusing, max. 31 devices in case of serial diagnostic SD

Mechanical data - Dimensions

Length of sensor 146 mm

Width of sensor 87.5 mm

Height of sensor 55 mm

Ambient conditions

Degree of protection IP67
IP69
IP66

Ambient temperature, minimum	+0 °C
Ambient temperature, maximum	+60 °C
Storage and transport temperature, minimum	-10 °C
Storage and transport temperature, maximum	+90 °C
Relative humidity, maximum	93 %
Note (Relative humidity)	non-condensing non-icing
Resistance to vibration to EN 60068-2-6	10 ... 150 Hz, amplitude 0.35 mm
Resistance to shock	30 g / 11 ms
Protection class	III
Permissible installation altitude above sea level, maximum	2,000 m

Ambient conditions - Insulation values

Rated insulation voltage U_i	32 VDC
Rated impulse withstand voltage U_{imp}	0.8 kV
Overvoltage category	III
Degree of pollution to IEC/EN 60664-1	3

Electrical data

Operating voltage, minimum	20.4 VDC
Operating voltage, maximum	26.4 VDC
Note (Power supply, general)	stabilised PELV power supply
No-load supply current I_0 , maximum	100 mA
Current consumption with magnet ON, average	200 mA
Current consumption with magnet ON, peak	350 mA / 200 ms

Required rated short-circuit current to EN 60947-5-1	100 A
External wire and device fuse rating	2 A gG
Switching frequency, maximum	0.5 Hz

Electrical data - Magnet control

Designation, Magnet control	IN
Switching thresholds	-3 V ... 5 V (Low) 15 V ... 30 V (High)
Current consumption at 24V	10 mA
Magnet switch-on time	100 %
Test pulse duration, maximum	5 ms
Test pulse interval, minimum	40 ms
Classification ZVEI CB24I, Sink	C0
Classification ZVEI CB24I, Source	C1 C2 C3

Electrical data - Safety digital inputs

Designation, Safety inputs	X1 and X2
Switching thresholds	-3 V ... 5 V (Low) 15 V ... 30 V (High)
Current consumption at 24V	5 mA
Test pulse duration, maximum	1 ms
Test pulse interval, minimum	100 ms
Classification ZVEI CB24I, Sink	C1
Classification ZVEI CB24I, Source	C1 C2 C3

Electrical data - Safety digital outputs

Designation, Safety outputs	Y1 and Y2
Design of control elements	short-circuit proof, p-type

Voltage drop U_d , maximum	2 V
Leakage current I_r , maximum	0.5 mA
Voltage, Utilisation category DC-12	24 VDC
Current, Utilisation category DC-12	0.25 A
Voltage, Utilisation category DC-13	24 VDC
Current, Utilisation category DC-13	0.25 A
Test pulse duration, maximum	0.5 ms
Test pulse interval, typical	1000 ms
Classification ZVEI CB24I, Source	C2
Classification ZVEI CB24I, Sink	C1 C2

Electrical data - Diagnostic outputs

Designation, Diagnostic outputs	OUT
Voltage drop U_d , maximum	2 V
Voltage, Utilisation category DC-12	24 VDC
Current, Utilisation category DC-12	0.05 A
Voltage, Utilisation category DC-13	24 VDC
Current, Utilisation category DC-13	0.05 A

Status indication

Note (LED switching conditions display)	Operating condition: LED green Error / functional defect: LED red Supply voltage UB: LED green
---	--

Pin assignment

PIN 1	A1 Supply voltage UB
PIN 2	X1 Safety input 1
PIN 3	A2 GND
PIN 4	Y1 Safety output 1
PIN 5	OUT Diagnostic output
PIN 6	X2 Safety input 2

PIN 7 Y2 Safety output 2

PIN 8 IN Solenoid control

Scope of delivery

Scope of delivery Actuators must be ordered separately.

Accessory

Recommendation (actuator) AZ/AZM300-B1

Note

Note (General) For doors that are flush with the door frame, the optional mounting plate MP-AZ/AZM300-1 can be used.
For glass and Makrolon doors, the optional mounting kit MS-AZ/AZM300-B1-1 can be used.
As long as the actuating unit remains inserted in the solenoid interlock, the unlocked safety guard can be relocked. In this case, the safety outputs are re-enabled, so that the safety guard must not be opened.

Ordering code

Product type description:
AZM300(1)(2)-ST(3)-(4)-(5)

(1)

Z Guard locking monitored

B Actuator monitored

(2)

without Standard coding

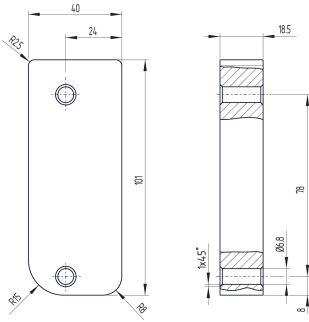
I1 Individual coding

I2 Individual coding, multiple teaching

(3)

1P2P 1 p-type diagnostic output and 2 p-type safety outputs

SD2P serial diagnostic output and 2 p-type safety outputs



ID: kazm3g01

| 23.7 kB | .cdr |

| 133.3 kB | .jpg | 352.778 x 366.889 mm - 1000 x 1040 px - 72 dpi

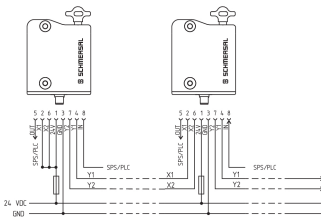
Detail photo



ID: kazm3f30

| 719.9 kB | .jpg | 352.778 x 454.731 mm - 1000 x 1289 px - 72 dpi

Wiring example

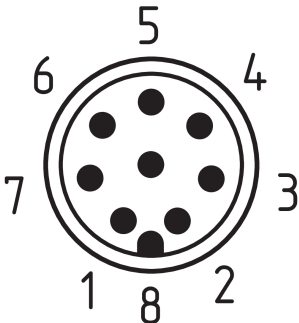


ID: kazm3l01

| 37.8 kB | .cdr |

| 111.9 kB | .jpg | 352.778 x 231.422 mm - 1000 x 656 px - 72 dpi

Contact arrangement



ID: km23-k8b

| 5.3 kB | .png | 73.731 x 79.728 mm - 209 x 226 px - 72 dpi

| 139.8 kB | .jpg | 352.778 x 380.647 mm - 1000 x 1079 px - 72 dpi

Schmersal Ltd., Sparrowhawk Close, WR14 1GL Malvern

The details and data referred to have been carefully checked. Images may diverge from original. Further technical data can be found in the manual. Technical amendments and errors possible.

Generated on: 30/09/2022, 06:56