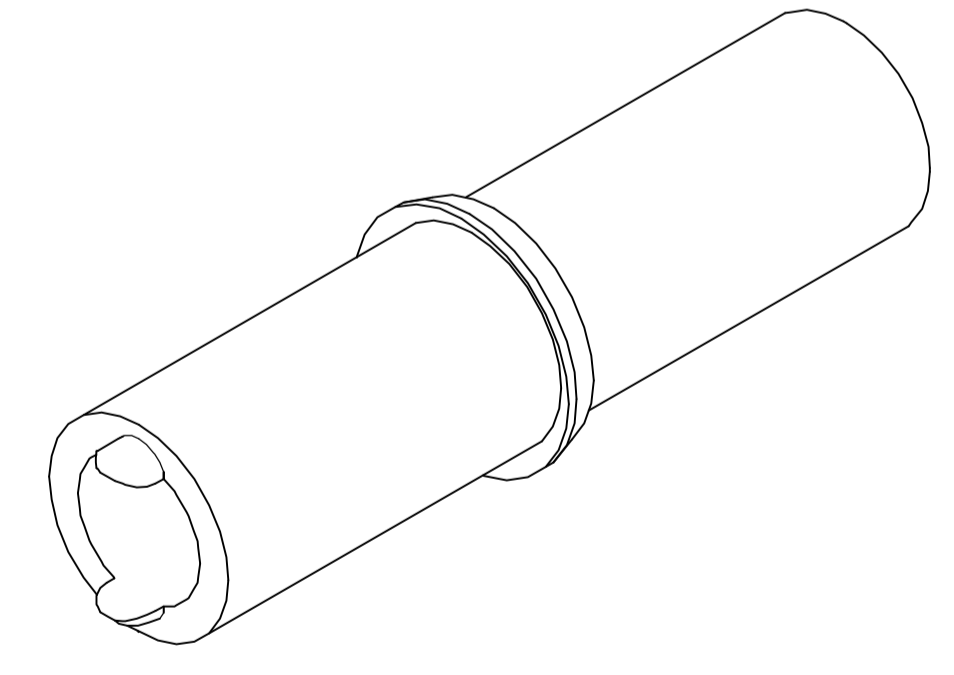
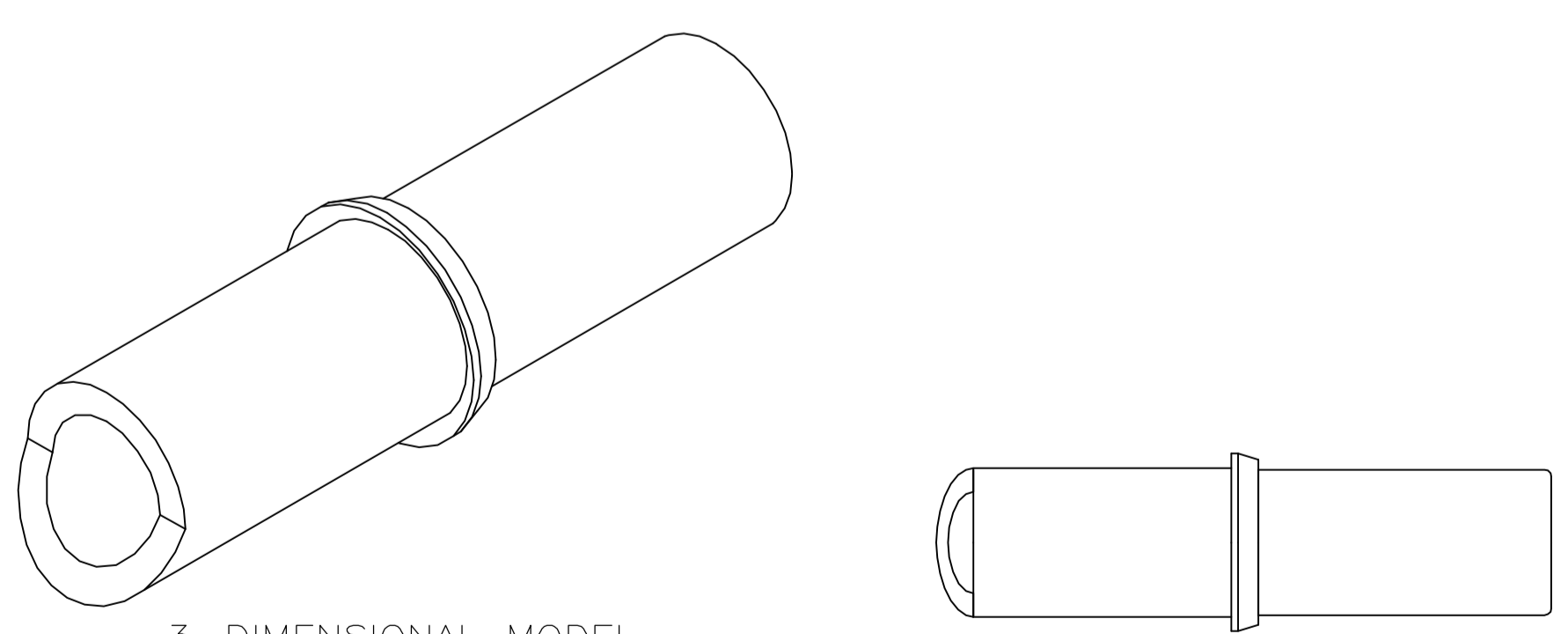
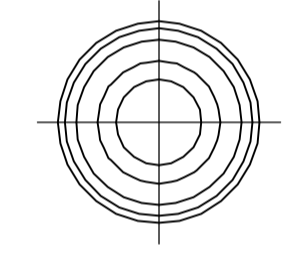
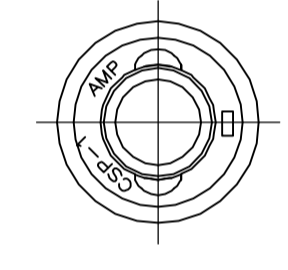
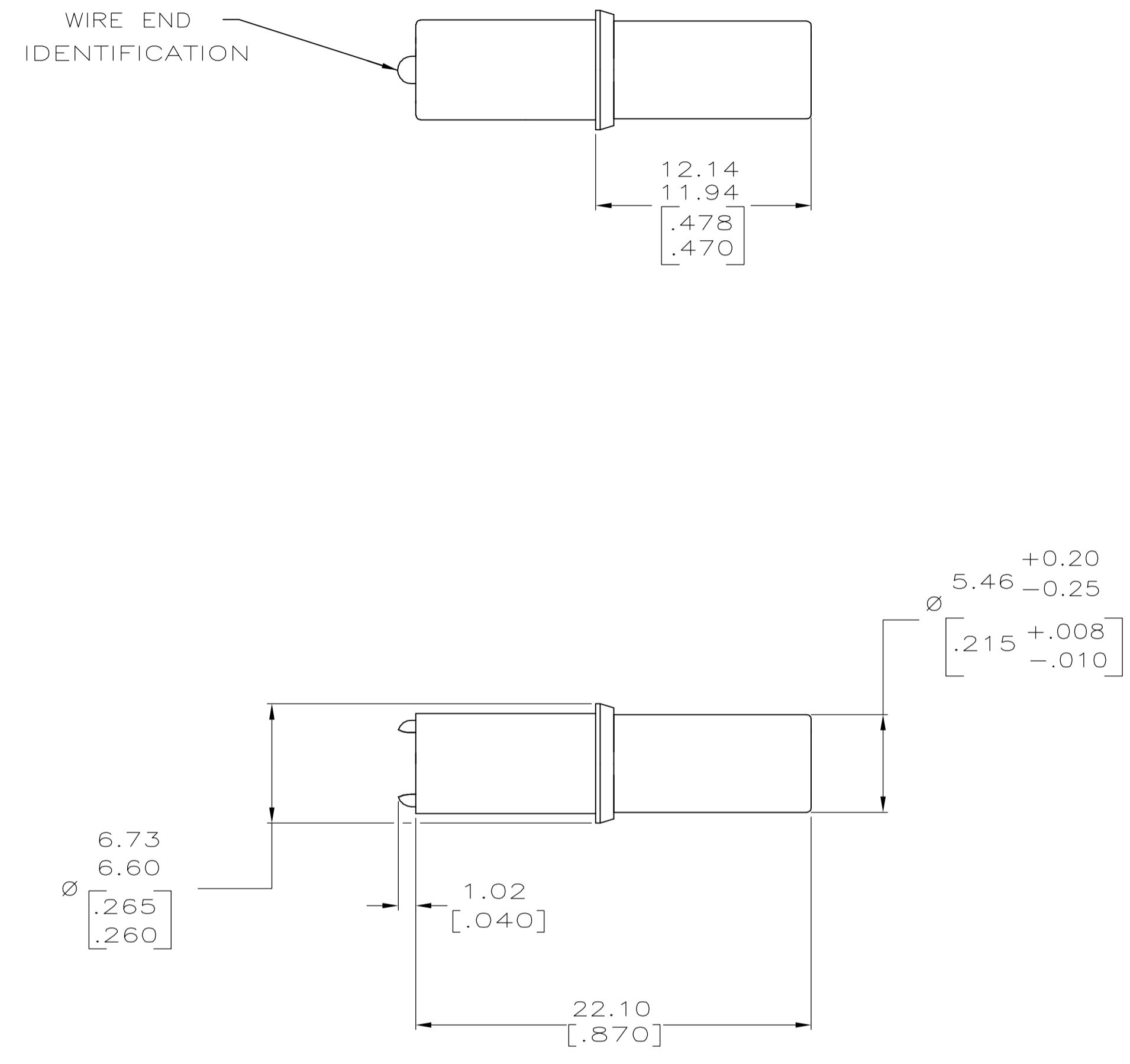


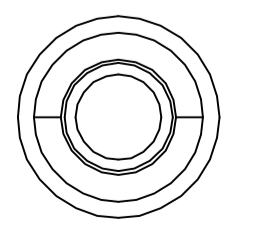
LOC		DIST		REVISIONS			
P	LTR	DESCRIPTION	DATE	DWN	APPD		
K		REVISED PER 0038-0271-05	10/26/05	SS	DC		

1. TO BE USED WITH APPROPRIATE COMMERCIAL MATE-N-LOK SOCKETS.
2. MATES WITH CAP 480350 OR 480351.
3. DIMENSIONS IN BRACKETS ARE IN INCHES.



3-DIMENSIONAL MODEL NTS

3-DIMENSIONAL MODEL NTS



ALTERNATE CONSTRUCTION (FOR FOREIGN PRODUCTION ONLY)

**METRIC**

BLUE	1-480349-6
GREEN	1-480349-5
RED	1-480349-2
NATURAL	1-480349-0
COLOR	PART NO.

THIS DRAWING IS A CONTROLLED DOCUMENT

DESIGNED BY: SALMON	DATE: 3-8-94		Tyco Electronics Corporation	
CHECKED BY: SWING	DATE: 3-8-94		Harrisburg, PA 17105-3608	
DIMENSIONS: INCHES	TOLERANCES UNLESS OTHERWISE SPECIFIED:	PRODUCT SPEC	TM PLUG, SINGLE CIRCUIT,	
0 PLC ± -	1 PLC ± -	APPLICATION SPEC	SIZE: A1	CAGE CODE: 00779
2 PLC ± 0.13[.005]	3 PLC ± -	WEIGHT	DRAWING NO: 480349	
4 PLC ± -	ANGLES ± -	MATERIAL: NYLON	RESTRICTED TO: -	
CUSTOMER DRAWING			SCALE: 4:1	SHEET: 1 OF 1