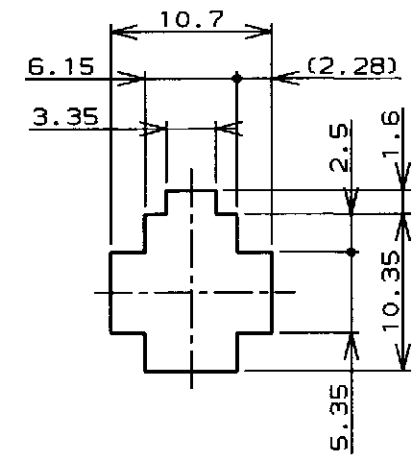
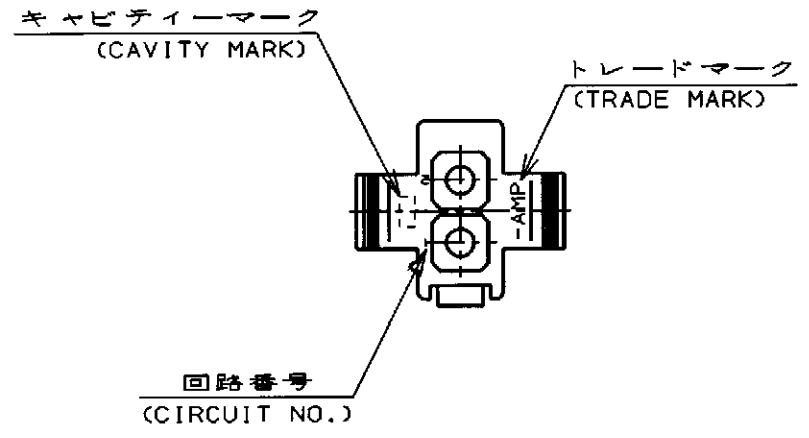
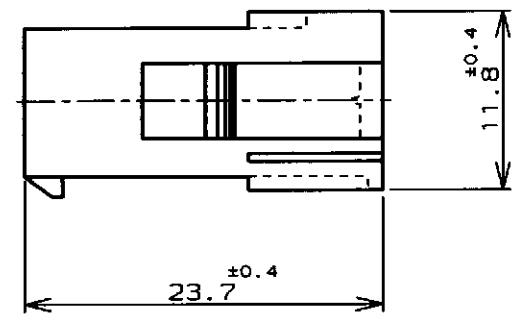
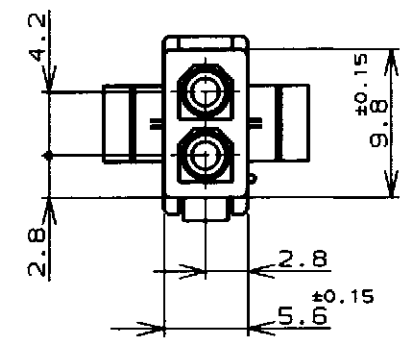
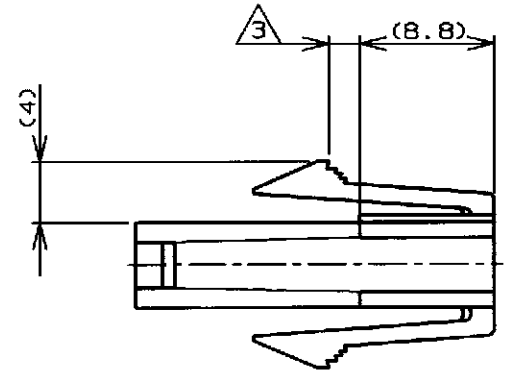


| REVISIONS |     |               |              |          |      |
|-----------|-----|---------------|--------------|----------|------|
| P         | LTR | DESCRIPTION   | ECN          | DATE     | APVD |
| D         |     | 再作成 (REDRAWN) | FJ00-0871-98 | 8 Jun 98 | M.S. |



寸法公差は±0.20  
 (TOLERANCE: ±0.20)  
 パネル取付穴  
 (RECOMENDED PANEL OPENING DIMENSION)



注記;

1. 使用端子型番は170359, 170360, 170361, 170362
2. 嵌合相手ハウジング型番は172165
- △ 適用パネル厚 0.8-2.0mm
4. 取付穴打抜方向とハウジングの挿入方向は同じとする。

NOTE;

1. APPLICABLE CONT P/N: 170359, 170360, 170361, 170362
2. MATING HSG P/N: 172165
- △ APPLICABLE PANEL THICKNESS: 0.8-2.0mm
4. HOUSING INSERTION INTO THE PANEL CUT-OUT MUST BE DONE IN THE SAME DIRECTION WITH PUNCH KNOCKING.

|                       |                        |
|-----------------------|------------------------|
| 黒 (BLACK)             | 1-172157-9             |
| 青 (BLUE)              | 1- -6                  |
| 緑 (GREEN)             | 1- -5                  |
| 赤 (RED)               | 1- -2                  |
| 自然色 (NATURAL)         | 172157-1               |
| 色 (COLOR)             | 型番 (P/N)               |
| WIRE RANGE<br>挿合電線断面積 | INSULATION DIA<br>被覆外径 |

|   |   |
|---|---|
| THIS DRAWING IS A CONTROLLED DOCUMENT FOR AMP INCORPORATED. IT IS SUBJECT TO CHANGE AND THE CONTROLLING ENGINEERING ORGANIZATION SHOULD BE CONTACTED FOR THE LATEST REVISION. |   |
| DIMENSIONS:<br>単位・規<br>mm   | TOLERANCES UNLESS<br>OTHERWISE SPECIFIED<br>一般公差<br>(GENERAL TOLERANCE)<br>±0.3 |
| MATERIAL<br>材料<br>66ナイロン UL94V-0<br>(66NYLON UL94V-0)   | FINISH<br>仕上<br>—   |

|   |
|---|
| OWN<br>M. Yamazaki 8 Jun 98             |
| CHK<br>M. Shi 15 Jun 98                 |
| APVD<br>M. Shi 15 Jun 98                |
| PRODUCT SPEC<br>製品規格<br>108-5138        |
| INSTRUCTION SHEET<br>取り扱い説明書<br>IS-105J |
| WEIGHT<br>—                             |

|   |                    |
|---|--------------------|
| <b>AMP</b> 日本エー・エム・ピー株式会社<br>Kawasaki, Japan  |                    |
| NAME<br>名称<br>2極ミニユニバーサルメイトンロックキャップハウジング (UL94V-0)<br>2Pos MINI UNIVERSAL MATE-N-LOCK CONN. CAP HOUSING (UL94V-0) |                    |
| SIZE<br>A3  | CAGE CODE<br>00779 |
| DRAWING NO<br>番号<br>C=172157  | RESTRICTED TO      |
| CUSTOMER DRAWING  |                    |
| SCALE<br>尺度 2-1   | SHEET<br>1 OF 1    |
| REV<br>D  |                    |