



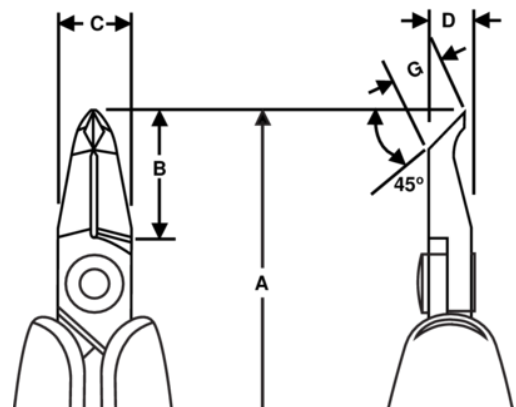
## RX 8247

### ERGO™ Long Precision 45° Tapered Head Oblique Cutters 0.2 mm-1 mm



#### PRODUCT DETAILS

- Precision oblique cutters 45° long head developed according to the scientific ERGO™ process
- ERGO™ handles with two-component combination, thermoplastic surface, for comfortable grip, on tough polypropylene core for rigidity
- Flush cut
- The cutting capacity that is given is for copper wire
- Cutting capacity: 0.2 mm to 1 mm Cu
- High performance alloyed steel
- Burnished finish
- Numerically controlled machine grinding guarantees edge angle accuracy & contact, increases the tool's reliability & consistency
- Precision induction-hardened edges 63-65 HRC
- Screw joint minimises friction & maximises alignment of cutting edges
- ESD safe handles in two-component synthetic material
- Bio spring limits the tension throughout the working cycle of the tool & can be adjusted to 3 different positions or removed
- Ideal for rework & close assembly needs



PRODUCT ATTRIBUTES

Product: **RX 8247**

	Angle 45°		S		Flush
	0.2-1.0 mm		0.01-0.04 in	<b>A</b>	143 mm
<b>A</b>	5.63 in	<b>B</b>	18 mm	<b>B</b>	0,71 in
<b>C</b>	10 mm	<b>C</b>	0.39 in	<b>D</b>	6 mm
<b>D</b>	0,24 inch	<b>G</b>	6,7 mm	<b>G</b>	0,26 in
	72 g	<b>Ω</b>	Dissipative		