

4

3

2

1

THIS DRAWING IS UNPUBLISHED. RELEASED FOR PUBLICATION
 © COPYRIGHT BY TYCO ELECTRONICS CORPORATION. ALL RIGHTS RESERVED.

LOC	DIST	REVISIONS					
J	-	P	LTR	DESCRIPTION	DATE	DWN	APVD
		D		REDRAWN FJD0-0307-03	13NOV'03	A.O	M.S
		E		REVISED FJD0-0224-04	21JUN'04	Y.Y	N.Y
		F		REVISED FJD0-0488-04	16DEC'04	Y.Y	N.Y

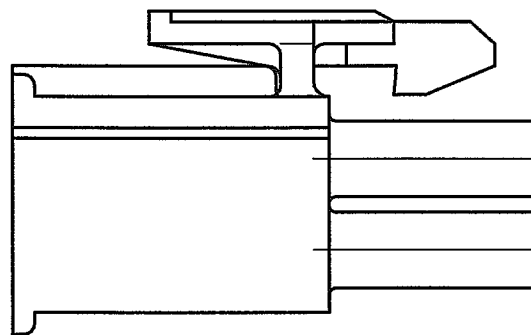
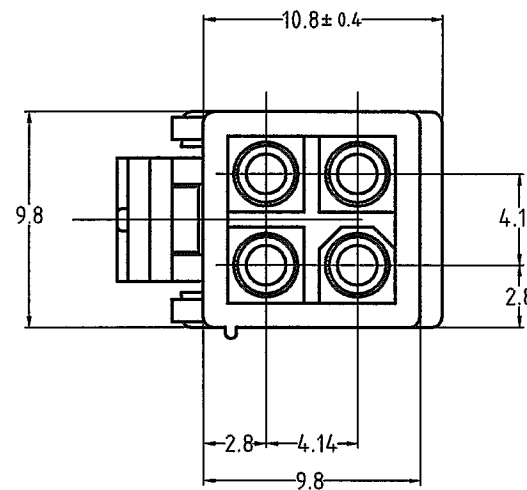
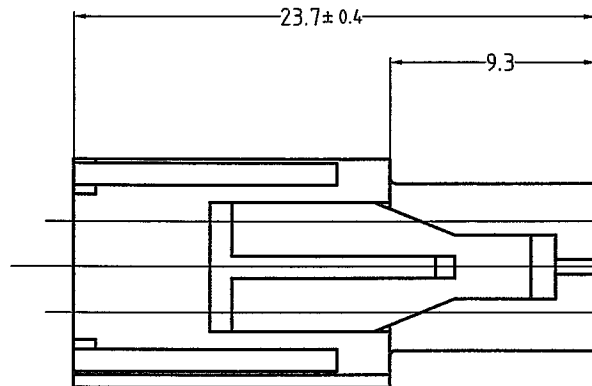
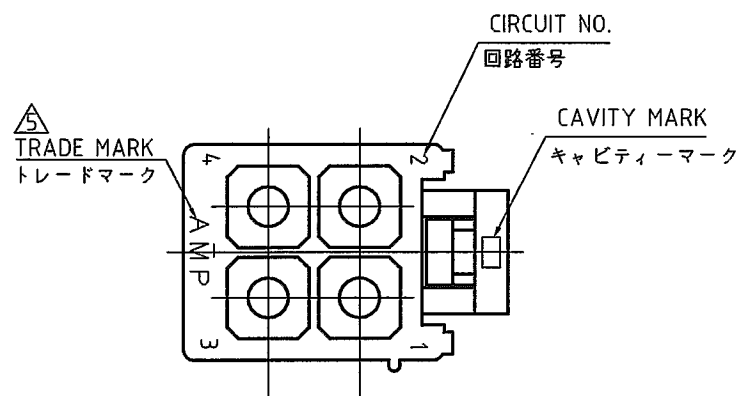


表 1 TABLE 1

TRADE MARK	MANUFACTURING PLACE
- AMP OR AMP	JAPAN
-+AMP OR AMP	CHINA(PRC)

NOTE)

1. APPLIED CONTACT P/N:170359,170360,170361,170362
2. MATING CONN. :CAP HOUSING P/N:172159
3. INSTRUCTION SHEET :IS-105J
4. PRODUCT SPEC :108-5138
5. SEE TABLE1

注記)

1. 使用端子親型番は170359,170360,170361,170362
2. 嵌合相手キャップハウジング型番は口-172159-口
3. 取扱説明書 :IS-105J
4. 製品規格:108-5138
5. 表参照

黒 (BLACK)	1-172167-9
青 (BLUE)	1- ↑ -6
緑 (GREEN)	1- -5
赤 (RED)	1- -2
自然色 (NATURAL)	172167-1
色 (COLOR)	型番 (PART NO.)

THIS DRAWING IS A CONTROLLED DOCUMENT.		DWN A.OISHI 10SEP03	Tyco Electronics AMP K.K. Kawasaki, Japan	
DIMENSIONS: 単位: 耗 MM		CHK M.SHINDO 10 SEP.03	NAME 名称 MINI UNIVERSAL MATE-N-LOK PLUG HOUSING 4Pos. (UL94V-0)	
TOLERANCES UNLESS OTHERWISE SPECIFIED: 一般公差		APVD M.SHINDO 10 SEP.03	DRAWING NO 番号 A3 00779 C-172167	
0 PLC ± 0.3 1 PLC ± 0.3 2 PLC ± 0.3 3 PLC ± - 4 PLC ± - ANGLES ± 1°		PRODUCT SPEC 製品規格 108-5138	RESTRICTED TO	
MATERIAL 材料 66 NYLON UL94V-0		APPLICATION SPEC 取付適用規格	SCALE 尺度 3:1	SHEET 1 OF 1
FINISH 仕上		WEIGHT	REV F	
CUSTOMER DRAWING				